

Backlighting Wide-High efficiency series

Product datasheet

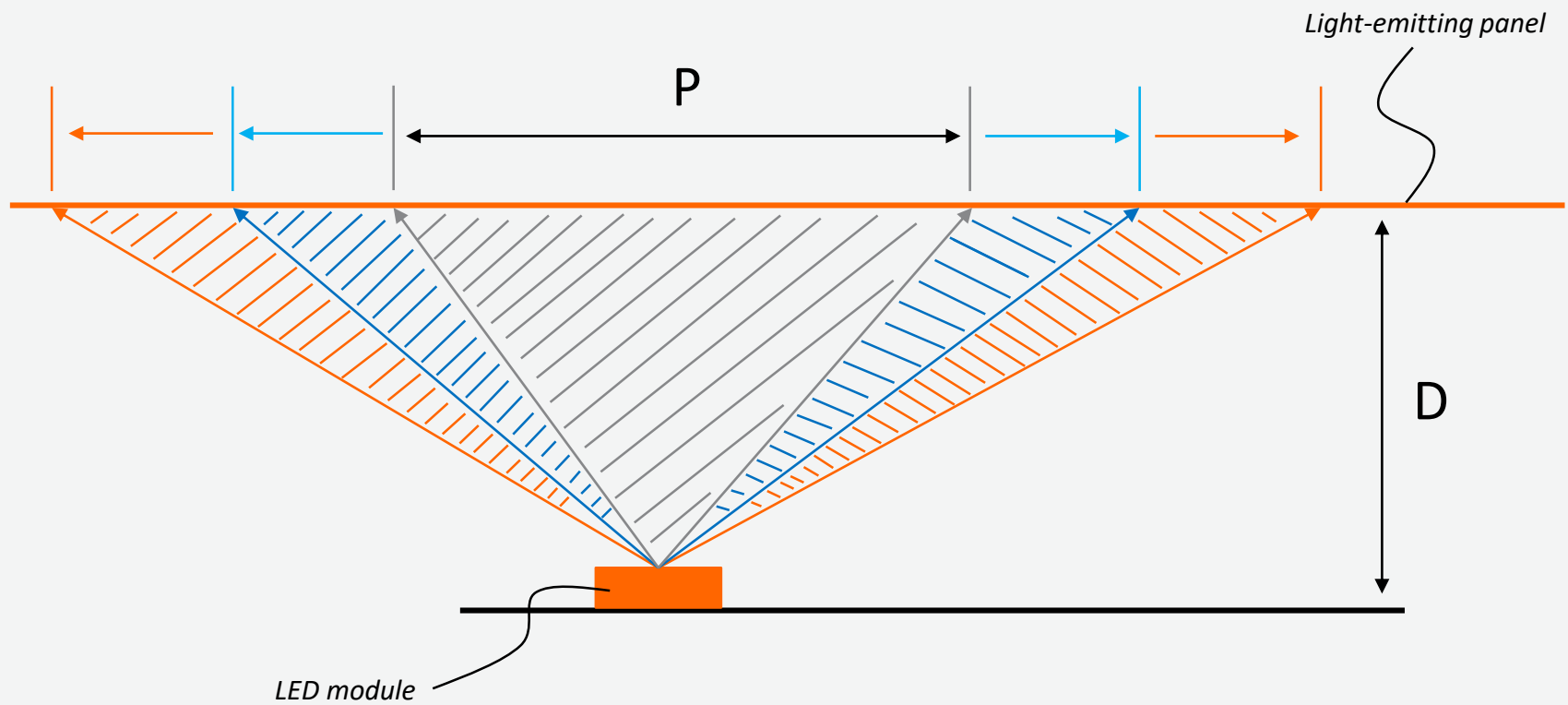
- Wider light spot (3:1)
- 155lm/W



- Signage and illuminated advertising
- Backlighting of channel letters and light box, best for 30mm to 250mm depth (1inch to 10inch)



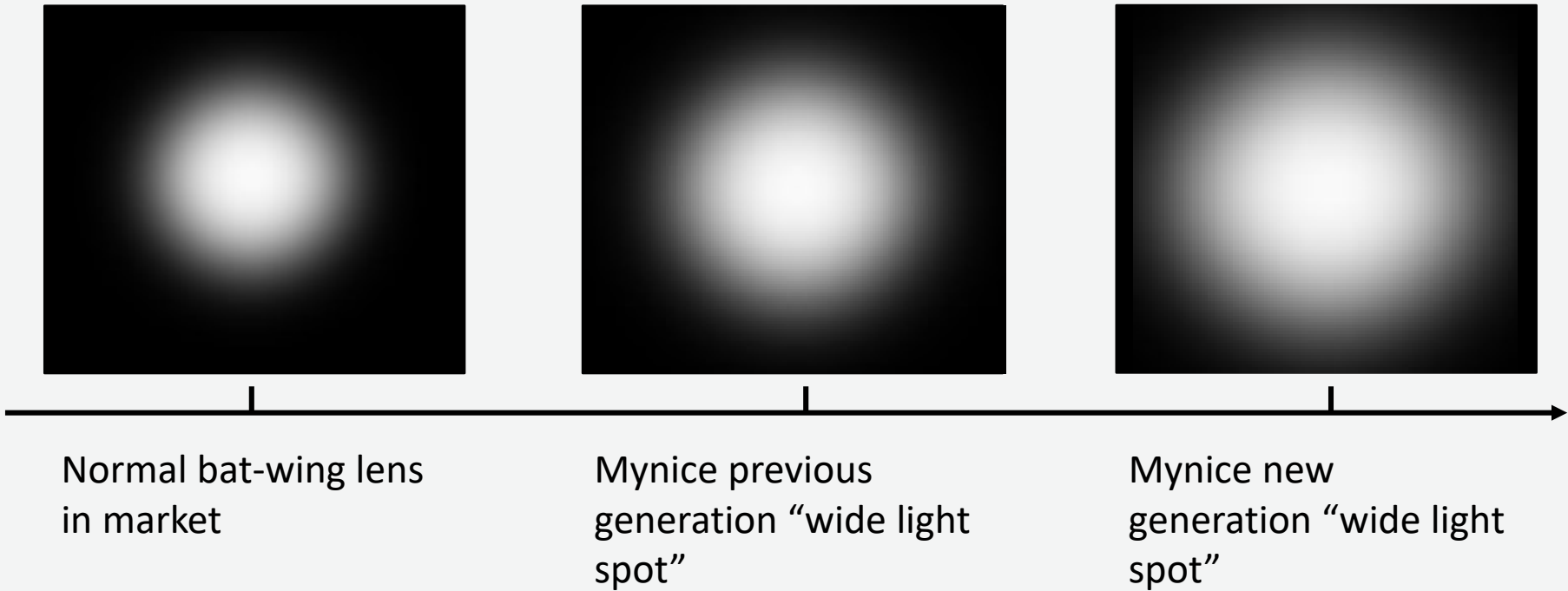
New Lens Design – Wider Light Spot



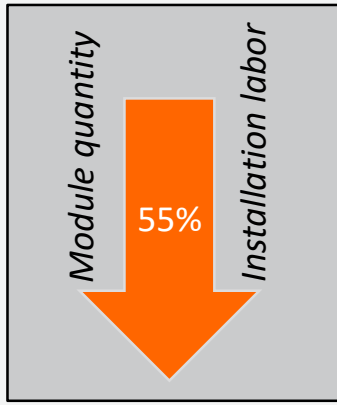
The proportion of “P” and “D” can show the performance of lens design, normally, the bigger proportion, the larger light spot.

| Proportion | Normal bat-wing lens in market | Mynice previous generation “wide light spot” | Mynice new generation “wide light spot” |
|------------|--------------------------------|--|---|
| P:D | 1.5:1 | 2:1 | 3:1 |

New Lens Design – Wider Light Spot



The product with new generation lens can save module quantity and installation labor cost about 55%.



High Efficacy Design

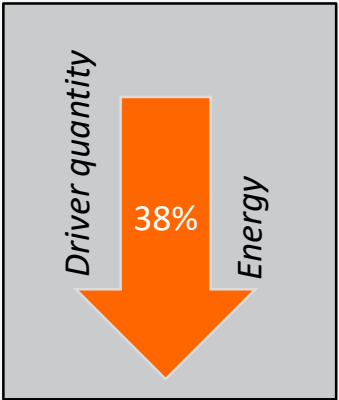


Normal in marketing
Efficiency: ~ 95 lm/W



New generation
Efficiency: 155 lm/W

High efficiency can save power supplier quantity and energy cost about 38%.



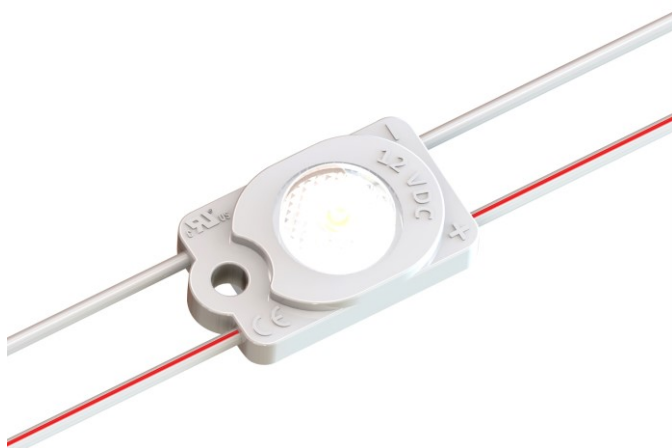
Application calculated data comparison

| Product | L1000 x W1000mm Light box | Normal bat-wing lens in market – 1.5:1 | Mynice previous generation “wide light spot” – 2:1 | Mynice new generation “wide light spot” – 3:1 |
|----------------------------|-----------------------------------|--|--|---|
| 1LED module (D60mm) | module quantity for one light box | 81 modules | 64 modules | 36 modules |
| | light box total lumen | 2754 lm | 2176 lm | 2808 lm |
| | light box total power | 29 W | 23 W | 18 W |
| 2LED module (D75mm) | module quantity for one light box | 55 modules | 45 modules | 25 modules |
| | light box total lumen | 3740 lm | 3060 lm | 3875 lm |
| | light box total power | 40 W | 32 W | 25 W |
| 3LED module (D90mm) | module quantity for one light box | 36 modules | 31 modules | 16 modules |
| | light box total lumen | 3672 lm | 3162 lm | 3720 lm |
| | light box total power | 39 W | 33 W | 24 W |
| 4LED module (D120mm) | module quantity for one light box | 20 modules | 16 modules | 9 modules |
| | light box total lumen | 2720 lm | 2176 lm | 2790 lm |
| | light box total power | 29 W | 23 W | 18 W |

- Based on same light box brightness:

- Save 55% module cost and installation labor cost
- Save 38% power supplier cost and energy cost

Backlighting Wide-High efficacy – BWH05



- M21GW31A-H(Constant voltage)
- M21GW31D-H(Constant current)

Product features

- 12VDC
- 78 lm/module (white)
- 155 lm/W (white)
- Beam angle 175°
- CE marked and UL listed

Electrical data

| Product Description | Typical Voltage | Energy Consumption (W/module) | Energy Consumption (W/chain) | Connecting Quantity (modules/chain) | Energy Consumption (W/ft.) |
|---------------------|-----------------|-------------------------------|------------------------------|-------------------------------------|----------------------------|
| M21GW31A-H | 12VDC | 0.5 | 25 | 50 | 1.13 |
| M21GW31D-H | 12VDC | 0.5 | 25 | 35 | 1.13 |

Photometrical data

| Product Description | Light color (designation) | Color (CCT) | Color Rendering Index | Typical Brightness (lumen/module) | Typical Brightness (lumen/chain) | Typical Brightness (lumen/ft.) |
|---------------------|---------------------------|--------------|-----------------------|-----------------------------------|----------------------------------|--------------------------------|
| M21GW31A-H | White | 5000K-17000K | Ra > 70 | 78 | 3900 | 176 |
| M21GW31D-H | White | 5000K-17000K | Ra > 70 | 78 | 2730 | 176 |

Backlighting Wide-High efficacy – BWH10



- M22GW31A-H(Constant voltage)
- M22GW31D-H(Constant current)

Product features

- 12VDC
- 155 lm/module (white)
- 155 lm/W (white)
- Beam angle 175°
- CE marked and UL listed

Electrical data

| Product Description | Typical Voltage | Energy Consumption (W/module) | Energy Consumption (W/chain) | Connecting Quantity (modules/chain) | Energy Consumption (W/ft.) |
|---------------------|-----------------|-------------------------------|------------------------------|-------------------------------------|----------------------------|
| M22GW31A-H | 12VDC | 1 | 30 | 30 | 1.6 |
| M22GW31D-H | 12VDC | 1 | 30 | 25 | 1.6 |

Photometrical data

| Product Description | Light color (designation) | Color (CCT) | Color Rendering Index | Typical Brightness (lumen/module) | Typical Brightness (lumen/chain) | Typical Brightness (lumen/ft.) |
|---------------------|---------------------------|--------------|-----------------------|-----------------------------------|----------------------------------|--------------------------------|
| M22GW31A-H | White | 5000K-17000K | Ra > 70 | 155 | 4650 | 249 |
| M22GW31D-H | White | 5000K-17000K | Ra > 70 | 155 | 3875 | 249 |

Backlighting Wide-High efficacy – BWH15



- M23GW31A-H(Constant voltage)
- M23GW31D-H(Constant current)

Product features

- 12VDC
- 233 lm/module (white)
- 155 lm/W (white)
- Beam angle 175°
- CE marked and UL listed

Electrical data

| Product Description | Typical Voltage | Energy Consumption (W/module) | Energy Consumption (W/chain) | Connecting Quantity (modules/chain) | Energy Consumption (W/ft.) |
|---------------------|-----------------|-------------------------------|------------------------------|-------------------------------------|----------------------------|
| M23GW31A-H | 12VDC | 1.5 | 30 | 20 | 2.18 |
| M23GW31D-H | 12VDC | 1.5 | 30 | 20 | 2.18 |

Photometrical data

| Product Description | Light color (designation) | Color (CCT) | Color Rendering Index | Typical Brightness (lumen/module) | Typical Brightness (lumen/chain) | Typical Brightness (lumen/ft.) |
|---------------------|---------------------------|--------------|-----------------------|-----------------------------------|----------------------------------|--------------------------------|
| M23GW31A-H | White | 5000K-17000K | Ra > 70 | 233 | 4660 | 338 |
| M23GW31D-H | White | 5000K-17000K | Ra > 70 | 233 | 4660 | 338 |

Backlighting Wide-High efficacy – BWH20



- M24GW31A-H(Constant voltage)
- M24GW31D-H(Constant current)

Product features

- 12VDC
- 310 lm/module (white)
- 155 lm/W (white)
- Beam angle 175°
- CE marked and UL listed

Electrical data

| Product Description | Typical Voltage | Energy Consumption (W/module) | Energy Consumption (W/chain) | Connecting Quantity (modules/chain) | Energy Consumption (W/ft.) |
|---------------------|-----------------|-------------------------------|------------------------------|-------------------------------------|----------------------------|
| M24GW31A-H | 12VDC | 2 | 40 | 20 | 2.65 |
| M24GW31D-H | 12VDC | 2 | 40 | 15 | 2.65 |

Photometrical data

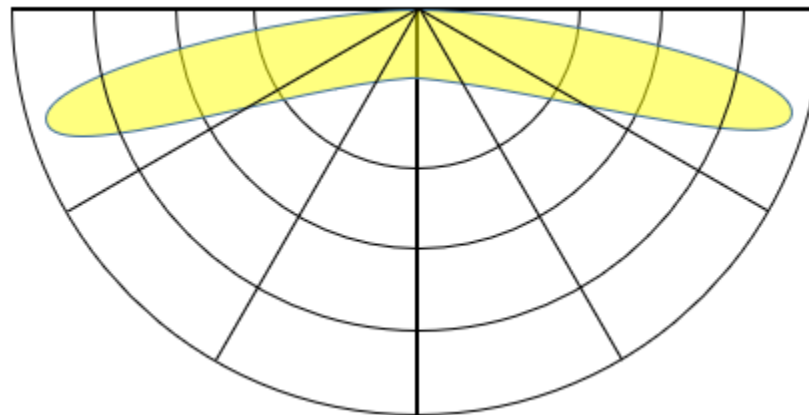
| Product Description | Light color (designation) | Color (CCT) | Color Rendering Index | Typical Brightness (lumen/module) | Typical Brightness (lumen/chain) | Typical Brightness (lumen/ft.) |
|---------------------|---------------------------|--------------|-----------------------|-----------------------------------|----------------------------------|--------------------------------|
| M24GW31A-H | White | 5000K-17000K | Ra > 70 | 310 | 6200 | 411 |
| M24GW31D-H | White | 5000K-17000K | Ra > 70 | 310 | 4650 | 411 |

Backlighting Wide-High efficacy series product datasheet

Environmental and Application Conditions

| | |
|---|----------------------------------|
| Operating Environment (t_a) | -25°C to +55°C |
| Storage Temperature Range (t_s) | -40°C to +85°C |
| Max. operating (case) temperature (t_c) | 80°C |
| IP Rating | IP67 |
| Lifetime (L70B50) | 50,000 hours |
| Dimming mode | Dimmable |
| Cutting Resolution | Cut on wire between every module |

Light distribution

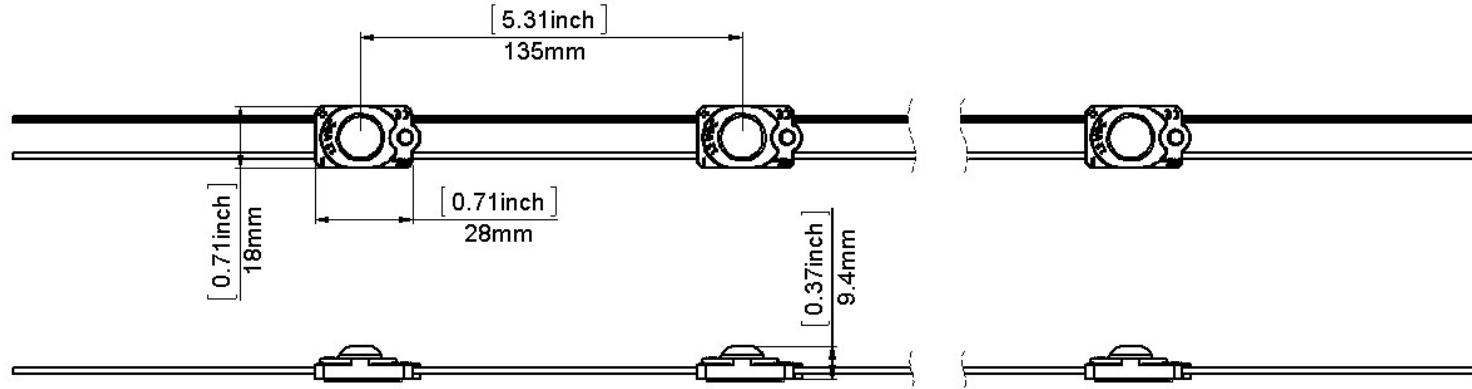


Beam angle: 175°

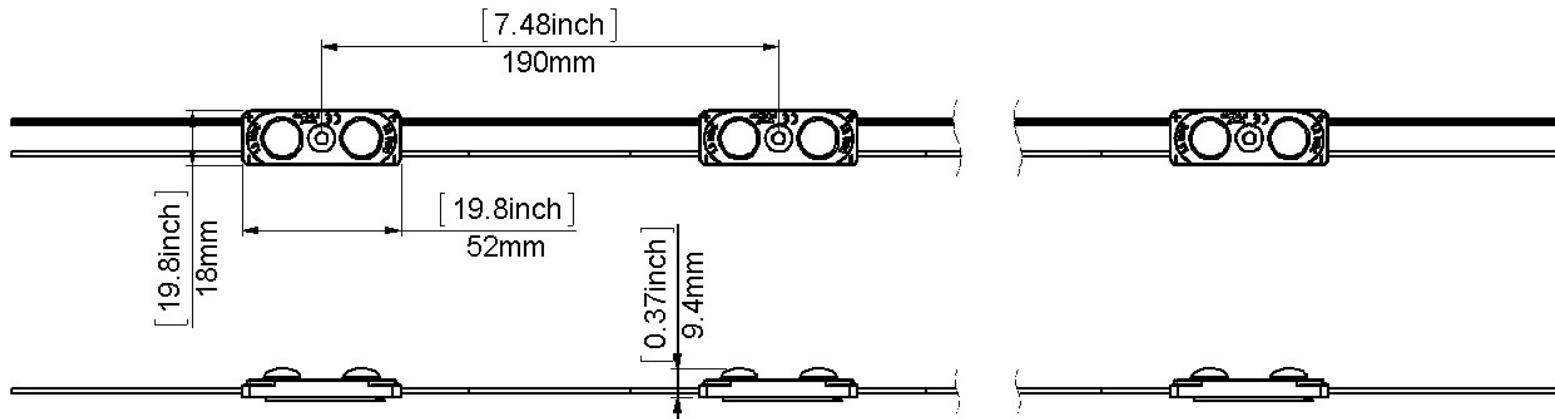
Backlighting Wide-High efficacy series product datasheet

Product line drawing

BWH05



BWH10

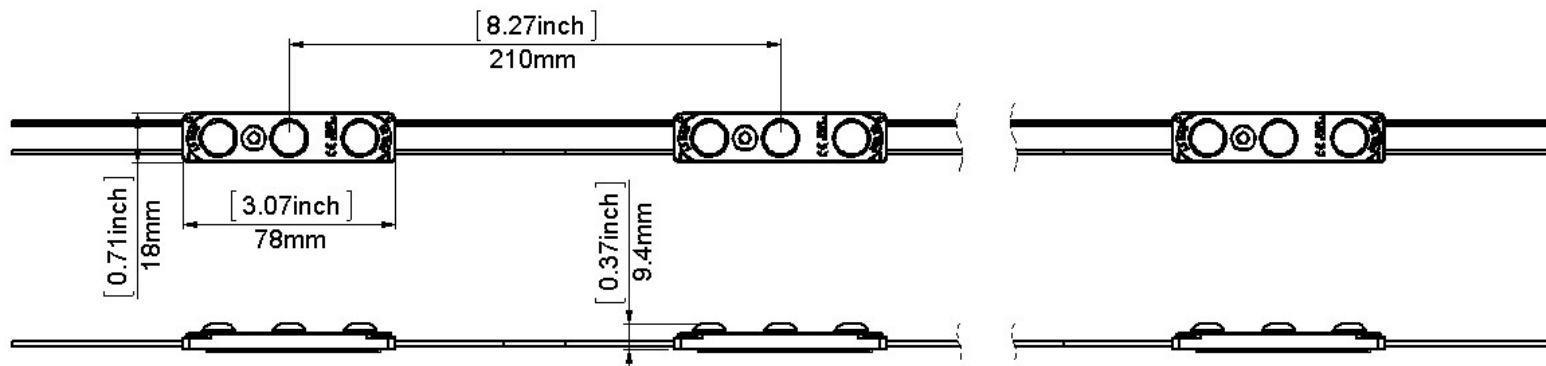


* Client can customize the modules distance (center to center) based on requirements.

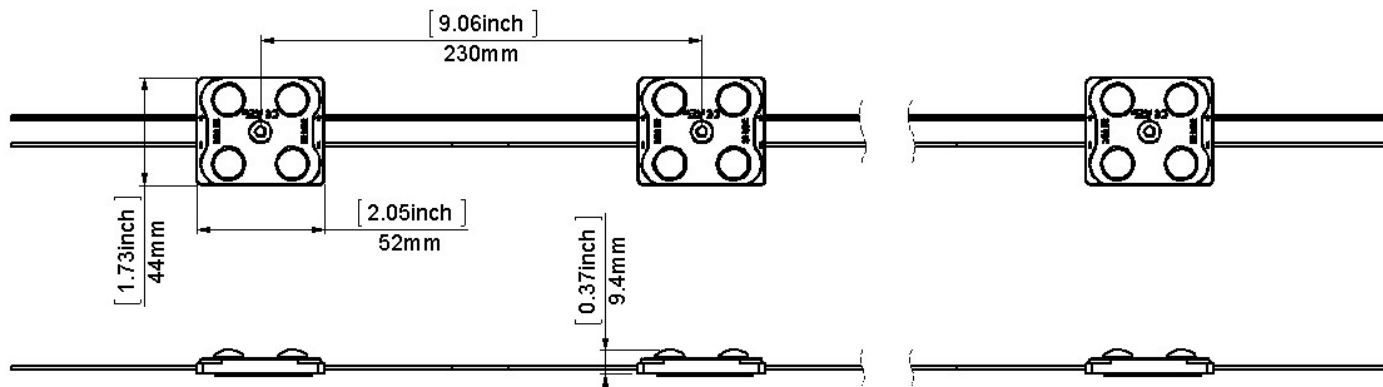
Backlighting Wide-High efficacy series product datasheet

Product line drawing

BWH15



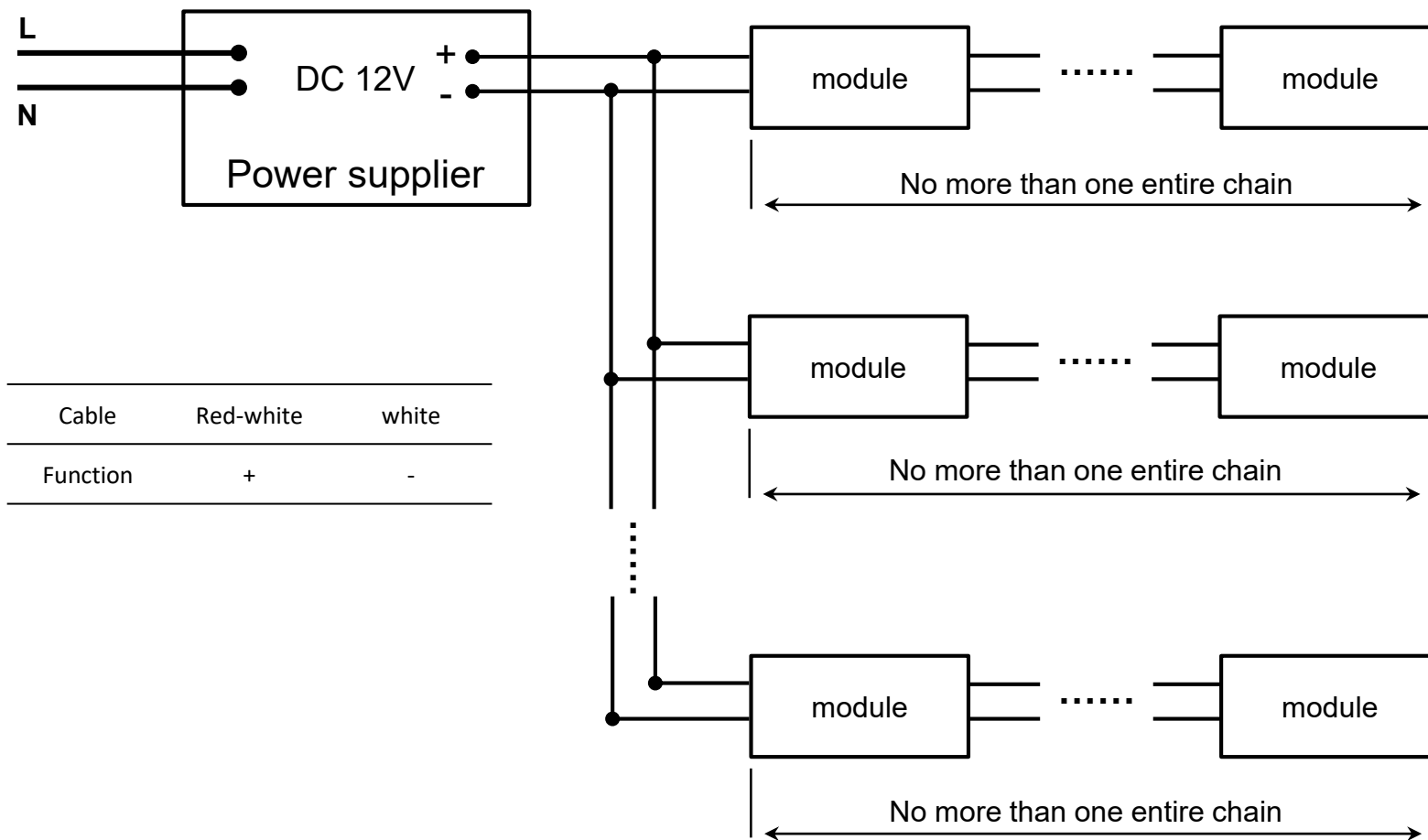
BWH20



* Client can customize the modules distance (center to center) based on requirements.

Backlighting Wide-High efficacy series product datasheet

Wiring method



* The secondary cable recommend > AGW18, < 1 meter

Backlighting Wide-High efficacy series product datasheet

Package

| Product description | Package unit (modules/carton box) | Package unit (chains/carton box) | Carton box Dimensions (length x width x height) | Volume | Gross weight |
|---------------------|-----------------------------------|----------------------------------|---|--------|--------------|
| M21GW31A(D)-H | | | | | |
| M22GW31A(D)-H | | | | | |
| M23GW31A(D)-H | | | | | |
| M24GW31A(D)-H | | | | | |

Additional product information

- Installation of LED modules (with power supplies) needs to be made under consideration of all valid regulations and norms.
- Installation by qualified electrician only.
- Parallel connection is mandatory for safe electrical operation. Serial connection of LED modules is discouraged. Unbalanced voltage drop in serial connection can cause hazardous overload
- Electrical contact is achieved with the contact cables or the terminals of the module. Please refer to the technical data for maximum number of LED modules that can be operated on one control gear.
- To avoid mechanical damage, the LED modules have to be attached securely to the intended mounting surface. It is recommended to avoid heavy vibration.
- LED modules are dimmable by means of PWM (pulse width modulation).