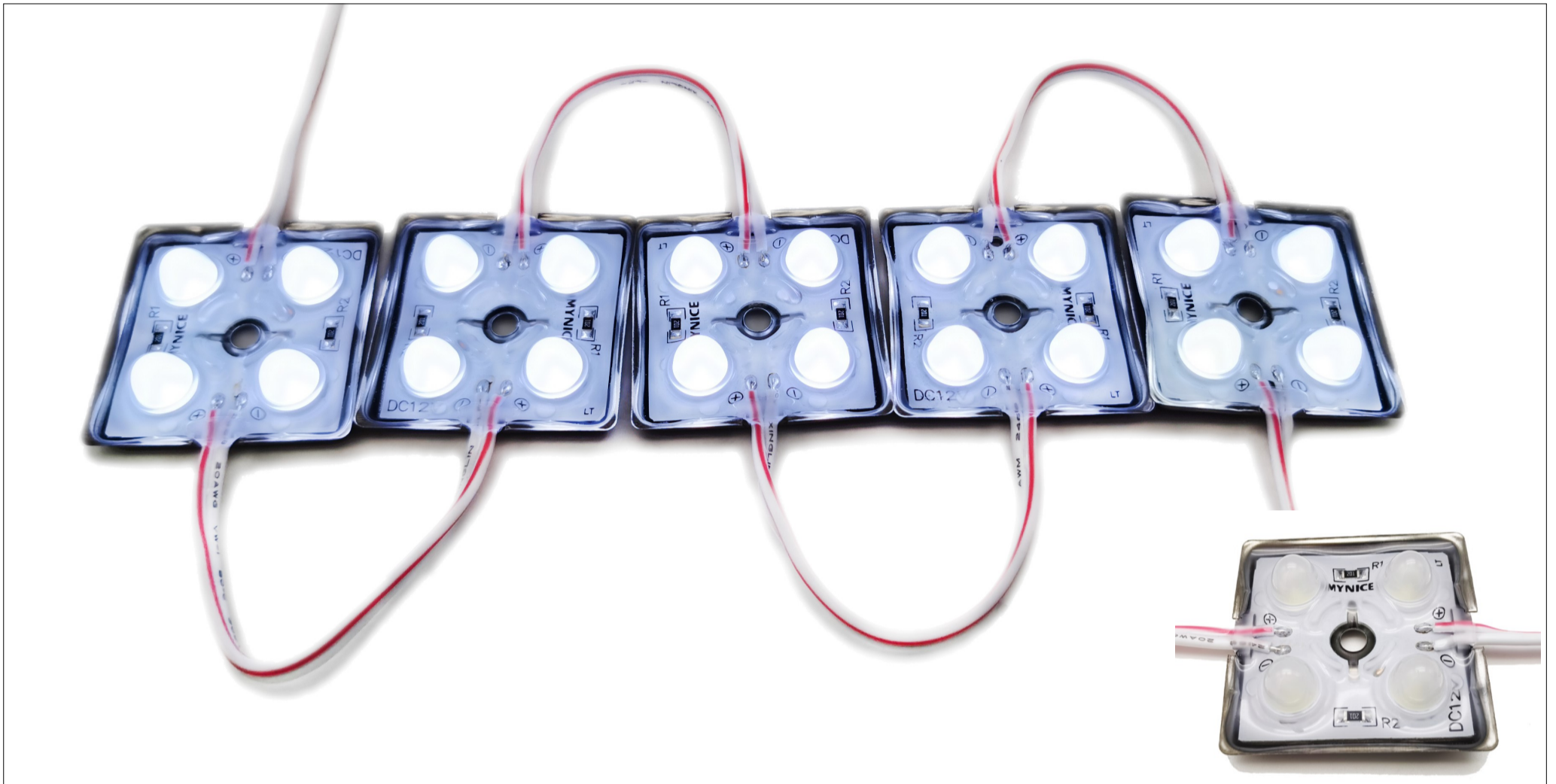


Product Data Sheet

M54GX22A

2020.10

M54GX22A



Features

- High quality SMD 2835 LED, low lumen drop,
- No brightness difference for full angle due to special light distribution design according to real application characteristics for pixel modules,
- Thickened corrosion resistant metal shell, excellent heat dissipation performance, firm and durability,
- Engineering grade PU potting material with strong adhesion, excellent weather and corrosion resistance,
- Single module can be cuttable, more flexible and convenient for application,
- Hole size for panel: 9mm, suitable for 1~3mm thick panel,
- CCT: 2700K-20000K, and R、G、B available,
- Warranty: 3 years.

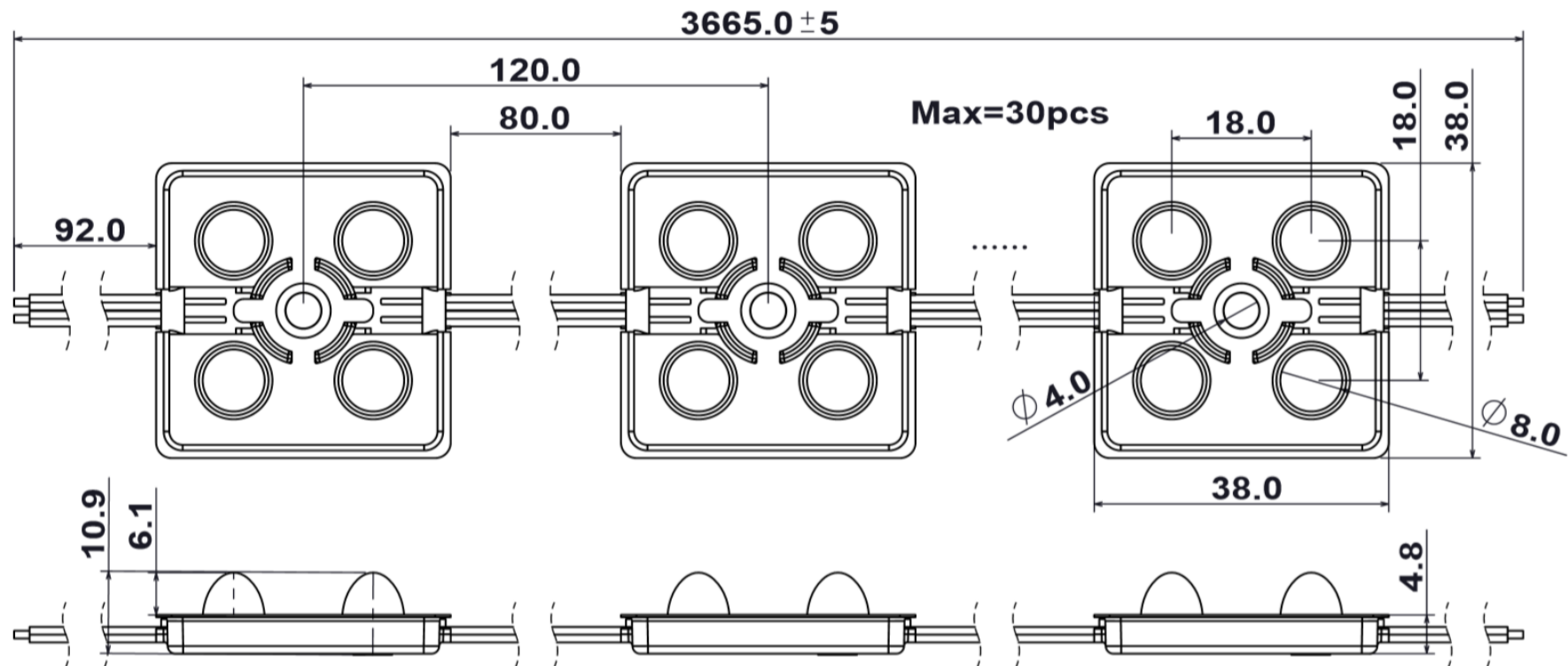
Application

- Landscape lighting, Perforated character, Outline decoration, Building façade decoration, etc.

Installation

- Rivet or self tapping screw

Size (Units: mm)



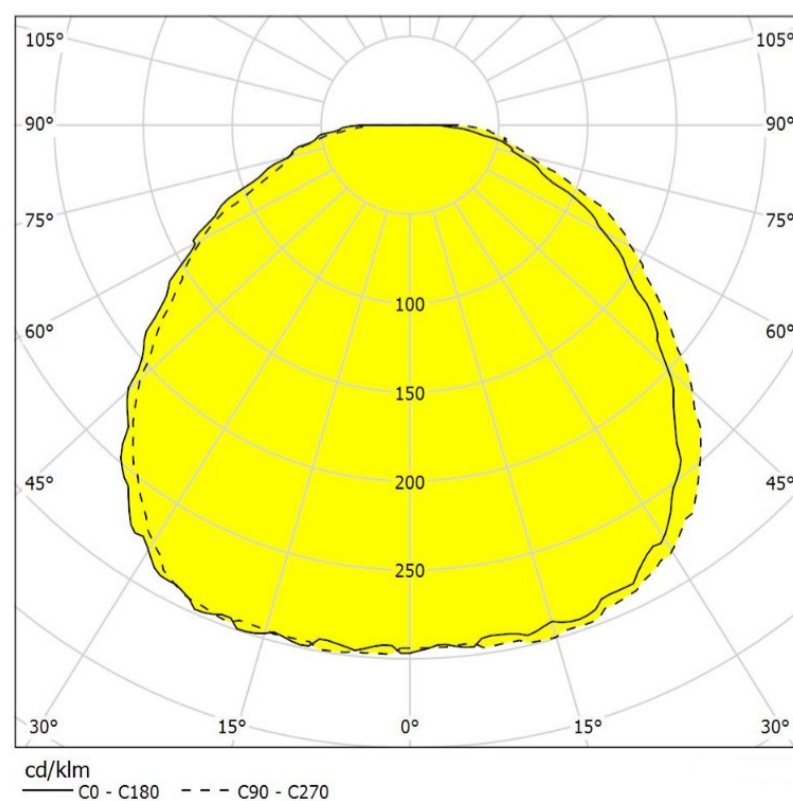
Parameter

P/N	Voltage (DC/V)	Watt/pcs (W)	CCT (K)	Wavelength (nm)	Flux/pcs (lm)	Efficacy (lm/W)	Beam angle (°)
M54GW22A	12	0.72	2700-20000	\	35	48	120
M54GR22A	12	0.72	\	619-635	16	22	
M54GG22A	12	0.72	\	512-528	32	44	
M54GB22A	12	0.72	\	463-475	8	11	

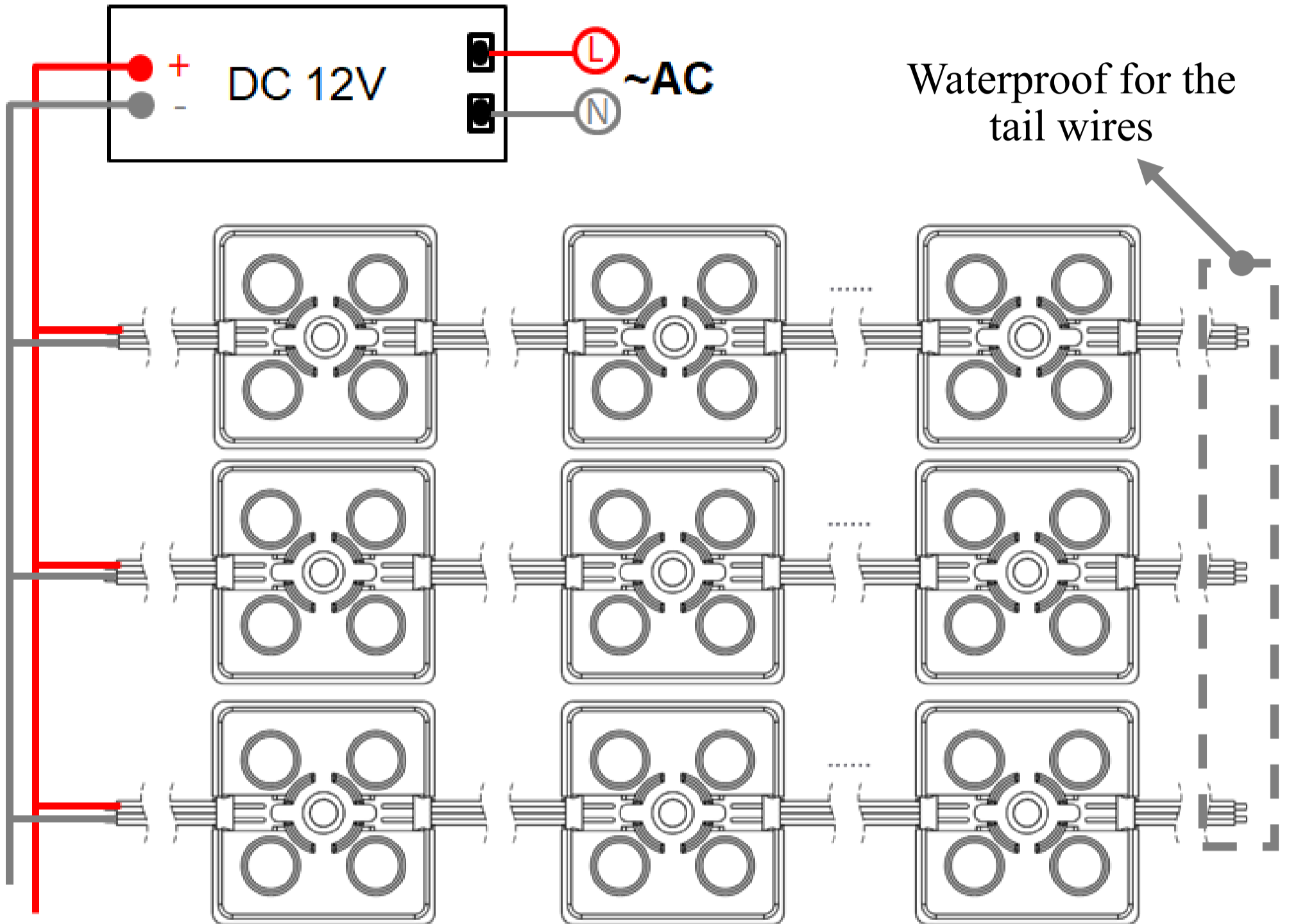
- Test temperature: $25^{\circ}\text{C} \pm 2^{\circ}\text{C}$

- All above value is typical value, with tolerance for power $\pm 5\%$, flux $\pm 15\%$, wavelength: ± 2 , beam angle $\pm 5^{\circ}$ 。

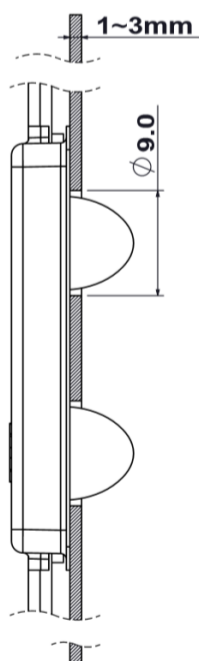
Light distribution



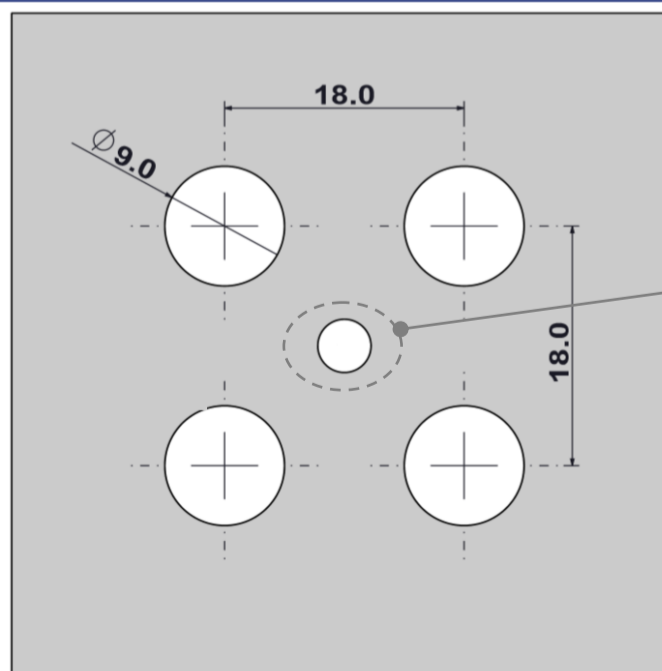
Connection





Size for Installation



Applicable for panel thickness: 1~3mm



Panel hole size shall be in accordance with above dimension and spacing

-  Drill a hole, if using rivet installation.
-  No need to drill a hole, if using self tapping screw installation.

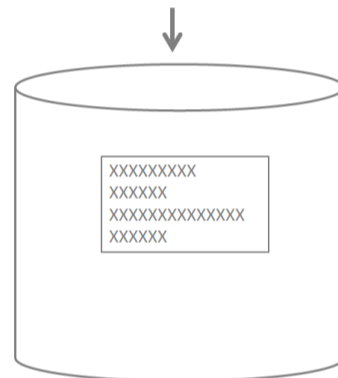
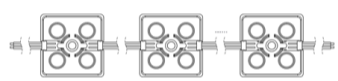
Application environment

Operating temperature	-25°C~50°C
Storage temperature	-40°C~70°C
Maximum surface temperature (T _c)	70°C

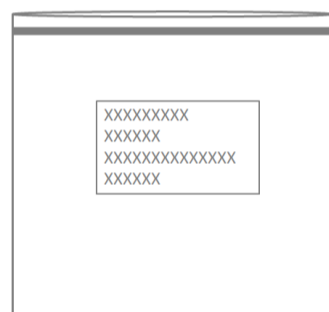
Package

Description	Net weight/pcs	Carton	Net weight/Carton
M54GX22A	\	\	\

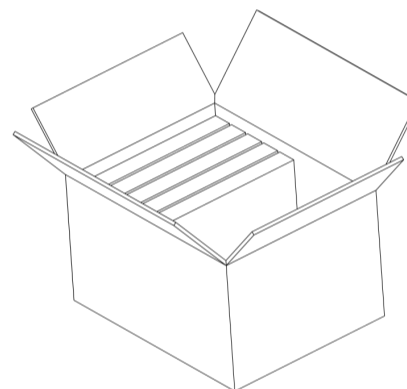
- Weight tolerance: +/-10%



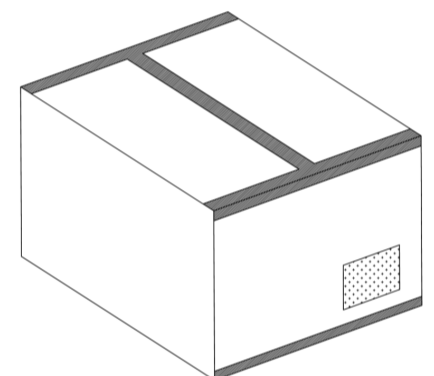
Put the product into electrostatic bag



Seal the electrostatic bag



Pack into carton



Seal the carton

Note

- Must considered the diameter and length of extension wires for modules based on possible maximum current, load power and wire loss.
- Please ensure that the power supply/controller is of adequate power to operate the total load.
- Please ensure that the power supply/controller with correct output parameters (driving mode, voltage, current) for LED modules.
- Recommended to choose high quality power supply or controller with short circuit protection, overvoltage protection or overload protection function.
- The maximum quantity connecting module shall not exceed the maximum number of cascade connections.
- For safe electrical operation, the whole series of modules must be connected in parallel. Because serial connection may lead to too large voltage drop, thus affecting the normal operation of the modules.
- To avoid mechanical damage, LED modules must be securely attached to the mounting surface.
- Installation by qualified electrician only.