

Product datasheet



BoxSide Large Plus g2

P/N: M224EW30E-L475mm

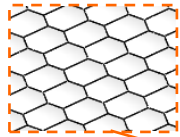
Areas of application

- Signage and illuminated advertising
- Side-lighting of light box, best for 1.2m to 4m length (4.92ft ~ 13.12ft)

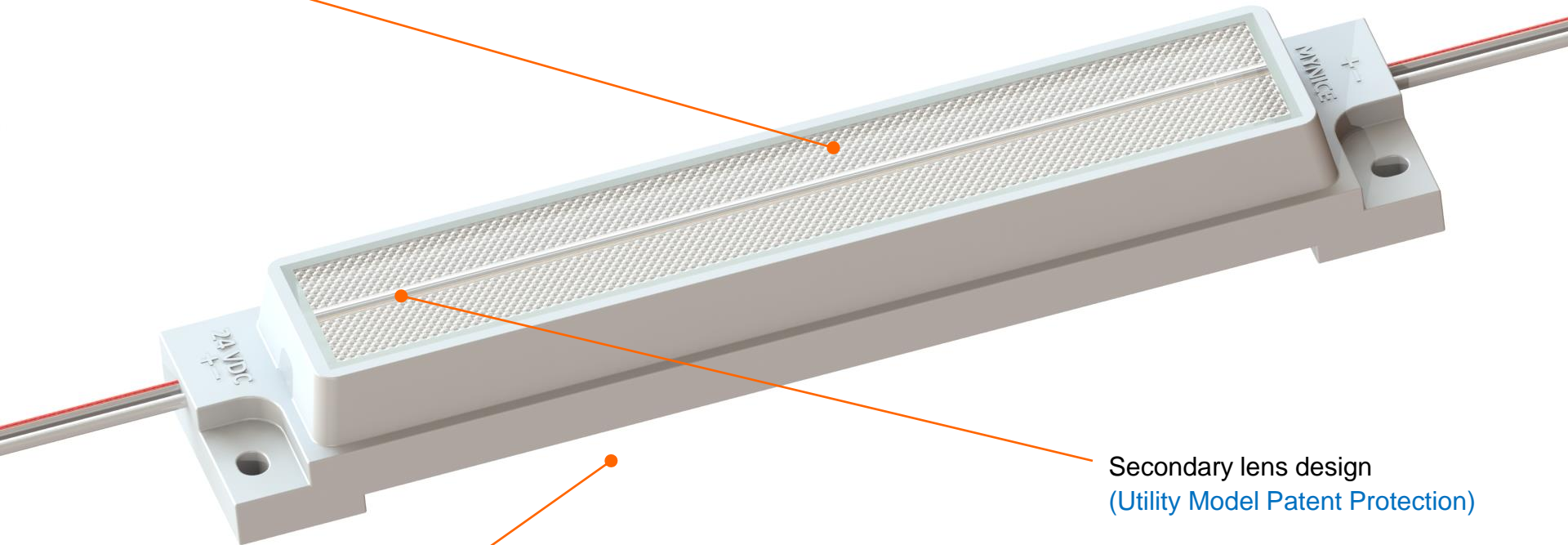
Product main benefits

- Innovation optics design can get excellent homogeneous requirement – 1.5m~4m light box
- Long lifetime (powered by OSRAM LED) - 7 years warranty
- 800 lm/module
- 7.2 W/module





Micro lens design
(Utility Model Patent Protection)



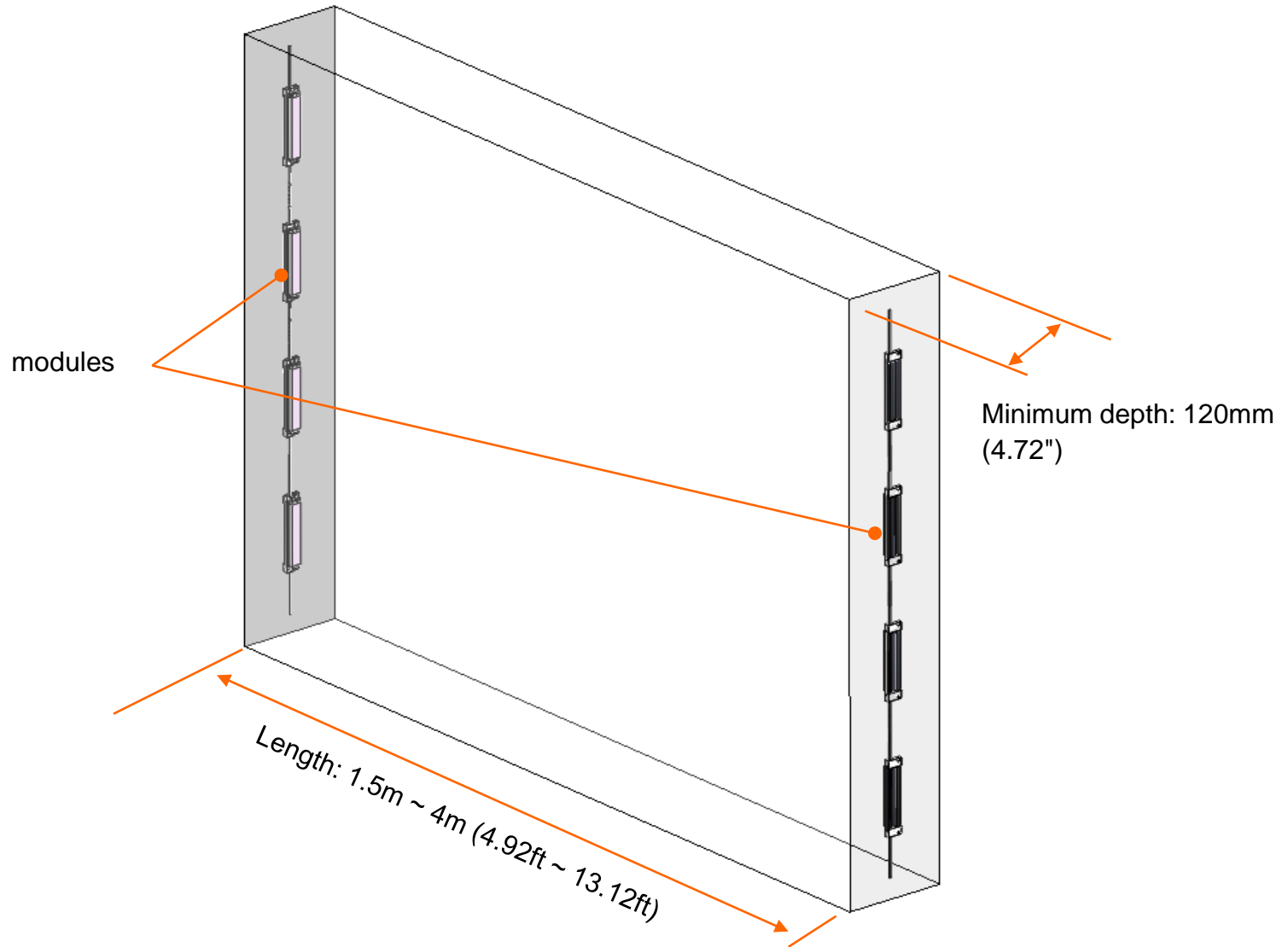
Secondary lens design
(Utility Model Patent Protection)

(Design Patent Protection)



- Homogeneous (>90%) : 😊 😊 😊 😊 😊
- Middle dark area issue: 😊 😊 😊 😊 😊
- Hot spot issue: 😊 😊 😊 😊 😊
- Shadow issue: 😊 😊 😊 😊 😊
- Yellow color issue: 😊 😊 😊 😊 😊

- *Light box size: H1.8m x W1.2m x D0.18m*
- *Total quantity = 5 modules (top) + 5 modules (bottom)*
= 10 modules

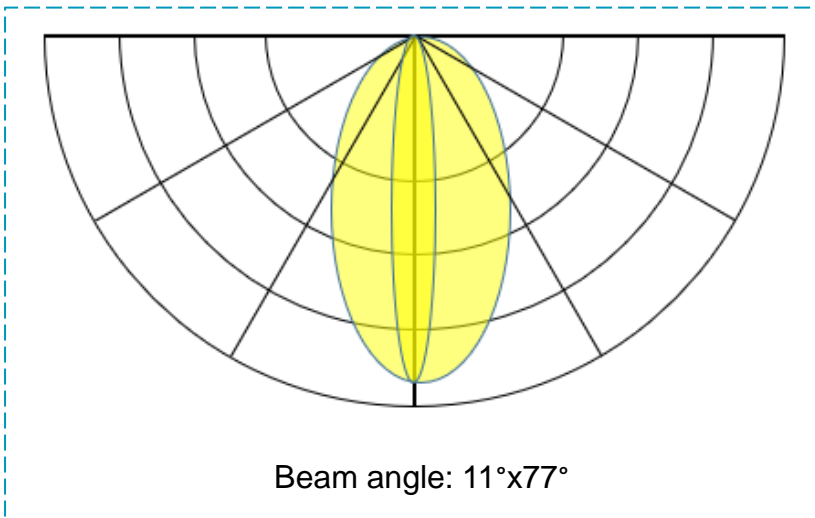


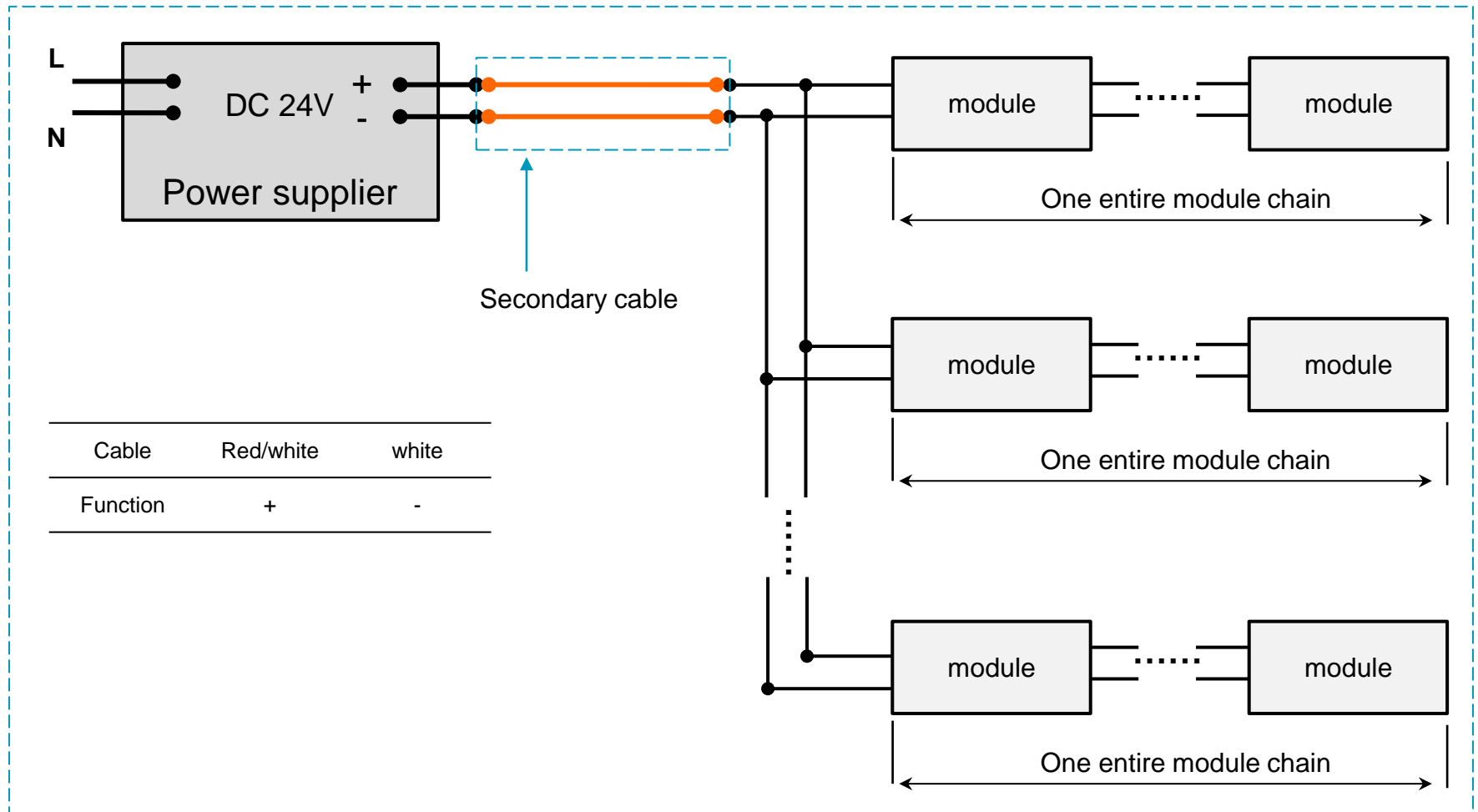
PART NUMBERS	Typical Voltage	Energy Consumption (W/module)	Energy Consumption (W/chain)	Energy Consumption (W/ft.)	Additional Information (modules/chain)
M224EW30E-L475mm	24VDC	7.2	155	6.29	16

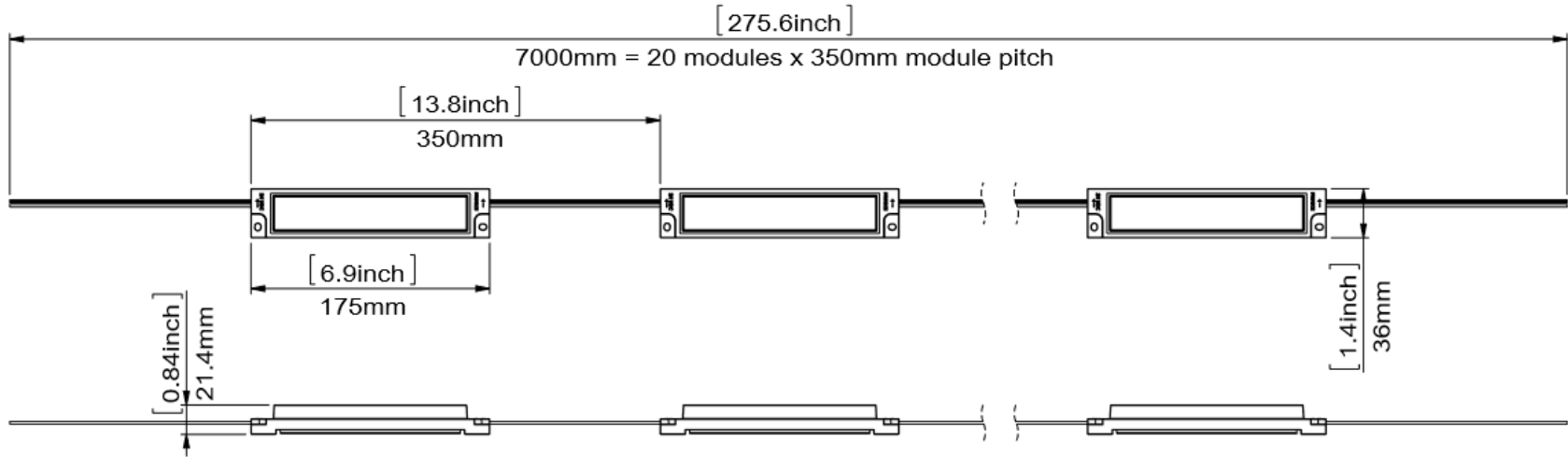
PART NUMBERS	Light color (designation)	Color (CCT, wavelength)	Typical Brightness (lumen/module)	Typical Brightness (lumen/chain)	Typical Brightness (lumen/ft.)
M224EW30E-L475mm	White	3000K-7000K	Ra > 80	800	12800

Application Conditions and light distribution

Operating Environment (t_a)	-25°C to +55°C
Storage Temperature Range (t_s)	-40°C to +85°C
IP Rating	IP67
Lifetime (L70B50)	70,000 hours
Dimming mode	Dimmable
Cutting Resolution	Cut on wire between every module







Product description	Package unit (modules/carton box)	Carton box	Dimensions (length x width x height)
---------------------	-----------------------------------	------------	--------------------------------------

Additional information:

- Installation of LED modules (with power supplies) needs to be made under consideration of all valid regulations and norms.
- Installation by qualified electrician only.
- Parallel connection is mandatory for safe electrical operation. Serial connection of LED modules is discouraged. Unbalanced voltage drop in serial connection can cause hazardous overload
- Electrical contact is achieved with the contact cables or the terminals of the module. Please refer to the technical data for maximum number of LED modules that can be operated on one control gear.
- To avoid mechanical damage, the LED modules have to be attached securely to the intended mounting surface. It is recommended to avoid heavy vibration.
- LED modules are dimmable by means of PWM (pulse width modulation).