

Product datasheet



NT8018

P/N: M23GW25A

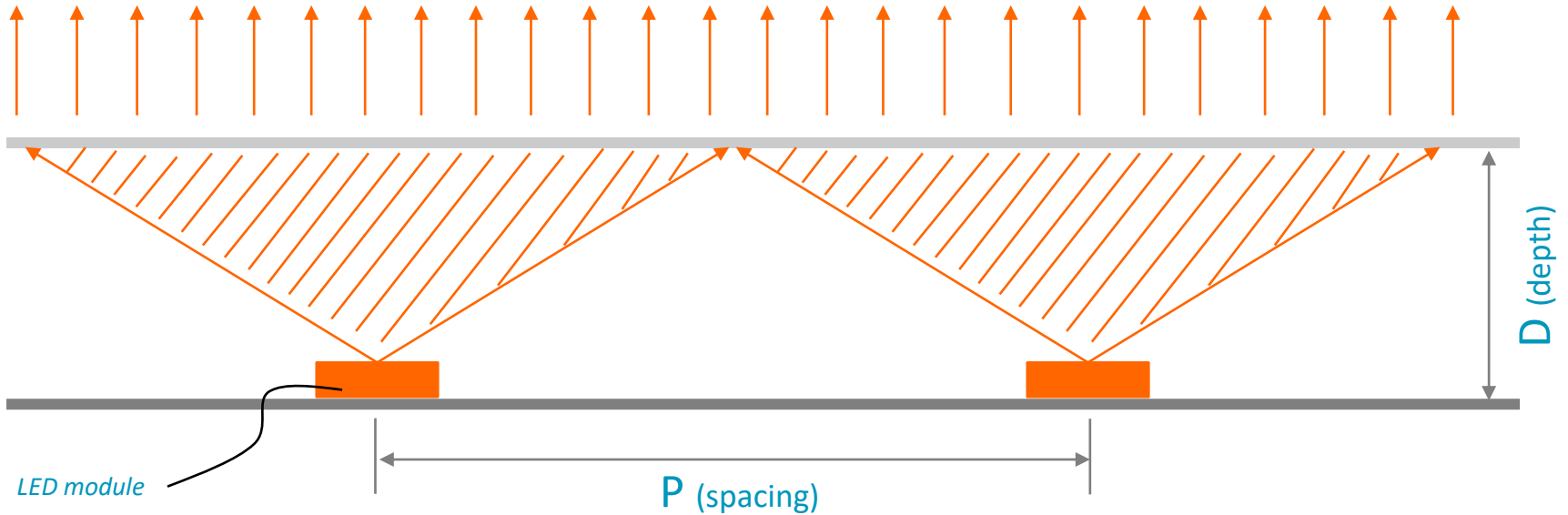
Areas of application

- Signage and illuminated advertising.
- Backlighting of channel letters and light box.
- Best for 50mm to 200mm depth (2inch to 8inch).

Product main benefits

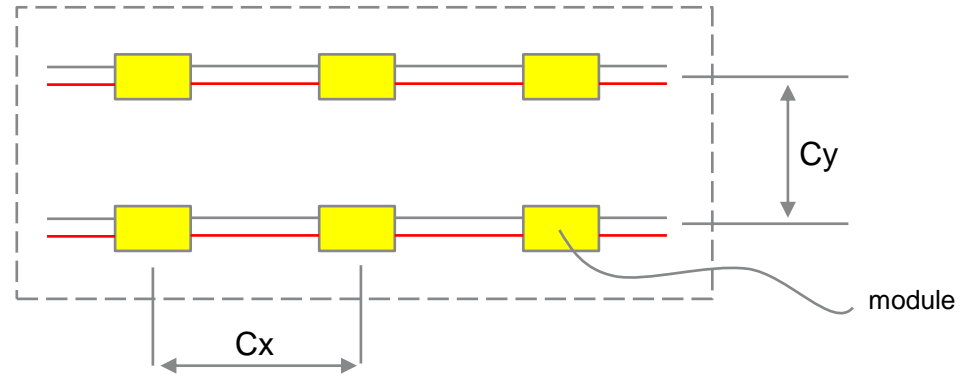
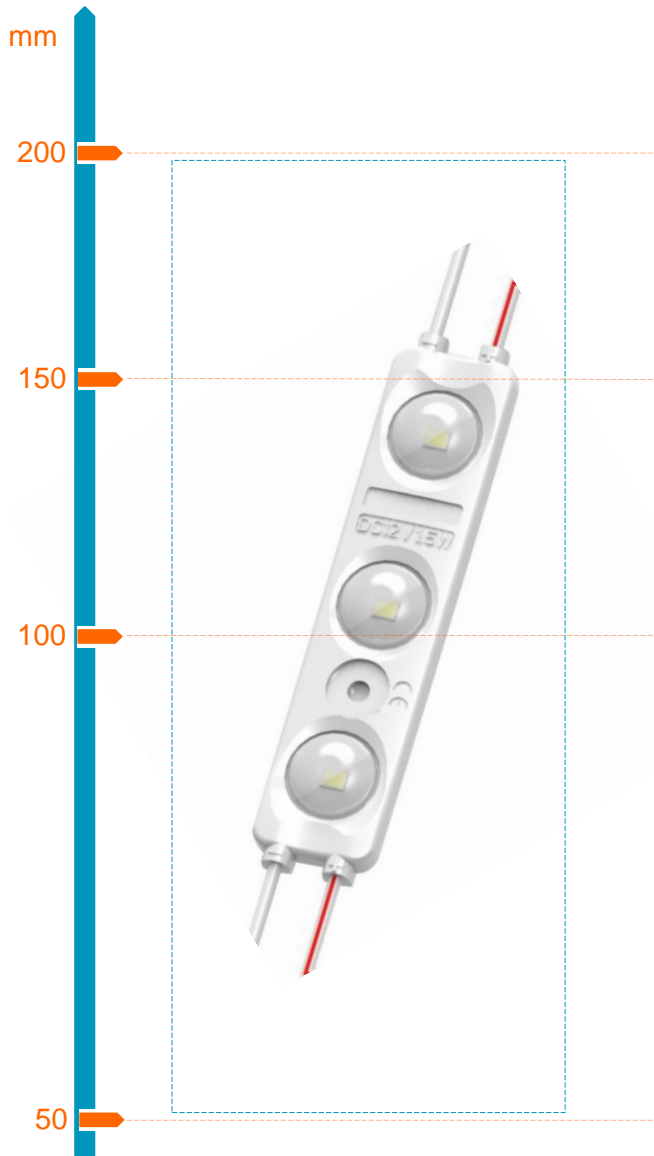
- Good system design (optics/electrical/thermal) to great performance in application.
- 5 Years warranty.
- 2 W/module.
- 200 lm/module.





$$\text{optical performance proportion} = \frac{D(\text{depth})}{P(\text{spacing})} = 1:2$$

- The proportion of “P” and “D” can show the performance of lens optics design.
- The bigger proportion, the wider light spot.



Depth	Cx	Cy	Surface illuminance
100mm	200mm	160mm	~3500lux
150mm	250mm	200mm	~2800lux
200mm	300mm	220mm	~2000lux

Electrical data	PART NUMBERS	Typical Voltage	Energy Consumption (W/module)	Energy Consumption (W/chain)	Energy Consumption (W/ft.)	Additional Information (modules/chain)
NT8018	M23GW25A	12VDC	2	40	3.7	20

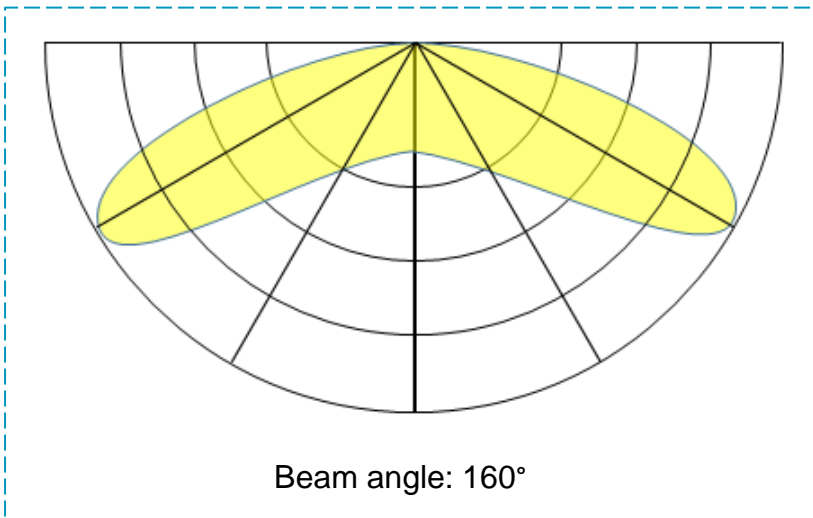
Photometrical data	PART NUMBERS	Light color (designation)	Color (CCT, wavelength)	Typical Brightness (lumen/module)	Typical Brightness (lumen/chain)	Typical Brightness (lumen/ft.)
NT8018	M23GW25A	White	6500K	200	4000	370
NT8018	M23GW25A	Cool white	> 8000K	180	3600	333

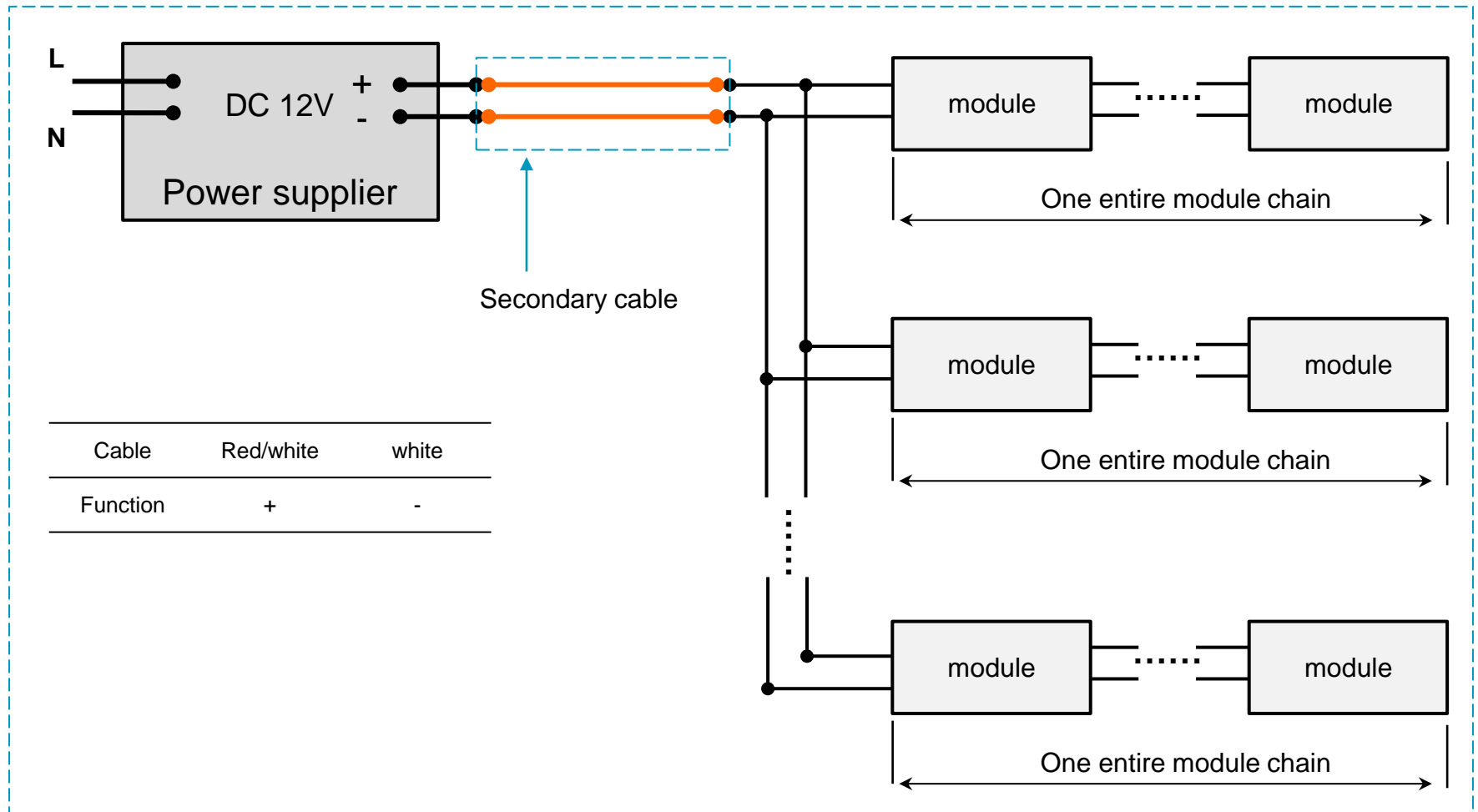
Remark:

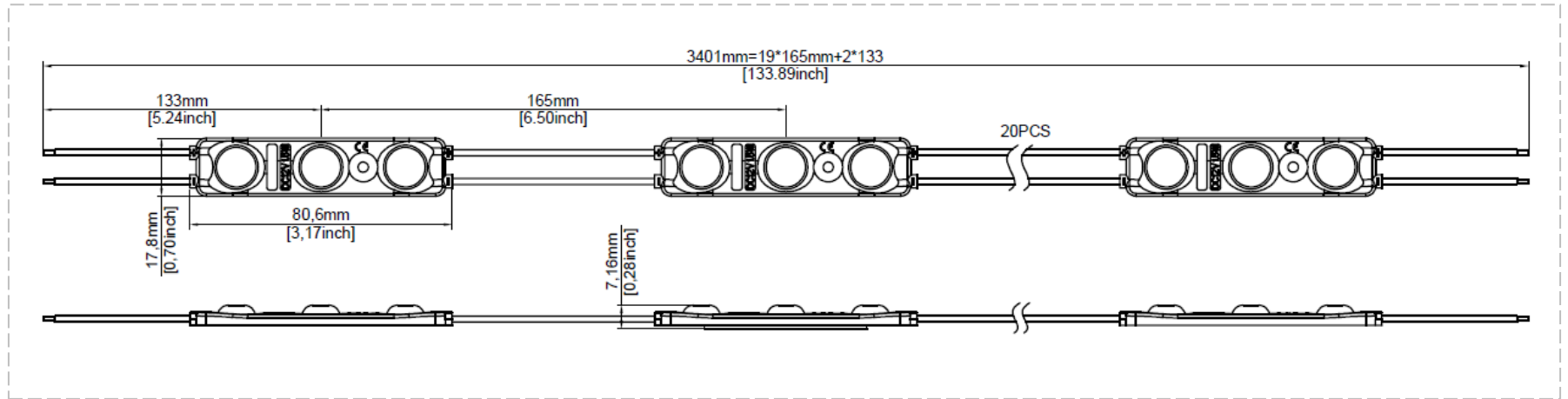
1. *Ranking at $t_a = 25^\circ\text{C}$.*
2. *Constant voltage design.*
3. *Tolerance of measurements for power is $\pm 10\%$.*

Application Conditions and light distribution

Operating Environment (t_a)	-25°C to +60°C
Storage Temperature Range (t_s)	-40°C to +85°C
IP Rating	IP66
Lifetime (L70B50)	50,000 hours
tc temperature	80°C
Dimming mode	Dimmable
Cutting Resolution	Cut on wire between every module







PRODUCTS	PART NUMBERS	Package unit (modules/carton box)	Carton box Dimensions (length x width x height)
NT8018	M23GW25A	1200	52 x 37 x 26 cm

Additional information:

- Installation of LED modules (with power supplies) needs to be made under consideration of all valid regulations and norms.
- Installation by qualified electrician only.
- Parallel connection is mandatory for safe electrical operation. Serial connection of LED modules is discouraged. Unbalanced voltage drop in serial connection can cause hazardous overload
- Electrical contact is achieved with the contact cables or the terminals of the module. Please refer to the technical data for maximum number of LED modules that can be operated on one control gear.
- To avoid mechanical damage, the LED modules have to be attached securely to the intended mounting surface. It is recommended to avoid heavy vibration.
- LED modules are dimmable by means of PWM (pulse width modulation).