

Product datasheet



NT3913

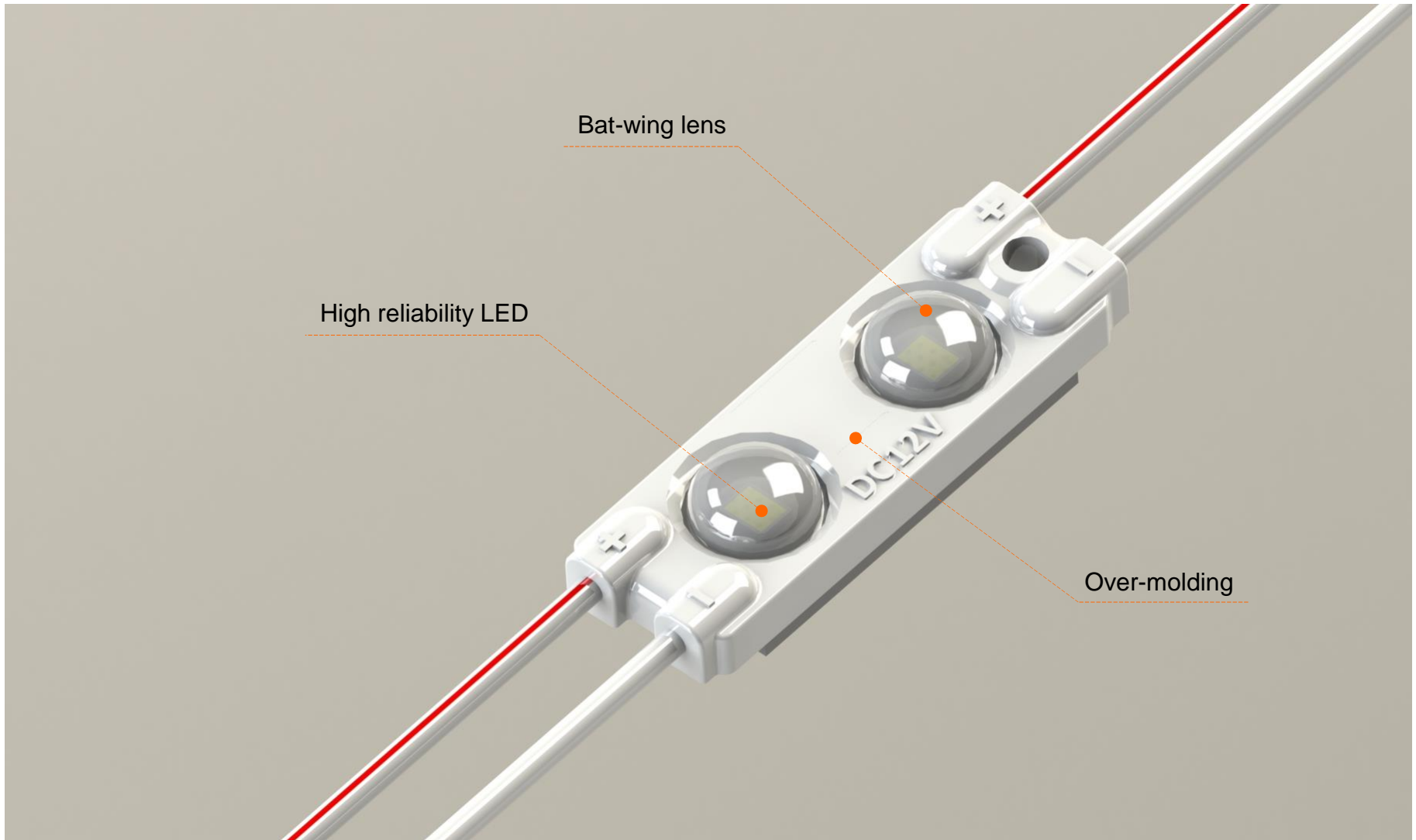
P/N: M22GW28A

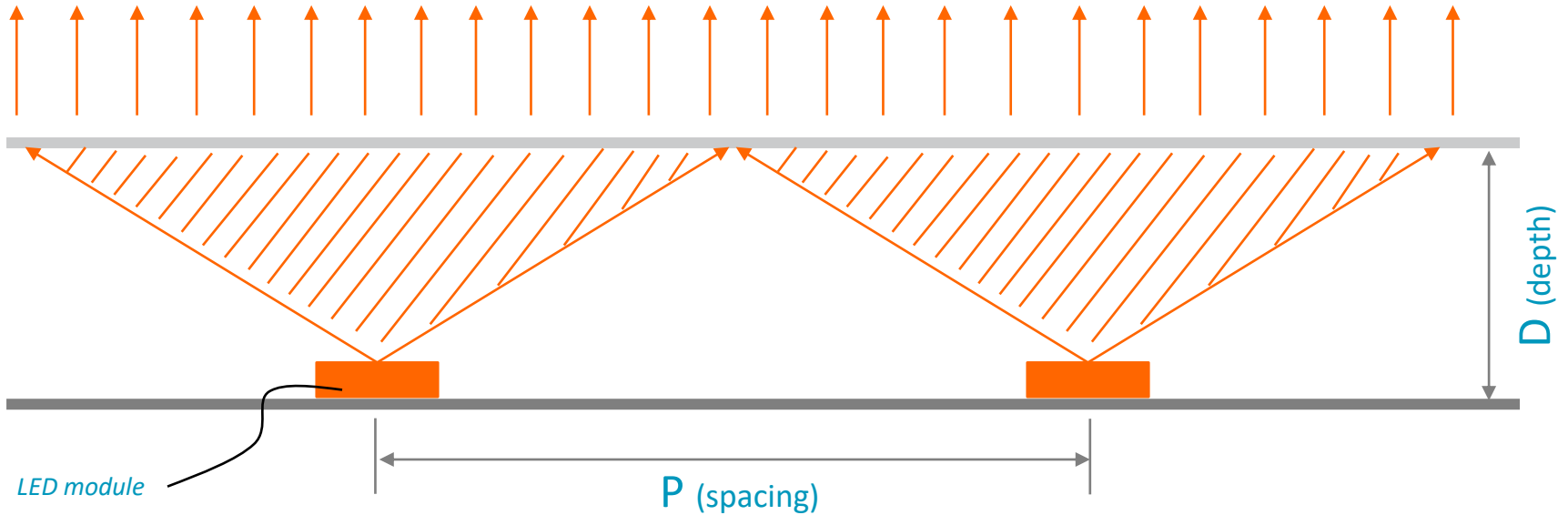
Areas of application

- Signage and illuminated advertising.
- Backlighting of channel letters and light box.
- Best for 50mm to 150mm depth (2inch to 6inch).

Product main benefits

- Good optics (bat-wing lens) design to achieve good optical performance.
- 3 Years warranty.
- 0.92W
- IP66





$$\text{optical performance proportion} = \frac{D(\text{depth})}{P(\text{spacing})} = 1:1.5$$

- The proportion of “P” and “D” can show the performance of lens optics design.
- The bigger proportion, the wider light spot.
- The proportion is for reference from lab, actual layout need based on real application.

Electrical data	Part Numbers	Typical Voltage	Energy Consumption		Additional Information
NT3913	M22GW28A	12VDC	0.92 W/module	18.4 W/chain	30 modules/chain

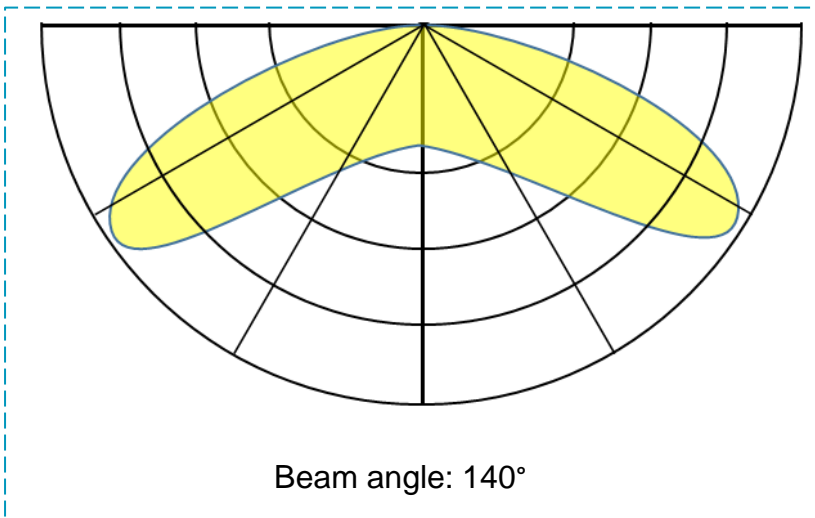
Photometrical data	Part Numbers	Light color (designation)	CCT	Typical Brightness	
NT3913	M22GW28A	White	5000K - 17000K	70 lm/module	1400 lm/chain

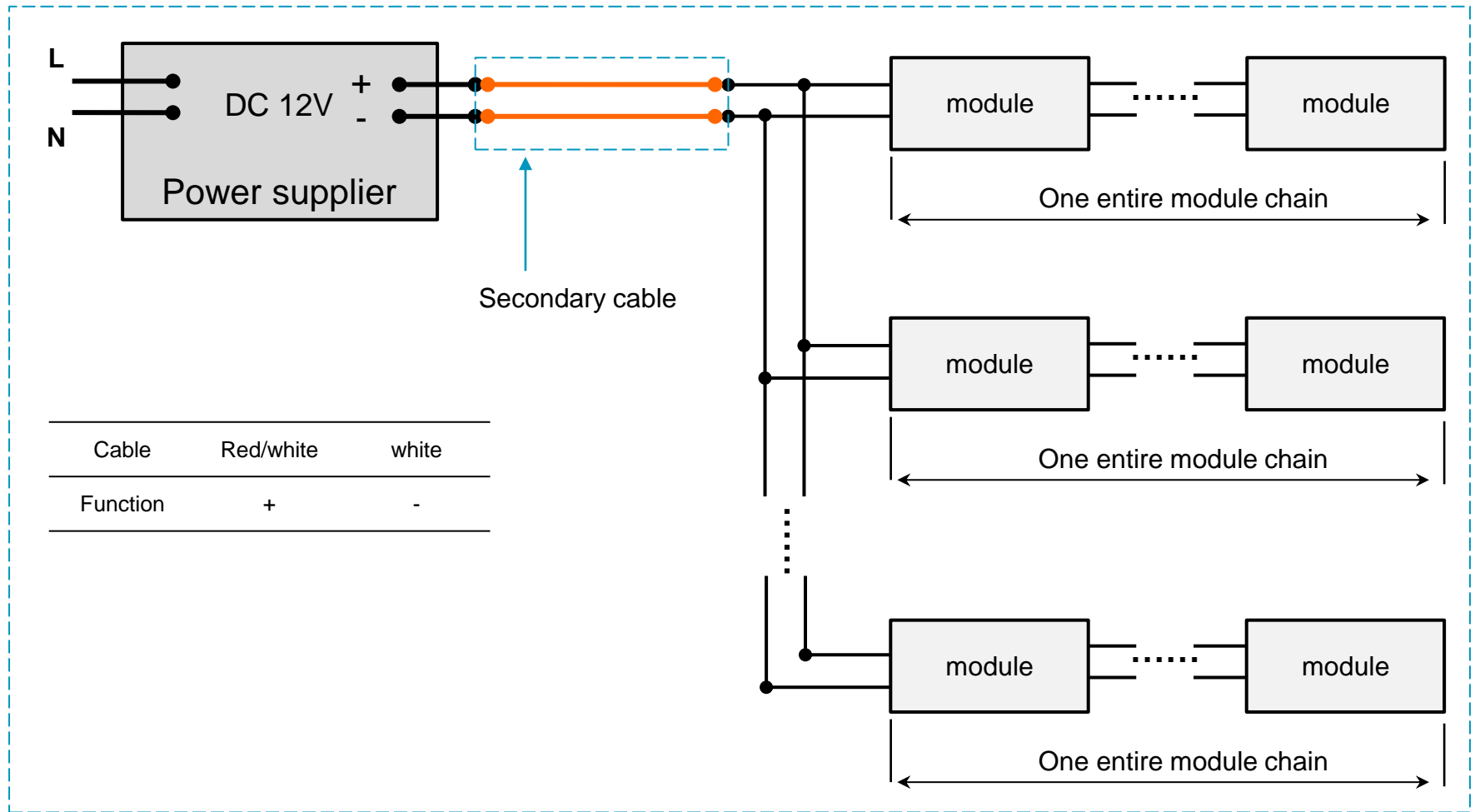
Remark:

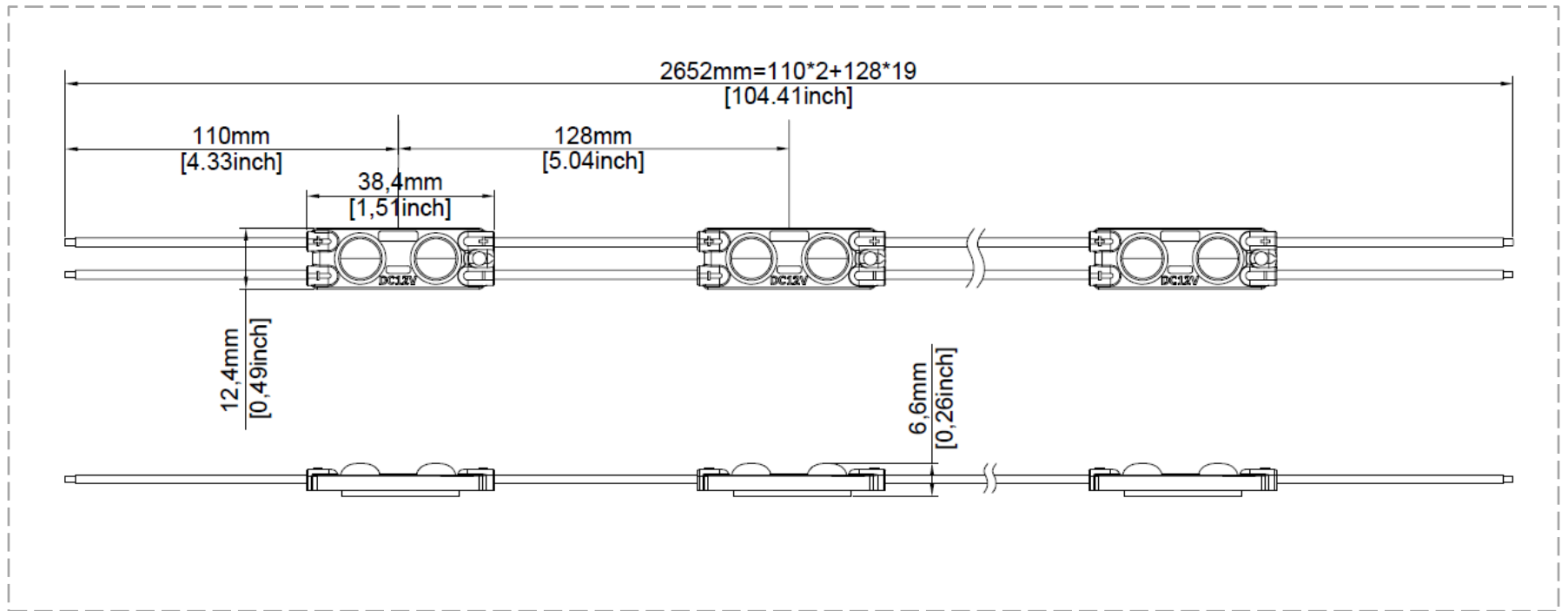
1. *Ranking at $t_a = 25^\circ\text{C}$.*
2. *Constant voltage design.*
3. *Tolerance of measurements for power/lumen are $\pm 10\%$.*

Application Conditions and light distribution

Operating Environment (t_a)	-25°C to +55°C
Storage Temperature Range (t_s)	-40°C to +85°C
IP Rating	IP66
Lifetime (L70B50)	3 years
t_c temperature	80°C
Dimming mode	Dimmable
Cutting Resolution	Cut on wire between every module







PRODUCTS	PART NUMBERS	Package unit (modules/carton box)	Carton box Dimensions (length x width x height)
NT3913	M22Gx28A		52 x 37 x 26 cm

Additional information:

- Installation of LED modules (with power supplies) needs to be made under consideration of all valid regulations and norms.
- Installation by qualified electrician only.
- Parallel connection is mandatory for safe electrical operation. Serial connection of LED modules is discouraged. Unbalanced voltage drop in serial connection can cause hazardous overload
- Electrical contact is achieved with the contact cables or the terminals of the module. Please refer to the technical data for maximum number of LED modules that can be operated on one control gear.
- To avoid mechanical damage, the LED modules have to be attached securely to the intended mounting surface. It is recommended to avoid heavy vibration.
- LED modules are dimmable by means of PWM (pulse width modulation).
- During installation, it is highly recommended to install modules with screws to ensure long-term stability. Other means of securing modules(sealant, vinyl, etc.) are also acceptable.