

Product datasheet



NT5713

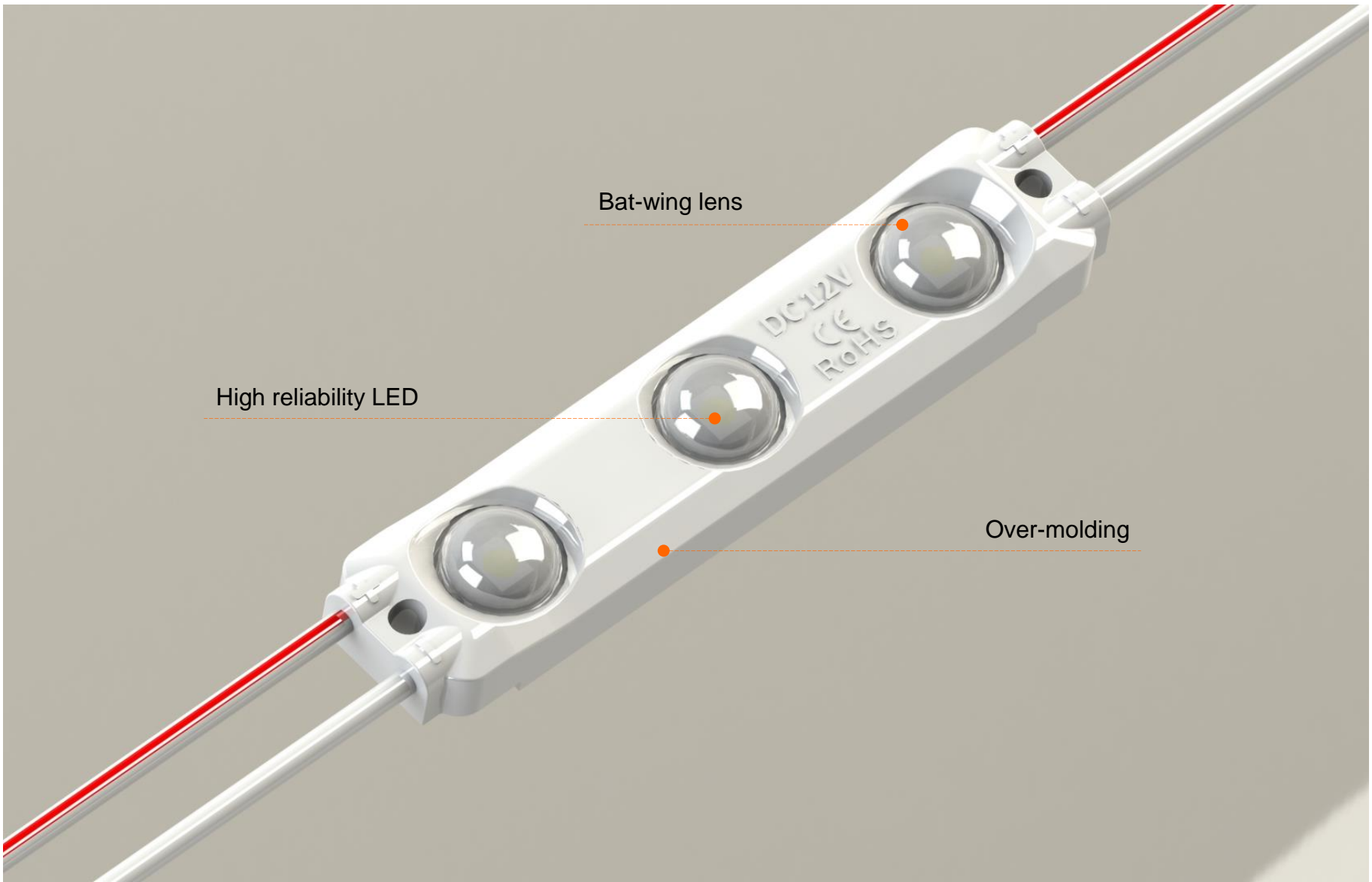
P/N: M23Gx05A

Areas of application

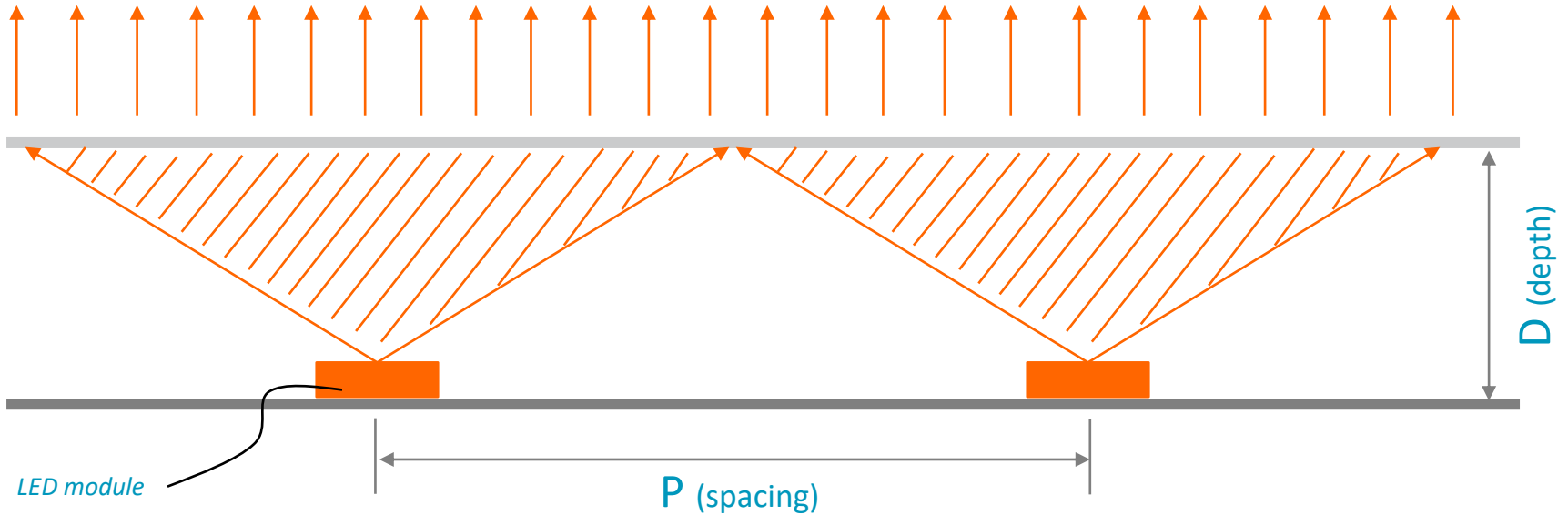
- Signage and illuminated advertising.
- Backlighting of channel letters and light box.
- Best for 50mm to 150mm depth (2inch to 6inch).

Product main benefits

- Good optics (bat-wing lens) design to achieve good optical performance.
- 3 years warranty.
- 1.0 W
- IP66



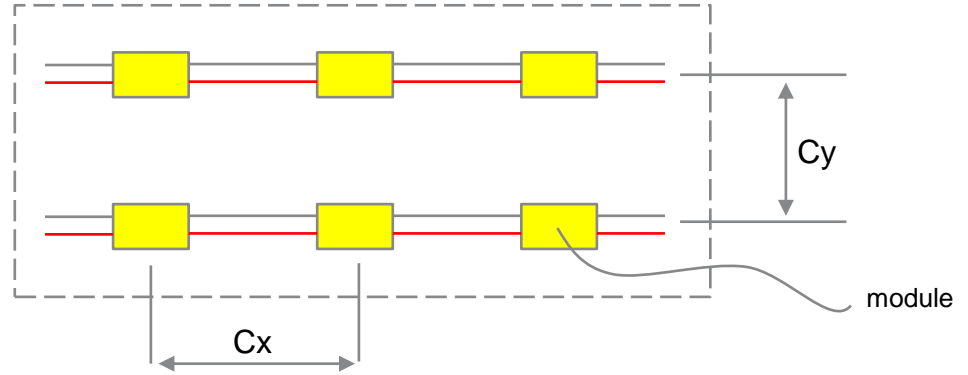
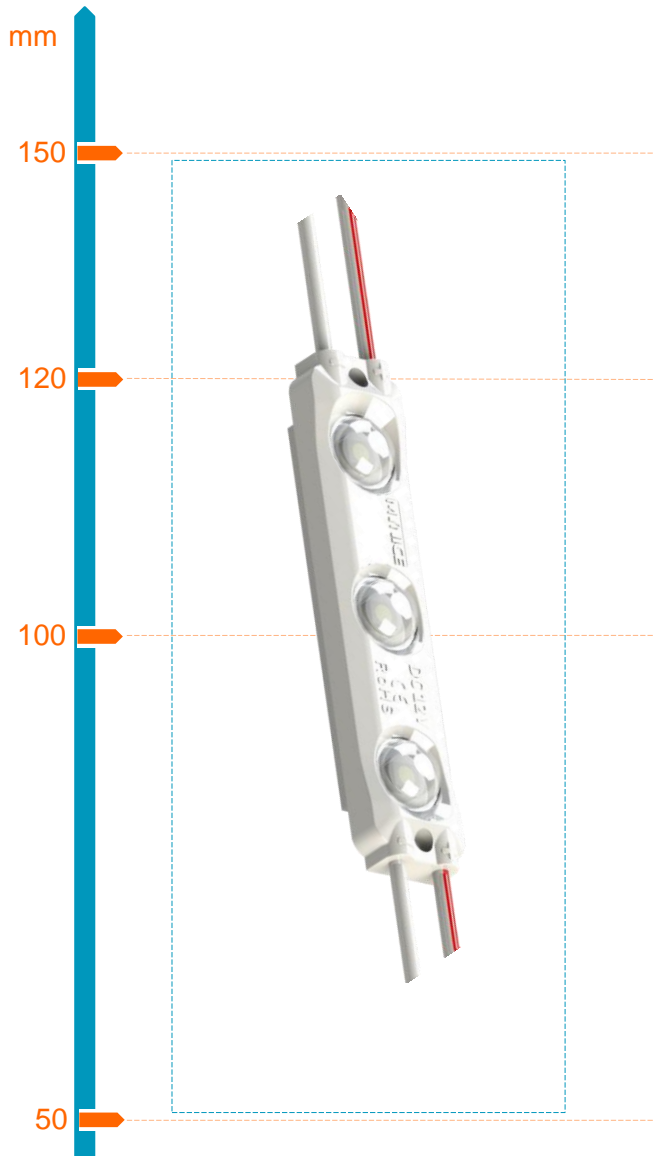
Optics Technology



$$\text{optical performance proportion} = \frac{D(\text{depth})}{P(\text{spacing})} = 1:1.6$$

- The proportion of “P” and “D” can show the performance of lens optics design.
- The bigger proportion, the wider light spot.

Application



Depth	Cx	Cy	Surface illuminance
60mm	100mm	80mm	~2100lux
100mm	140mm	100mm	~1500lux
120mm	160mm	130mm	~1000lux

Electrical

PART NUMBERS	Typical Voltage	Energy Consumption (W/module)	Energy Consumption (W/chain)	Additional Information (modules/chain)
M23GW05A	12VDC	1.0	20	20
M23Gx05A	12VDC	0.72	14.4	20

Remark:

1. Ranking at $t_a = 25^\circ\text{C}$.
2. Constant voltage design.

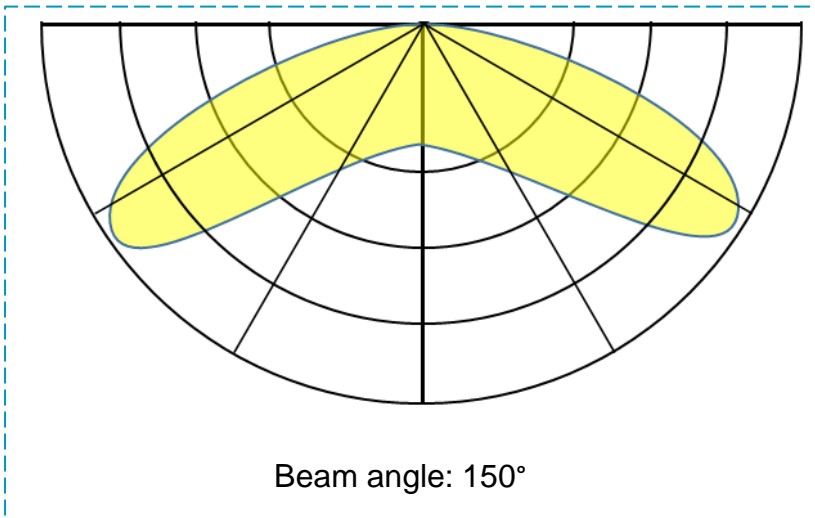
Photometrical data

PART NUMBERS	Module power	Light color (designation)	Color (CCT, wavelength)	Typical Brightness (lumen/module)	Typical Brightness (lumen/chain)
M23GW05A	1.0W	White	6500K	100	2000
M23GW05A	1.0W	White	10000K - 14000K	100	2000
M23GR05A	0.72W	Red	620nm - 625nm	20	400
M23GG05A	0.72W	Green	518nm - 525nm	48	960
M23GB05A	0.72W	Blue	458nm - 470nm	10	200

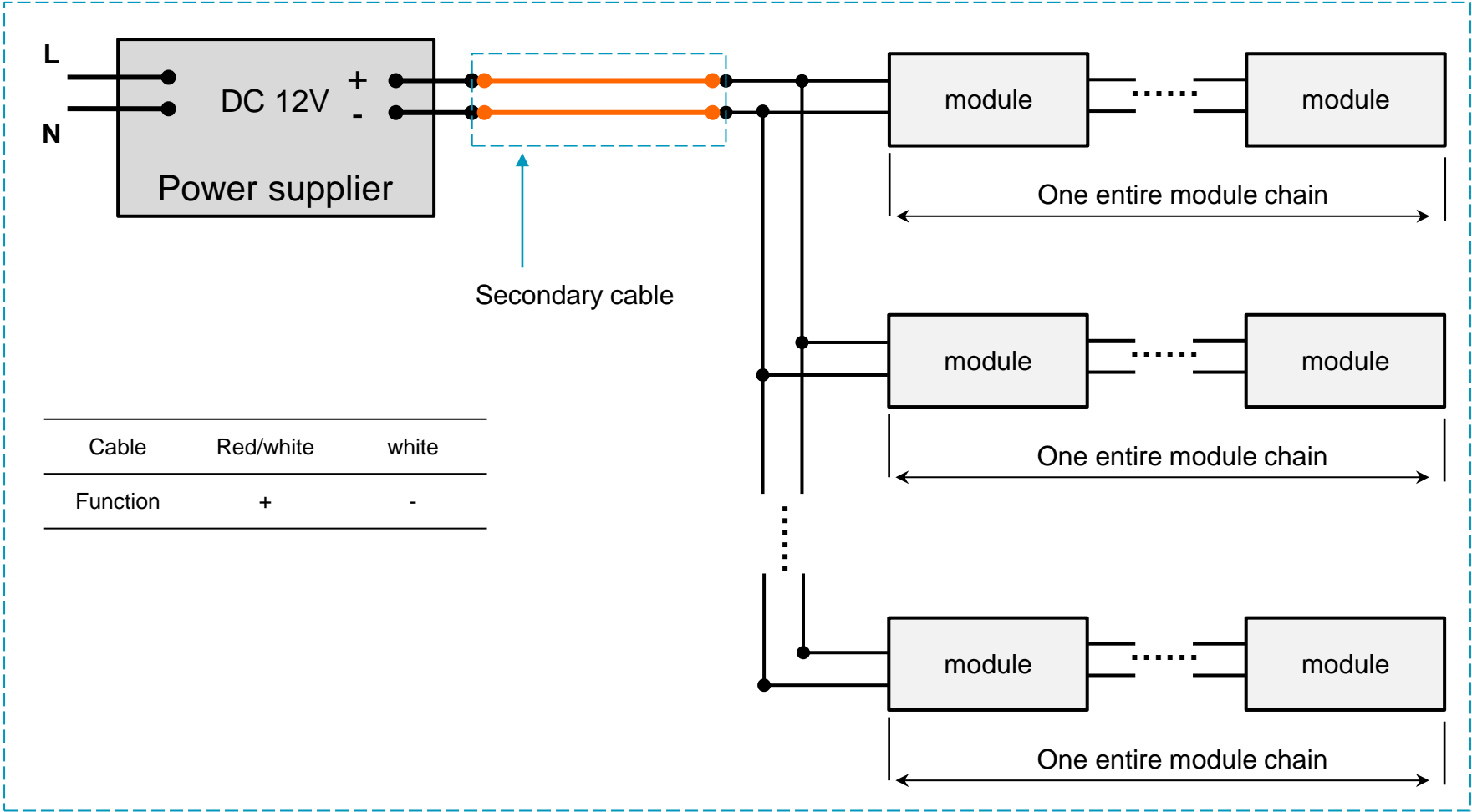
1. Ranking at $t_a = 25^\circ\text{C}$.
2. Tolerance of measurements for brightness is $\pm 10\%$, tolerance of measurements for the Chromaticity Coordinate is ± 0.01 ; the tolerance of CCT should be calculated accordingly, $R_a > 70$.

Application Conditions and light distribution

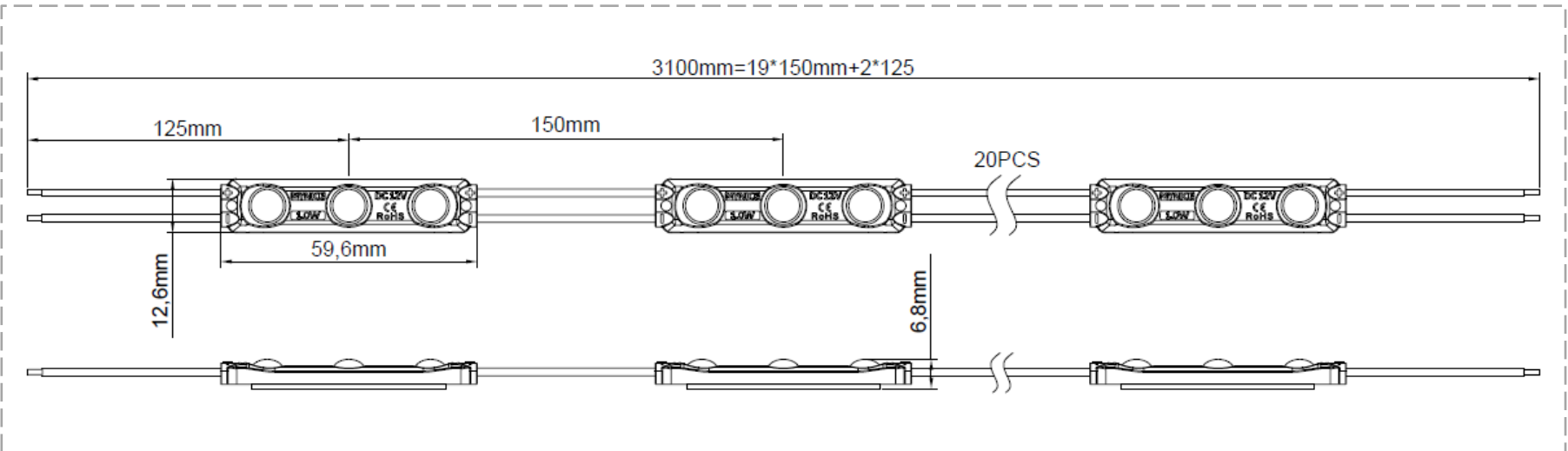
Operating Environment (t_a)	-25°C to +55°C
Storage Temperature Range (t_s)	-40°C to +85°C
IP Rating	IP66
Lifetime (L70B50)	3 years
t_c temperature	80°C
Dimming mode	Dimmable
Cutting Resolution	Cut on wire between every module



Wiring method



Drawing



Package and additional information

PRODUCTS	PART NUMBERS	Package unit (modules/carton box)	Carton box Dimensions (length x width x height)
NT5713	M23Gx05A	2000	52 x 37 x 26 cm

Additional information:

- Installation of LED modules (with power supplies) needs to be made under consideration of all valid regulations and norms.
- Installation by qualified electrician only.
- Parallel connection is mandatory for safe electrical operation. Serial connection of LED modules is discouraged. Unbalanced voltage drop in serial connection can cause hazardous overload
- Electrical contact is achieved with the contact cables or the terminals of the module. Please refer to the technical data for maximum number of LED modules that can be operated on one control gear.
- To avoid mechanical damage, the LED modules have to be attached securely to the intended mounting surface. It is recommended to avoid heavy vibration.
- LED modules are dimmable by means of PWM (pulse width modulation).