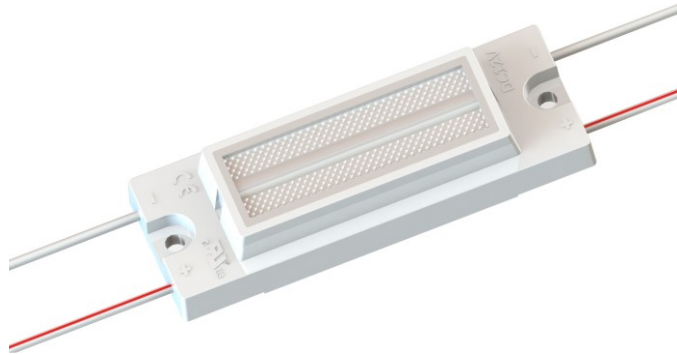


Product datasheet



BoxSide Thin

- M29EW31D

Areas of application

- Signage and illuminated advertising
- Side-lighting of light box, best for 0.5m to 2m length (1.64ft ~ 6.56ft)

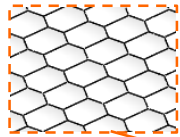
Product benefits

- Innovation optics design can get excellent homogeneous requirement – 0.5m ~ 2m light box
- Powered by OSRAM LED
- 7 years warranty

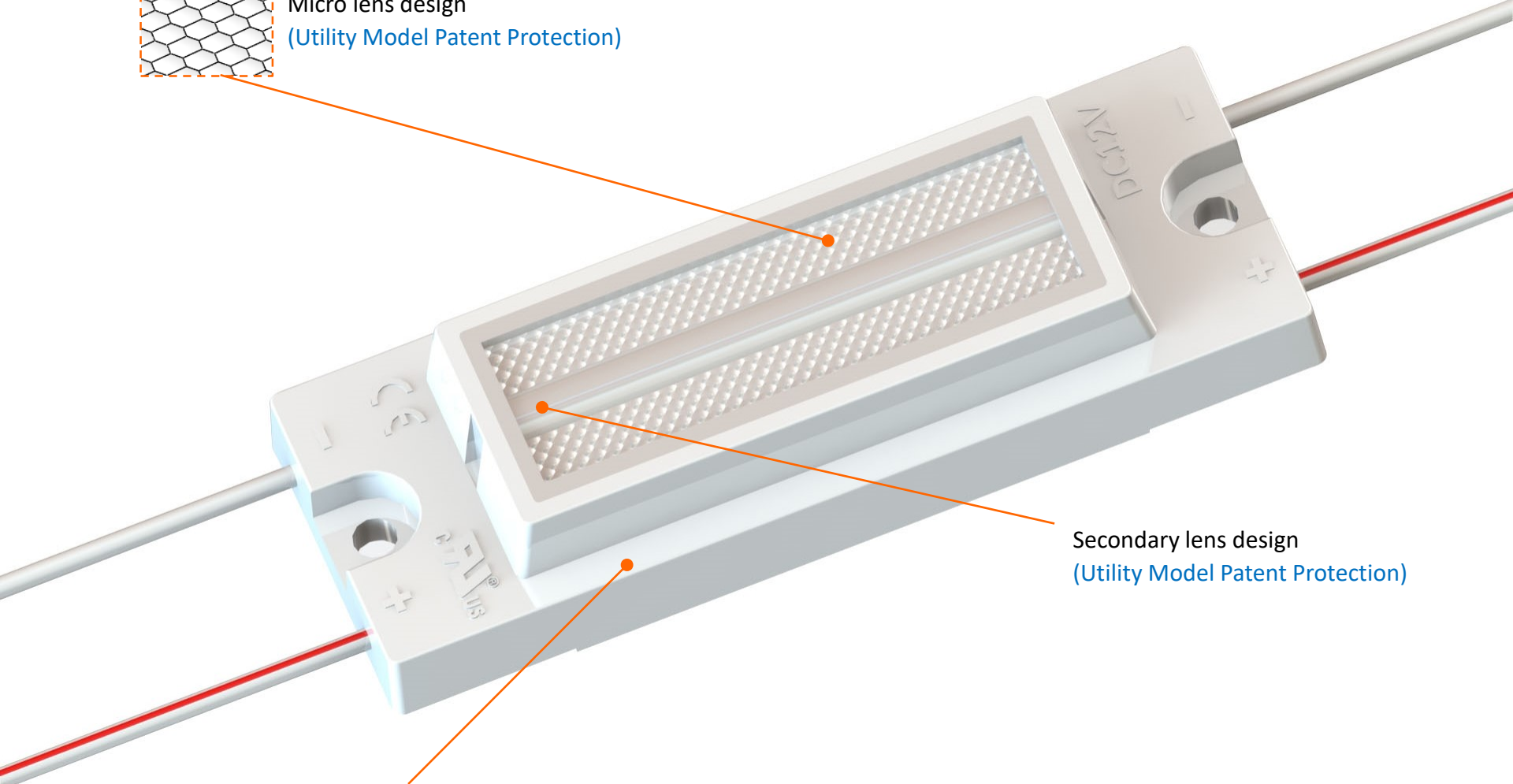
Product features

- 12VDC
- 270 lm/module
- 100 lm/W
- Beam angle 11° x 77°
- CE marked and UL listed



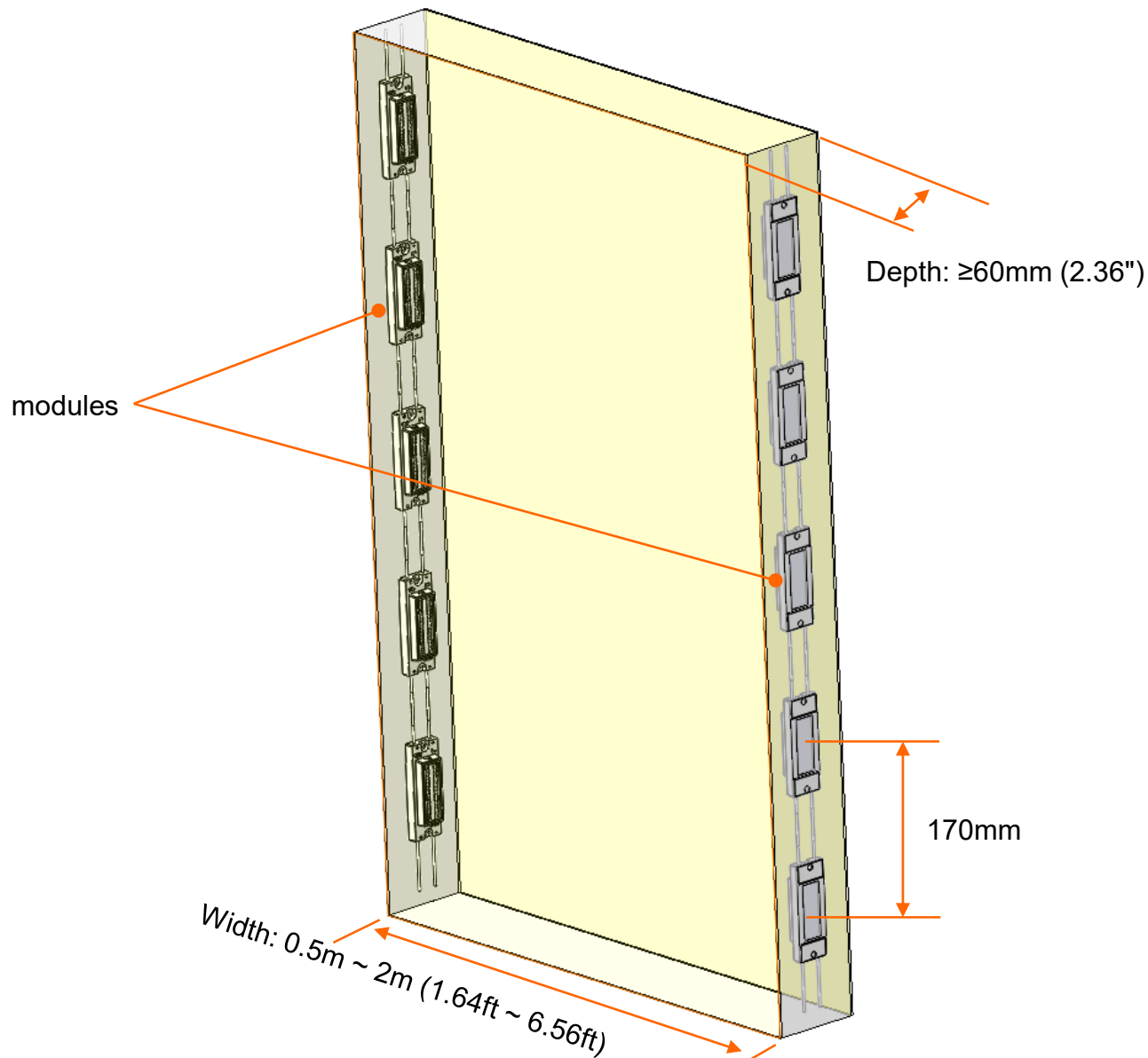


Micro lens design
(Utility Model Patent Protection)



Secondary lens design
(Utility Model Patent Protection)

(Design Patent Protection)



Width	Depth	Brightness
0.6m	60mm	1400lx
0.8m	60mm	1100lx
0.8m	80mm	950lx
1.0m	80mm	750lx
1.2m	100mm	600lx
1.5m	120mm	400lx
2.0m	150mm	260lx

Electrical data

Product Description	Typical Voltage	Energy Consumption (W/module)	Energy Consumption (W/chain)	Energy Consumption (W/ft.)	Additional Information (modules/chain)
M29EW31D	12VDC	2.7	54	4.12	20

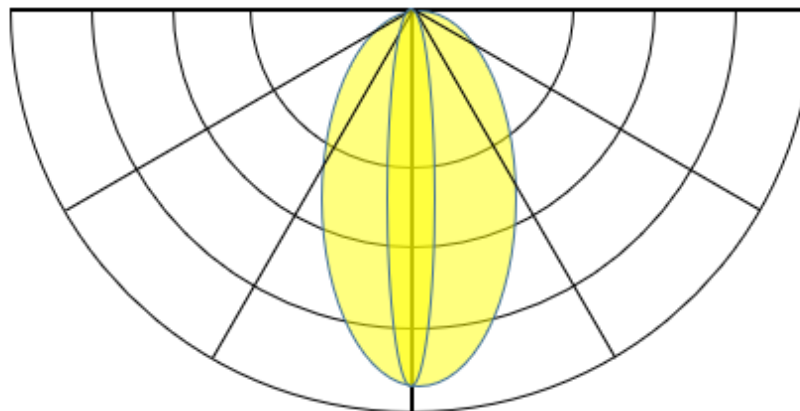
Photometrical data

Product Description	Light color (designation)	Color (CCT, wavelength)	Color Rendering Index	Typical Brightness (lumen/module)	Typical Brightness (lumen/chain)	Typical Brightness (lumen/ft.)
M29EW31D	White	3000K-7000K	Ra > 80	270	5400	412

Environmental and Application Conditions

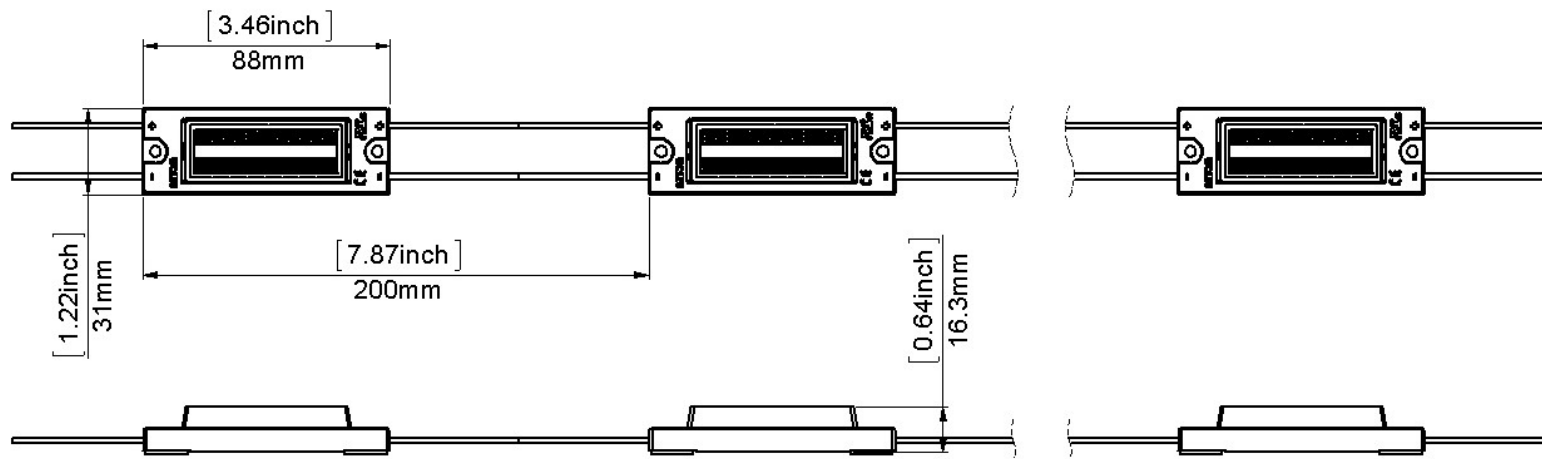
Operating Environment (t_a)	-25°C to +55°C
Storage Temperature Range (t_s)	-40°C to +85°C
Max. operating (case) temperature (t_c)	80°C
IP Rating	IP67
Lifetime (L70B50)	70,000 hours
Dimming mode	Dimmable
Cutting Resolution	Cut on wire between every module

Light distribution

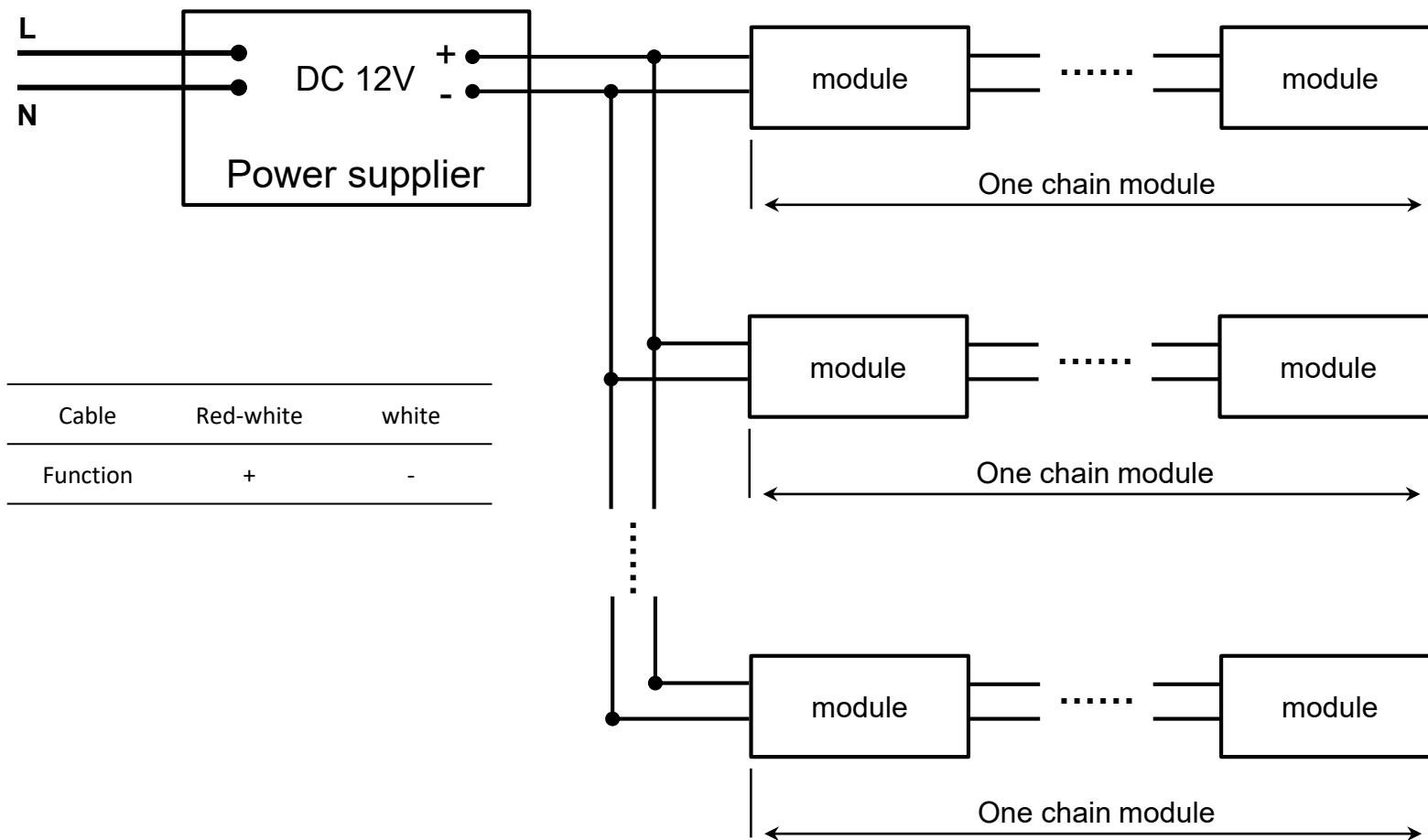


Beam angle: 11° x 77°

Product line drawing



Wiring method



* The secondary cable recommend AGW18, < 5 meter (16.4 ft.)

Package

Product description	Package unit (modules/carton box)	Package unit (chains/carton box)	Carton box Dimensions (length x width x height)	Volume	Gross weight
M29EW31D					

Additional product information

- Installation of LED modules (with power supplies) needs to be made under consideration of all valid regulations and norms.
- Installation by qualified electrician only.
- Parallel connection is mandatory for safe electrical operation. Serial connection of LED modules is discouraged. Unbalanced voltage drop in serial connection can cause hazardous overload
- Electrical contact is achieved with the contact cables or the terminals of the module. Please refer to the technical data for maximum number of LED modules that can be operated on one control gear.
- To avoid mechanical damage, the LED modules have to be attached securely to the intended mounting surface. It is recommended to avoid heavy vibration.
- LED modules are dimmable by means of PWM (pulse width modulation).