

Product datasheet



BoxSide Medium Plus

- M33HW32E

Areas of application

- Signage and illuminated advertising
- Side-lighting of light box, best for 2m to 4m length (6.56ft ~ 13.12ft)

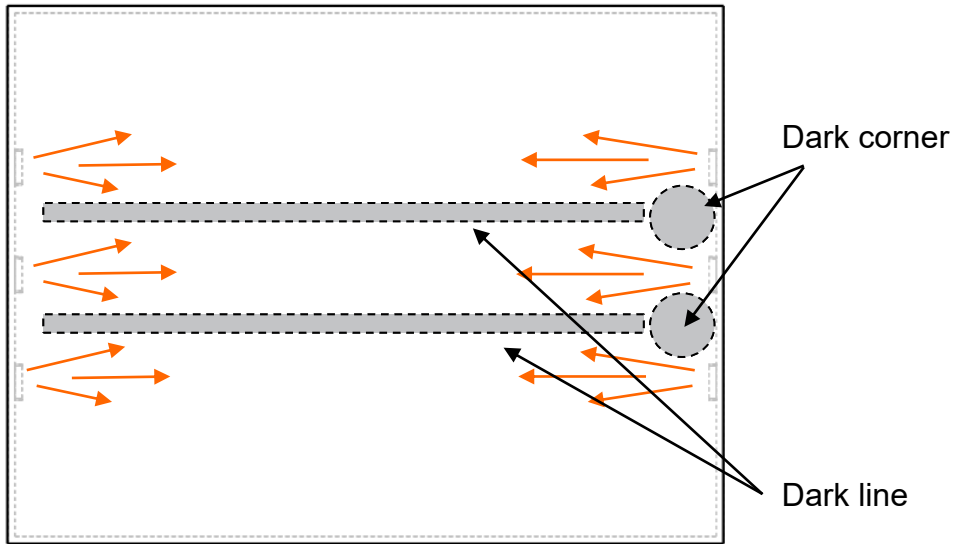
Product benefits

- Uniform and efficient illumination at high module pitches thanks to innovation optics design – **arc lens**
- Excellent optical design can meet long light box uniformity requirement – **2m~4m light box**
- Long lifetime (powered by Lumileds LED) - **7 years warranty**
- High reliability and stability - **IP68**

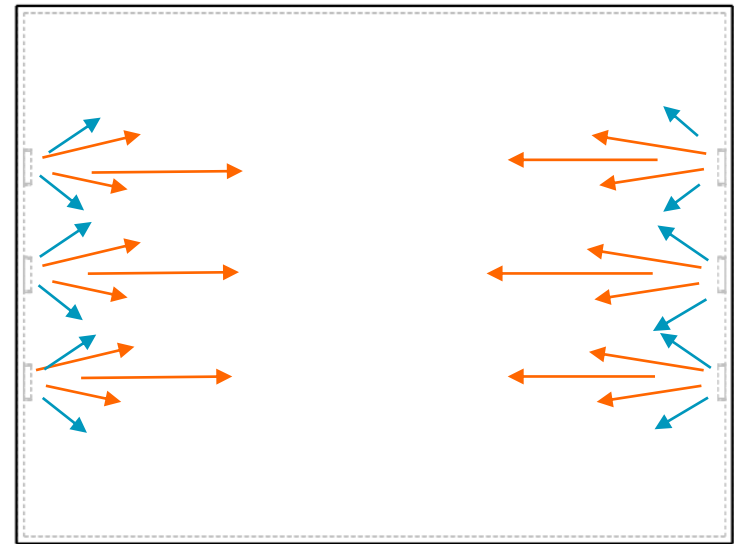
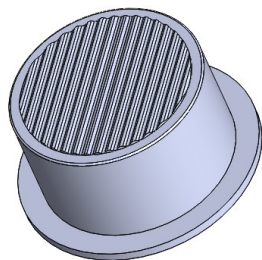
Product features

- 24VDC
- 390 lm/module
- 130 lm/W
- Beam angle 11° x 40°
- CE marked and UL listed

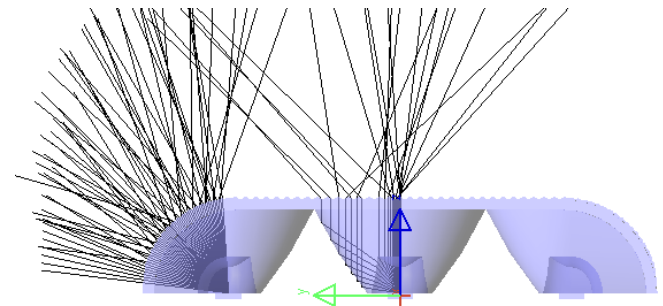


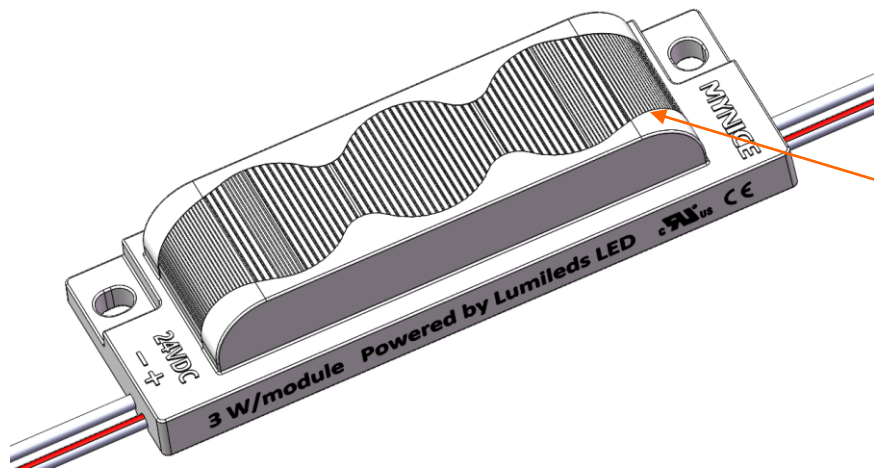


Normal sidelighting optics design

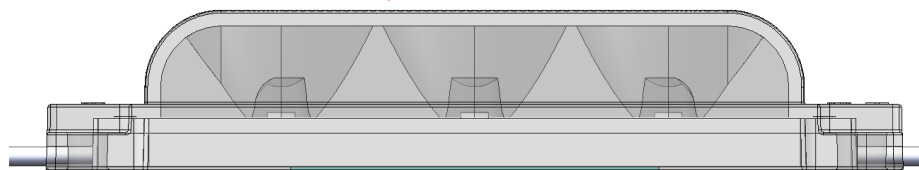


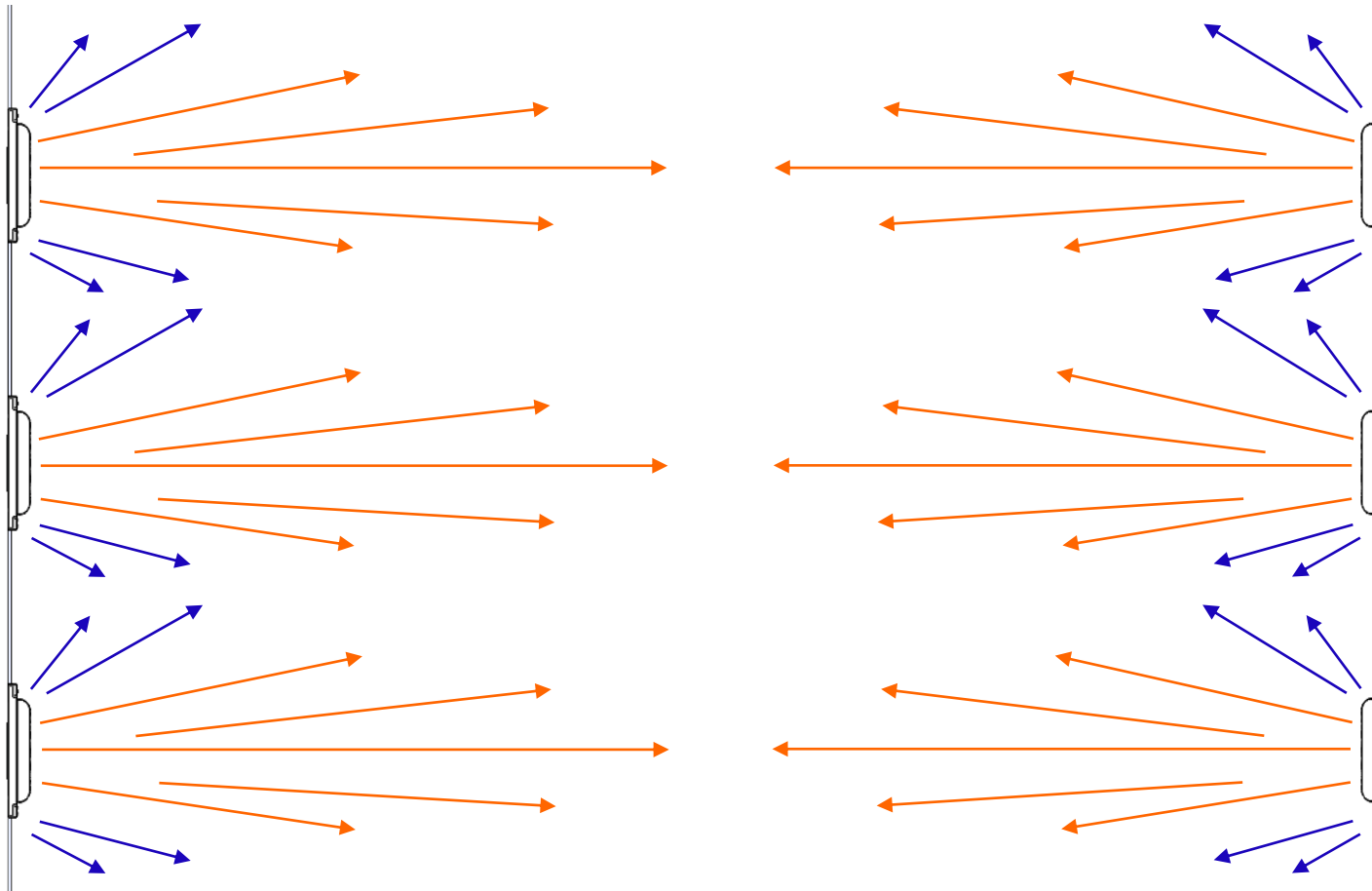
Innovation sidelighting optics design





Innovation optics design
→ Arc lens





Better uniformity between modules, both Horizontal and Vertical direction.

Electrical data

Product Description	Typical Voltage	Energy Consumption (W/module)	Energy Consumption (W/chain)	Energy Consumption (W/ft.)	Power Supper Loading	Additional Information (modules/chain)
M33HW32E	24VDC	3	120	3	40 modules/120W 39.4 ft./120W	40

Photometrical data

Product Description	Light color (designation)	Color (CCT, wavelength)	Color Rendering Index	Typical Brightness (lumen/module)	Typical Brightness (lumen/chain)	Typical Brightness (lumen/ft.)
M33HW32E	White	3000K-7000K	Ra > 80	390	15600	396

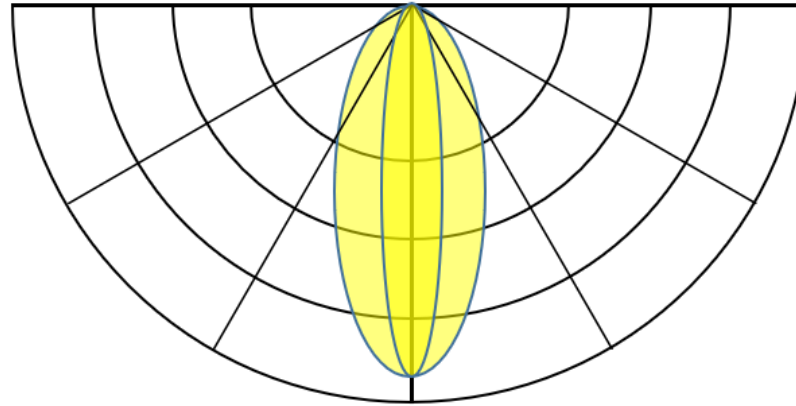
Environmental and Application Conditions

Operating Environment (t_a)	-25°C to +55°C
Storage Temperature Range (t_s)	-40°C to +85°C
Max. operating (case) temperature (t_c)	80°C
IP Rating	IP68
Lifetime (L70B50)	70,000 hours
Dimming mode	Dimmable
Cutting Resolution	Cut on wire between every module

Maximum Supply Wire Limits

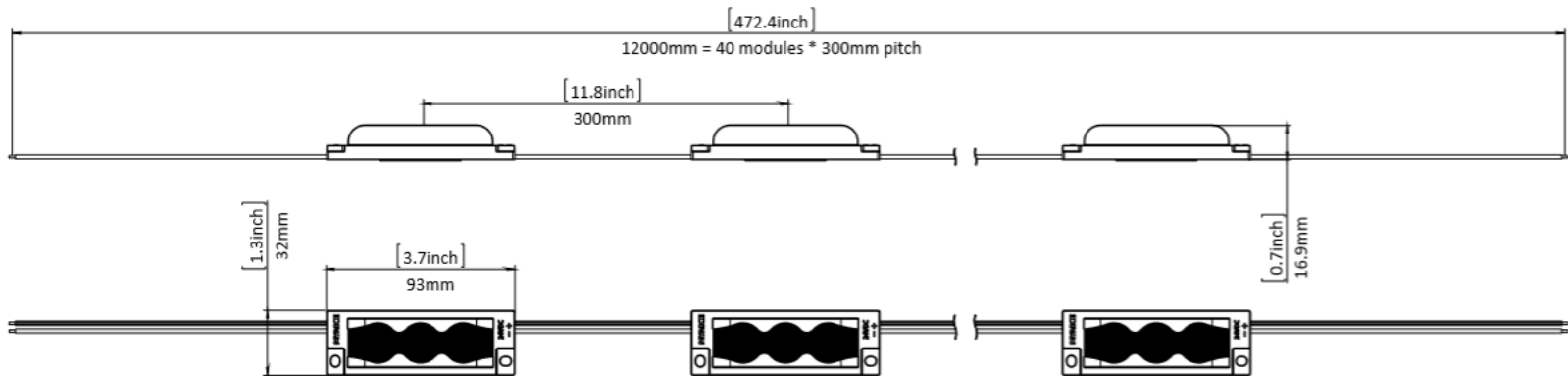
60W	20 modules	6 m (19.7 ft.)
80W	26 modules	8 m (26.2 ft.)
100W	33 modules	10 m (32.8 ft.)
120W	40 modules	12 m (39.4 ft.)
180W	60 modules	18 m (59 ft.)

Light distribution

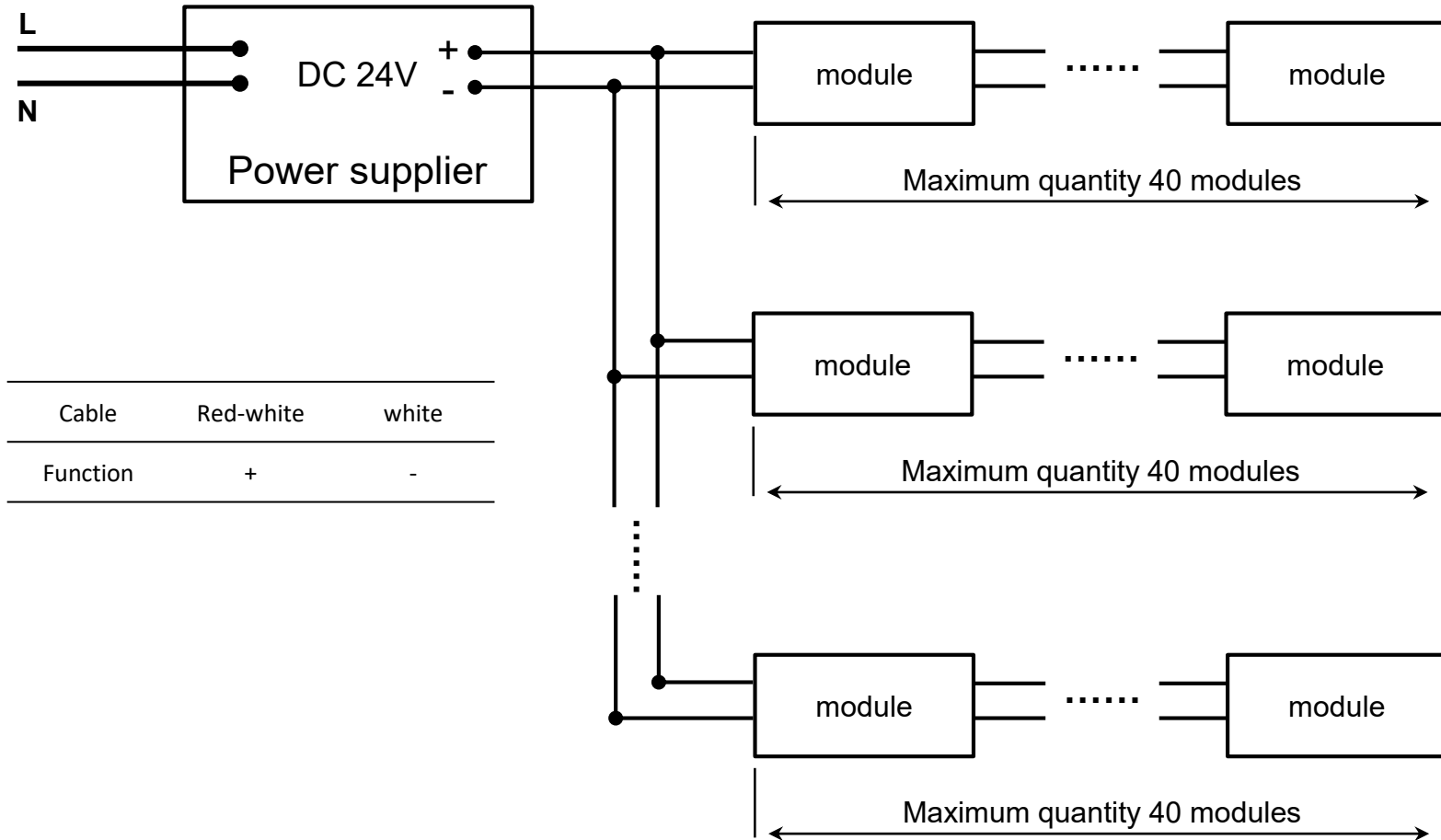


11° x 40°

Product line drawing



Wiring method



* The secondary cable recommend AGW18, < 5 meter (16.4 ft.)

Package

Product description	Package unit (modules/carton box)	Package unit (chains/carton box)	Carton box Dimensions (length x width x height)	Volume	Gross weight
M33HW32E					

Additional product information

- Installation of LED modules (with power supplies) needs to be made under consideration of all valid regulations and norms.
- Installation by qualified electrician only.
- Parallel connection is mandatory for safe electrical operation. Serial connection of LED modules is discouraged. Unbalanced voltage drop in serial connection can cause hazardous overload
- Electrical contact is achieved with the contact cables or the terminals of the module. Please refer to the technical data for maximum number of LED modules that can be operated on one control gear.
- To avoid mechanical damage, the LED modules have to be attached securely to the intended mounting surface. It is recommended to avoid heavy vibration.
- LED modules are dimmable by means of PWM (pulse width modulation).