

Product Specification

MYNICE[®]
美耐斯



9mm Pixel Module

P/N: C2GX09A

Application

- Advertising boards, decoration lighting

Features

- Special luminous design, soft light, not dazzling,
- The shell is made of plastic with high weather resistance,
- Strong adhesion and excellent weather resistance thanks to engineering grade potting adhesive,
- Single unit cuttable, flexible and convenient,
- Suitable for Φ 9mm hole and 1~3 mm thickness plate,
- CCT 2700K-20000K and red, green, blue available,
- Warranty 3 years,
- IP rating: IP68。



EPISTAR

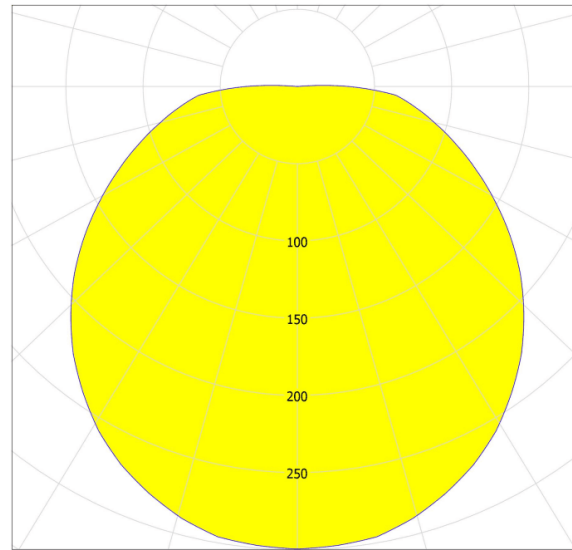
Photoelectric parameters

| P/N | Color | CCT or Wavelength | Input voltage | Power/pcs | Flux/pcs | Beam angle | Maximum connection number |
|---------|-------|-------------------------|------------------|-----------|----------|---------------|---------------------------------|
| C2GW09A | White | 2700-20000K | 12VDC | 0.15W | 16lm | 150° | 50pcs |
| C2GR09A | Red | 620-630nm | 12VDC | 0.15W | 8.3lm | 150° | 50pcs |
| C2GG09A | Green | 520-530nm | 12VDC | 0.15W | 15lm | 150° | 50pcs |
| C2GB09A | Blue | 460-470nm | 12VDC | 0.15W | 4.2lm | 150° | 50pcs |

1. Environment temperature $t_a = 25^\circ\text{C}$.
2. Power deviation: $\pm 10\%$, Flux deviation $\pm 10\%$, Chromaticity coordinate deviation ± 0.01 , $R_a > 70$.

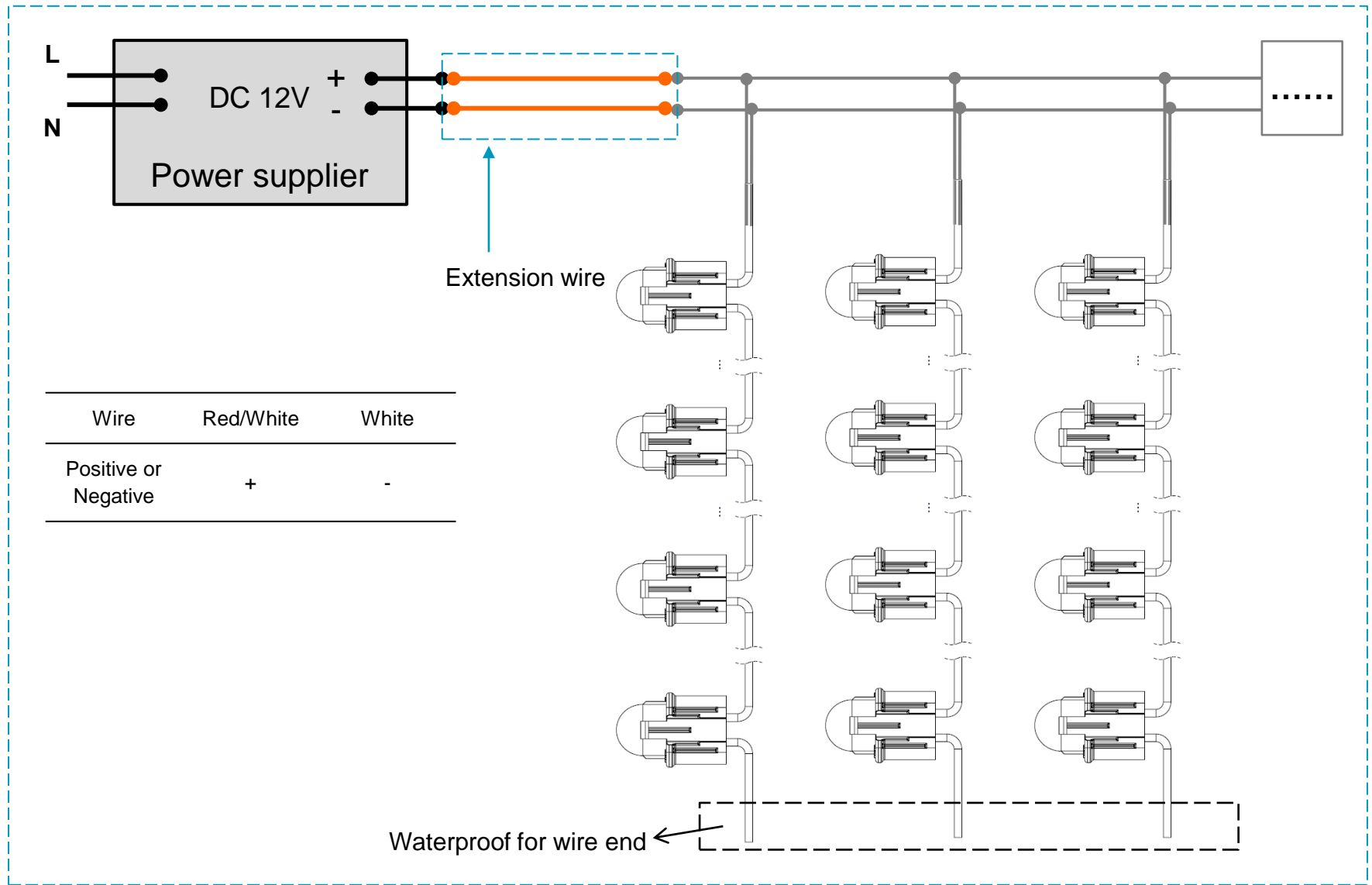
Application condition and light distribution

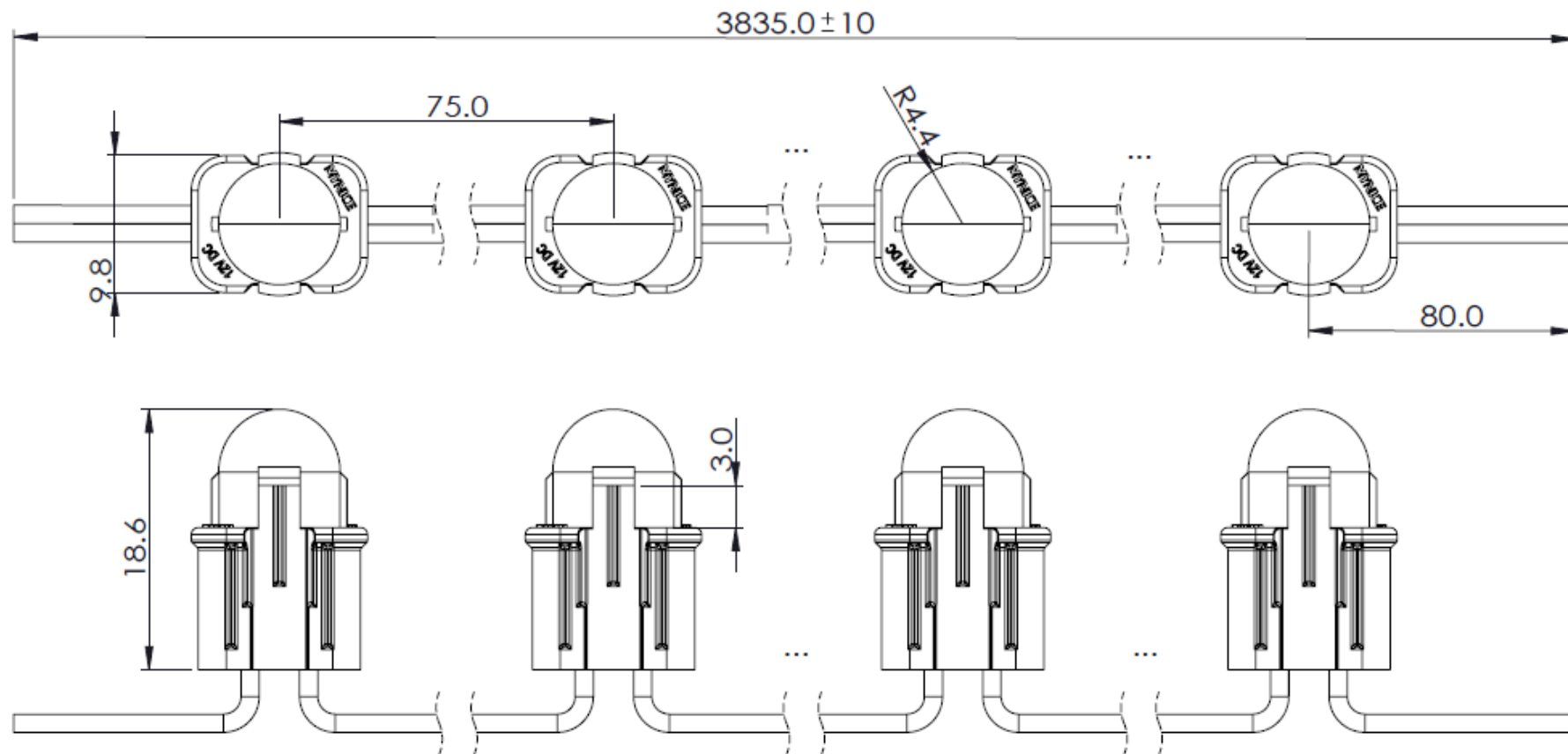
| | |
|------------------------------------|----------------|
| Environments temperature (t_a) | -25°C to +60°C |
| Storage temperature (t_s) | -40°C to +85°C |
| IP rating | IP68 |
| Lifetime (L70B50) | 30,000 hours |
| Max. t_c | 75°C |
| Dimming | No dimming |



Beam angle: 150°

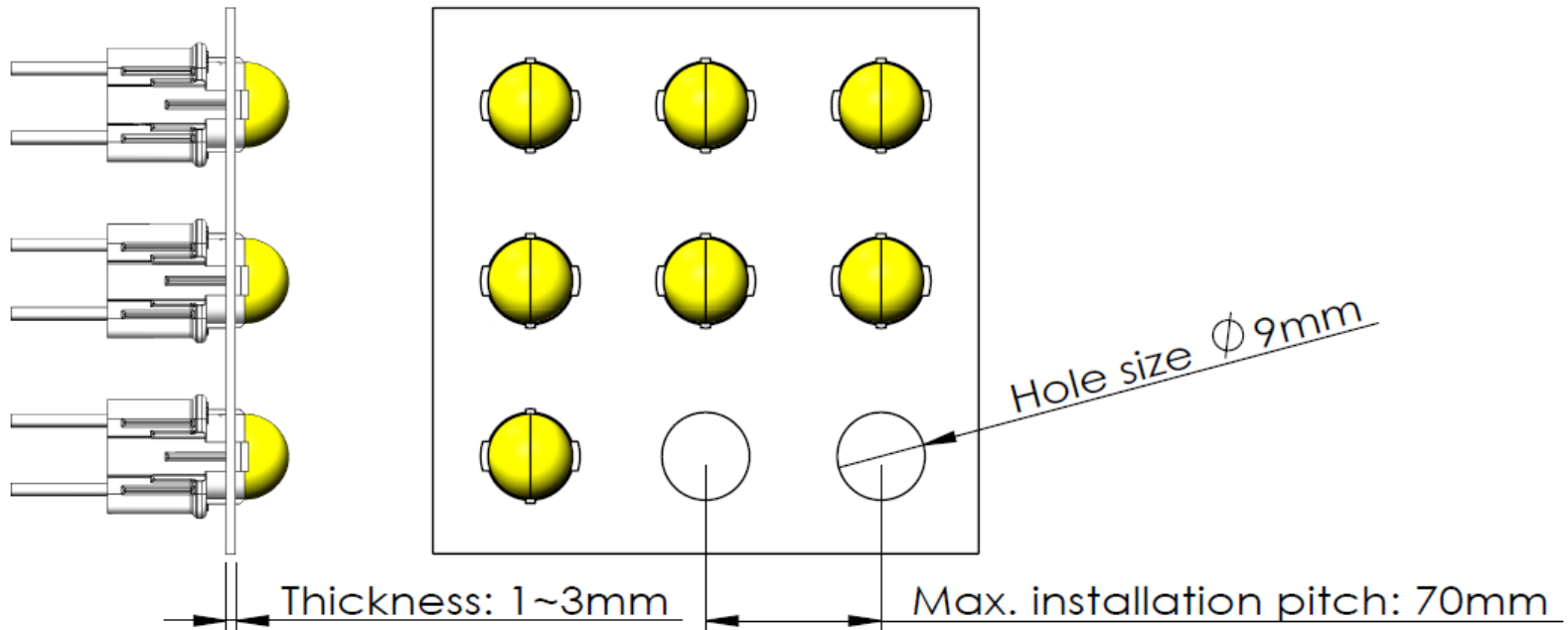
Wire connection





Maximum connection number: 50pcs

Units: mm



Package

| Product | P/N | Quantity/bag | Carton size (Length x Width x Height) |
|------------------|---------|--------------|--|
| 9mm Pixel module | C2GW09A | / | / |

Other information

- Installation of LED module (with power supplies) needs to be made under consideration of all valid regulations and norms.
- Installed by qualified electrician only.
- Parallel connection is mandatory for safe electrical operation. Serial connection of LED module is discouraged. Unbalanced voltage drop in serial connection can cause hazardous overload.
- To avoid mechanical damage, the LED modules have to be attached securely to the intended mounting surface. It is recommended to avoid heavy vibration.