

Product datasheet



NT6916

P/N: M23GW27A

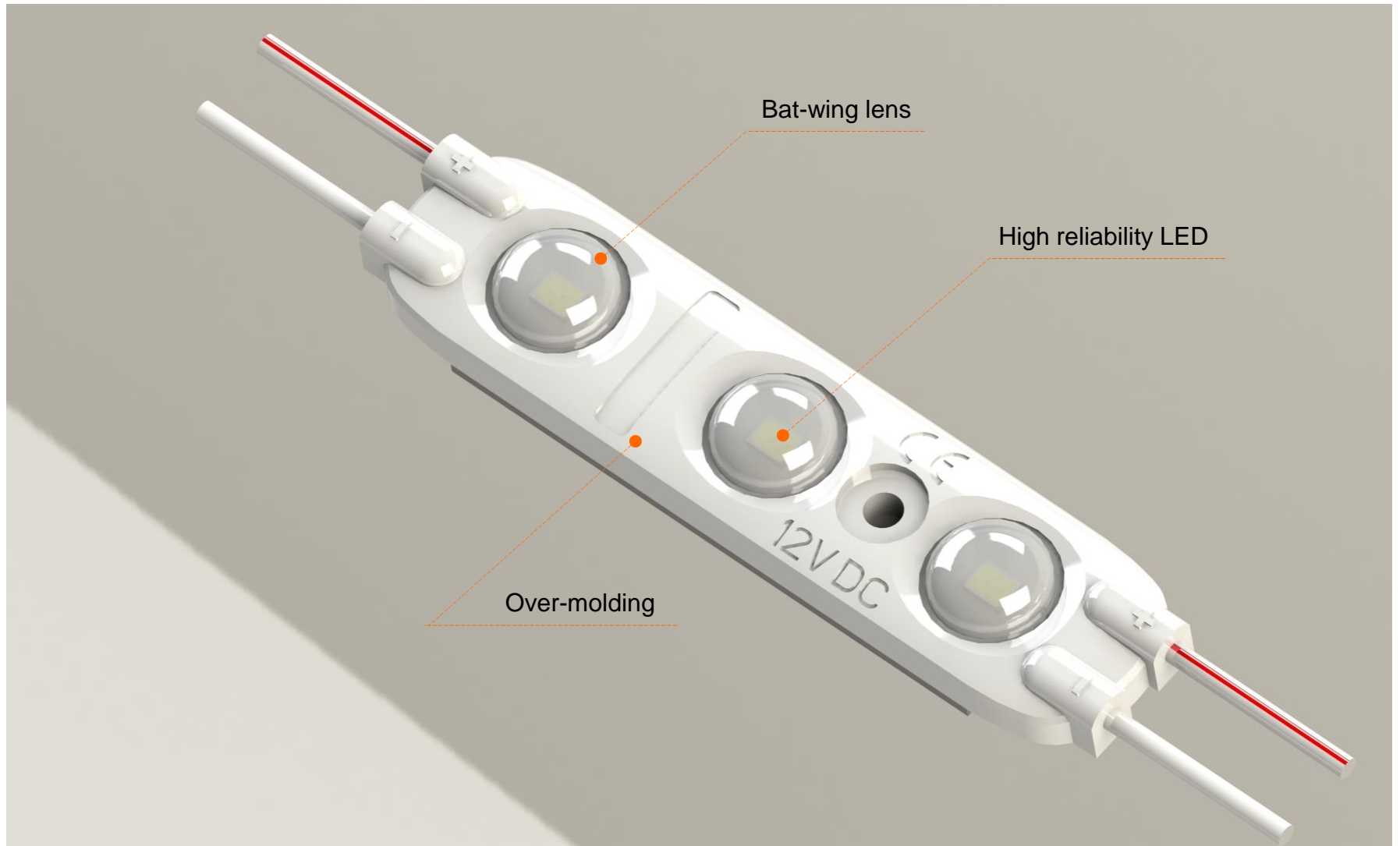
Areas of application

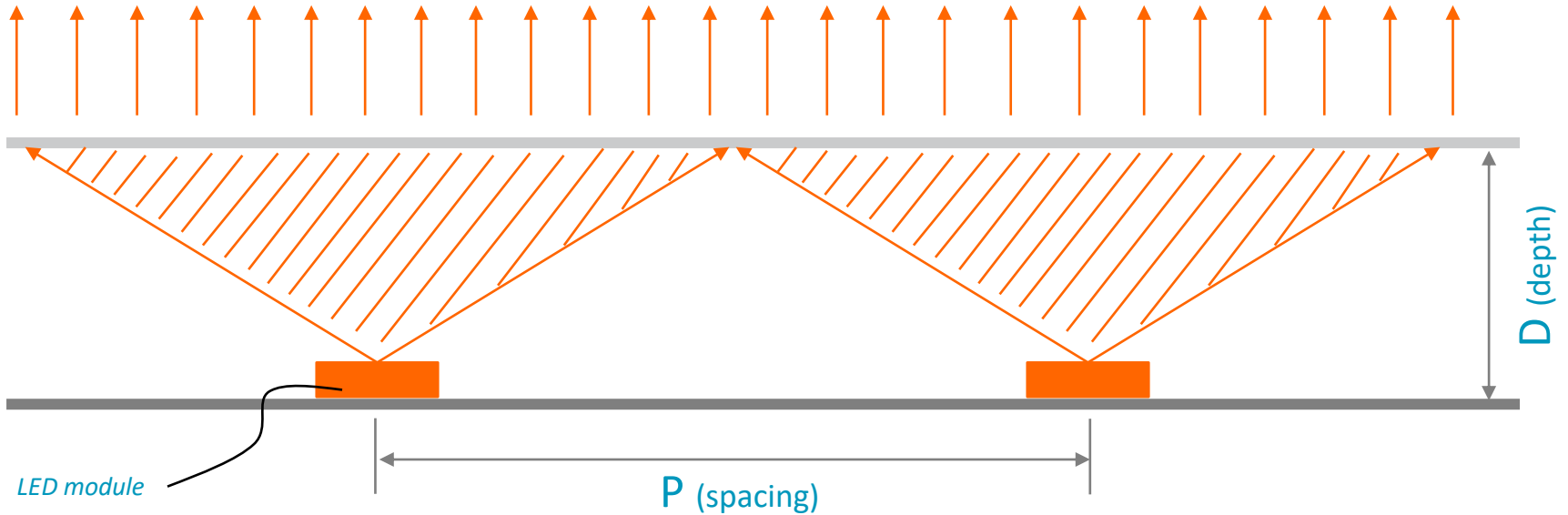
- Signage and illuminated advertising.
- Backlighting of channel letters and light box.
- Best for 50mm to 200mm depth (2inch to 8inch).

Product main benefits

- Good optics (bat-wing lens) design to achieve good optical performance.
- 5 Years warranty.
- 1.5W
- IP66

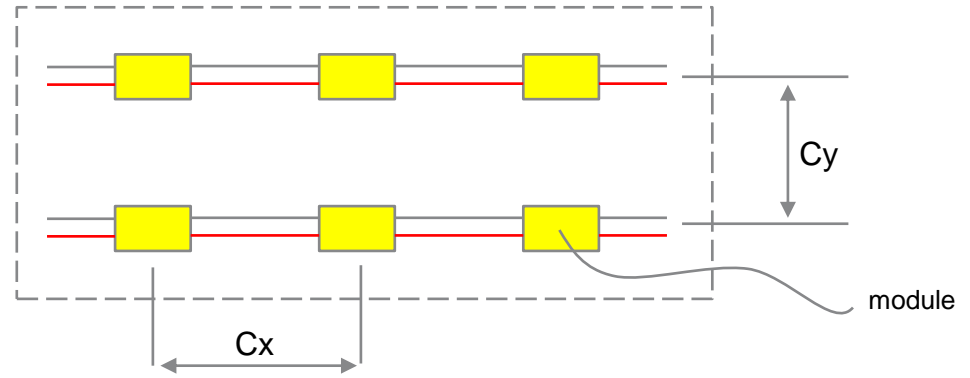
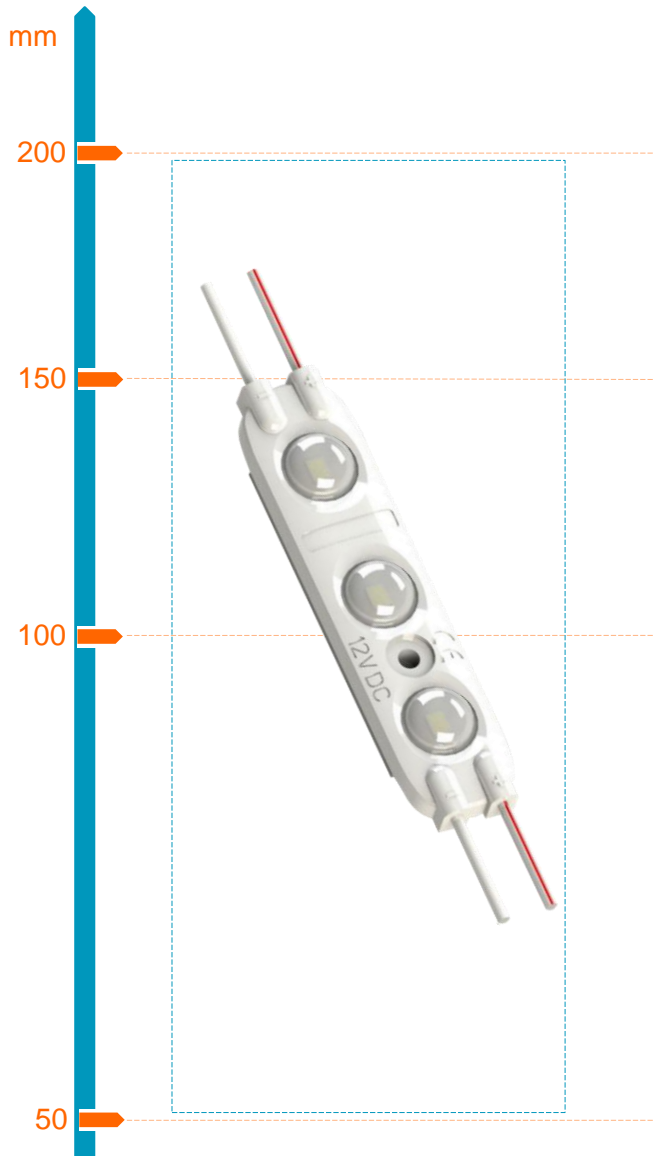






$$\text{optical performance proportion} = \frac{D(\text{depth})}{P(\text{spacing})} = 1:1.7$$

- The proportion of “P” and “D” can show the performance of lens optics design.
- The bigger proportion, the wider light spot.



Depth	Cx	Cy	Surface illuminance
60mm	100mm	85mm	~2100lux
100mm	150mm	120mm	~1400lux
150mm	180mm	150mm	~900lux

PART NUMBERS	Typical Voltage	Energy Consumption (W/module)	Energy Consumption (W/chain)	Energy Consumption (W/ft.)	Additional Information (modules/chain)
M23GW27A	12VDC	1.5	30	3.0	20

Remark:

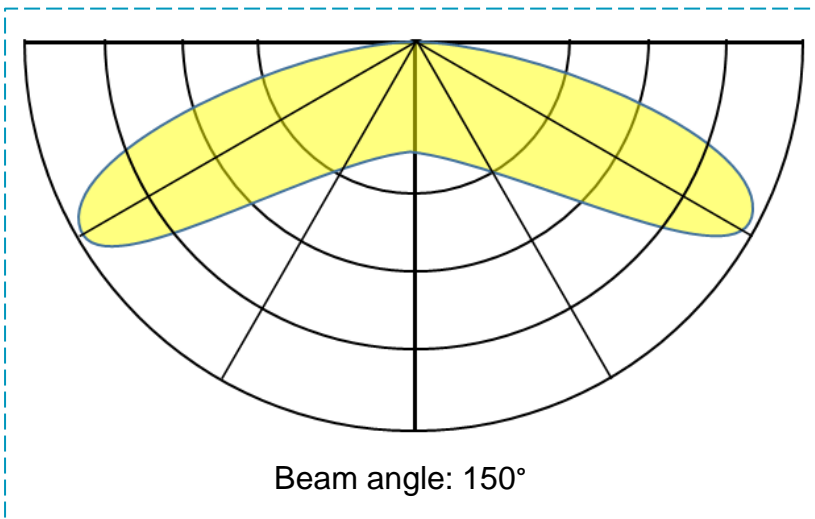
1. Ranking at $t_a = 25^\circ\text{C}$.
2. Constant voltage design.

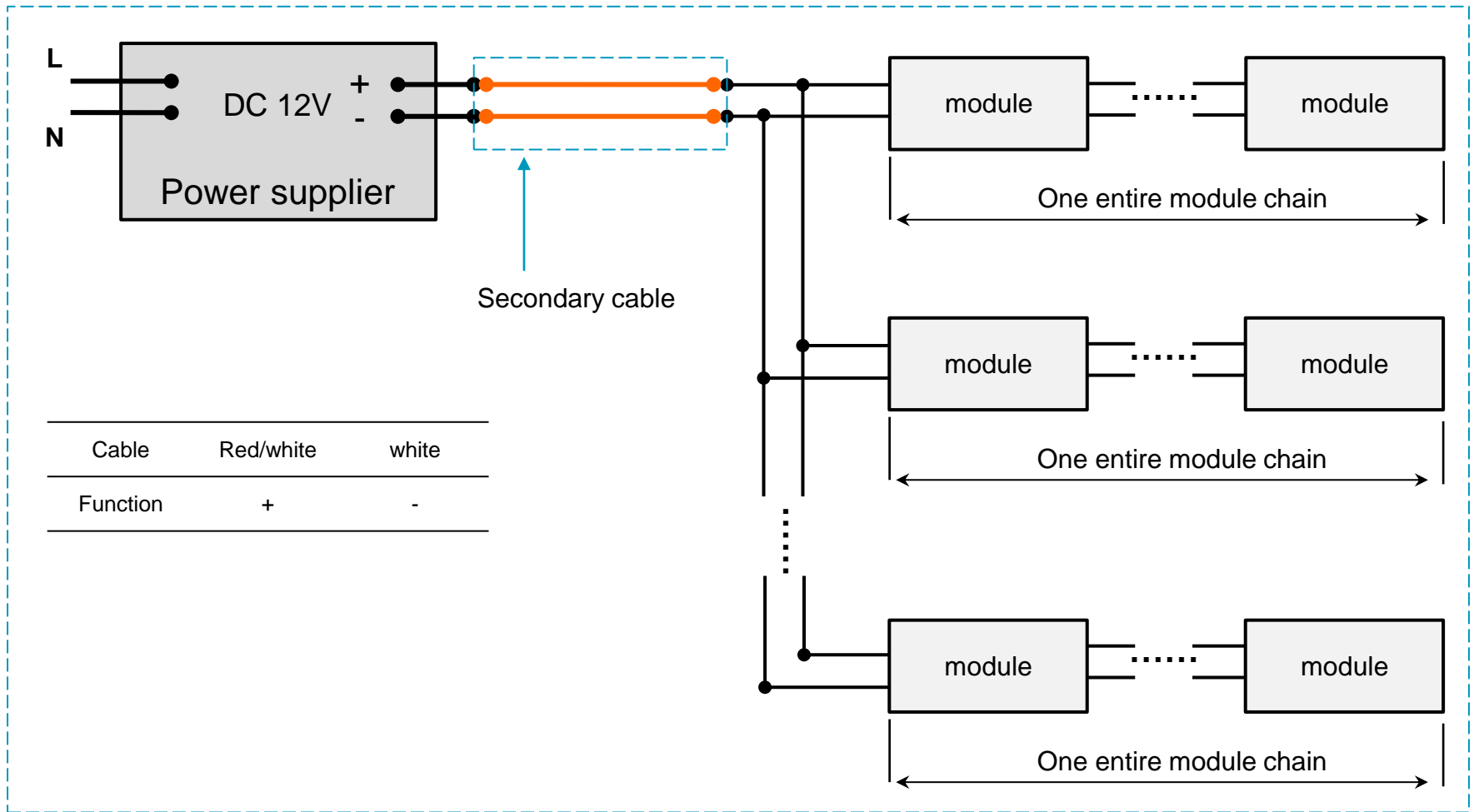
PART NUMBERS	Light color (designation)	Color (CCT, wavelength)	Typical Brightness (lumen/module)	Typical Brightness (lumen/chain)	Typical Brightness (lumen/ft.)
M23GW27A	White	5000K-17000K	150	3000	305

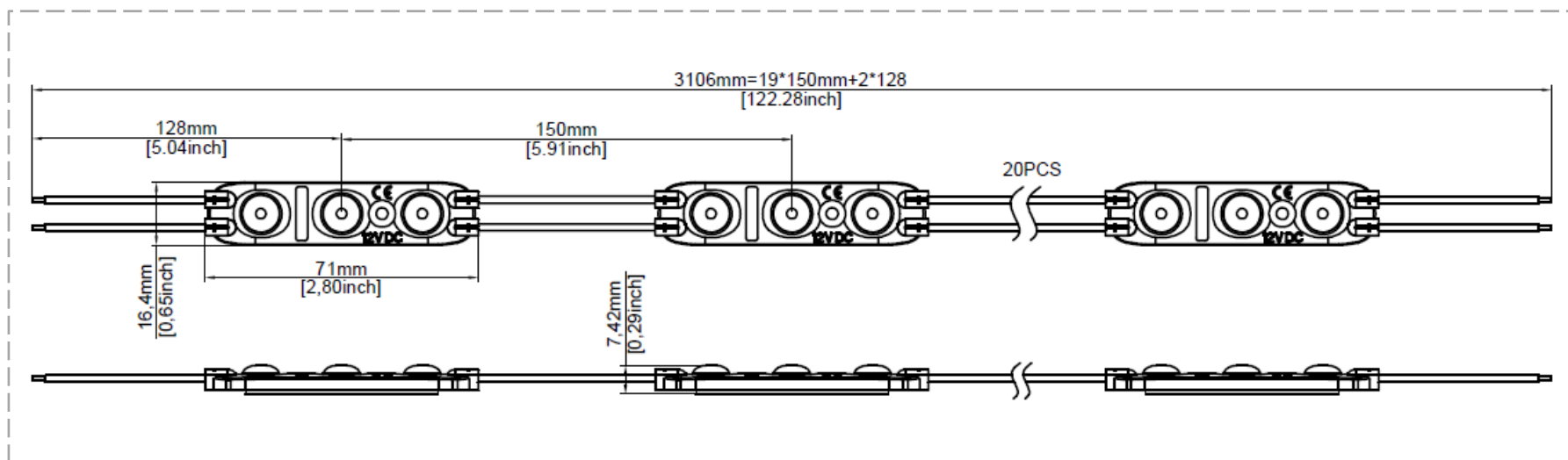
1. Ranking at $t_a = 25^\circ\text{C}$.
2. Tolerance of measurements for brightness is $\pm 10\%$, tolerance of measurements for the Chromaticity Coordinate is ± 0.01 ; the tolerance of CCT should be calculated accordingly, $R_a > 70$.

Application Conditions and light distribution

Operating Environment (t_a)	-25°C to +60°C
Storage Temperature Range (t_s)	-40°C to +85°C
IP Rating	IP66
Lifetime (L70B50)	50,000 hours
t_c temperature	80°C
Dimming mode	Dimmable
Cutting Resolution	Cut on wire between every module







PRODUCTS	PART NUMBERS	Package unit (modules/carton box)	Carton box Dimensions (length x width x height)
NT6916	M23GW27A	1400	52 x 37 x 26 cm

Additional information:

- Installation of LED modules (with power supplies) needs to be made under consideration of all valid regulations and norms.
- Installation by qualified electrician only.
- Parallel connection is mandatory for safe electrical operation. Serial connection of LED modules is discouraged. Unbalanced voltage drop in serial connection can cause hazardous overload
- Electrical contact is achieved with the contact cables or the terminals of the module. Please refer to the technical data for maximum number of LED modules that can be operated on one control gear.
- To avoid mechanical damage, the LED modules have to be attached securely to the intended mounting surface. It is recommended to avoid heavy vibration.
- LED modules are dimmable by means of PWM (pulse width modulation).