



## Magic SPI series neon flex strip

P/N: RCC60AA10G-1220

### Areas of application

- It is used in indoor and outdoor landscape lighting, architectural lighting, decorative lighting, groove lighting, showcase lighting, swimming pool lighting, yacht and ship lighting, contouring and other scenes.

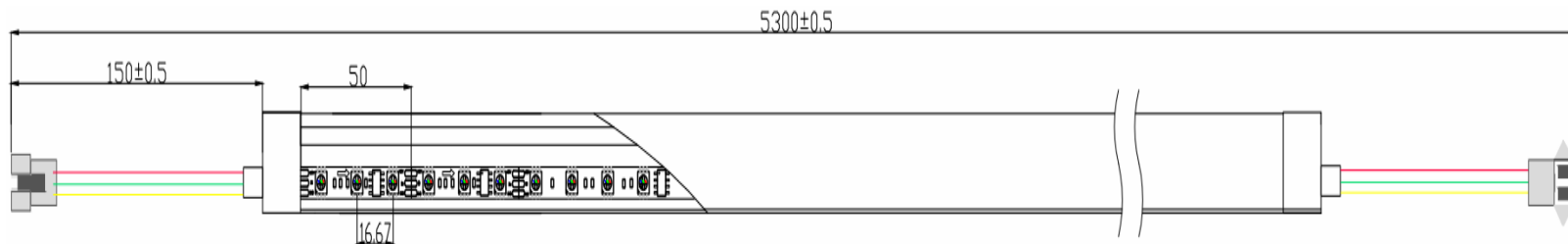


### Product main benefits

- High-quality 5050RGB LEDs.
- Using SPI serial protocol, the signal output stability is good, and the scope of application is wide.
- IC has many options, flexible design and high cost performance.
- High light transmittance, environmentally friendly silicone material, UV resistance, yellowing resistance.
- Unique optical light distribution structure design, uniform light emission on the surface without shadows.



Unit: mm

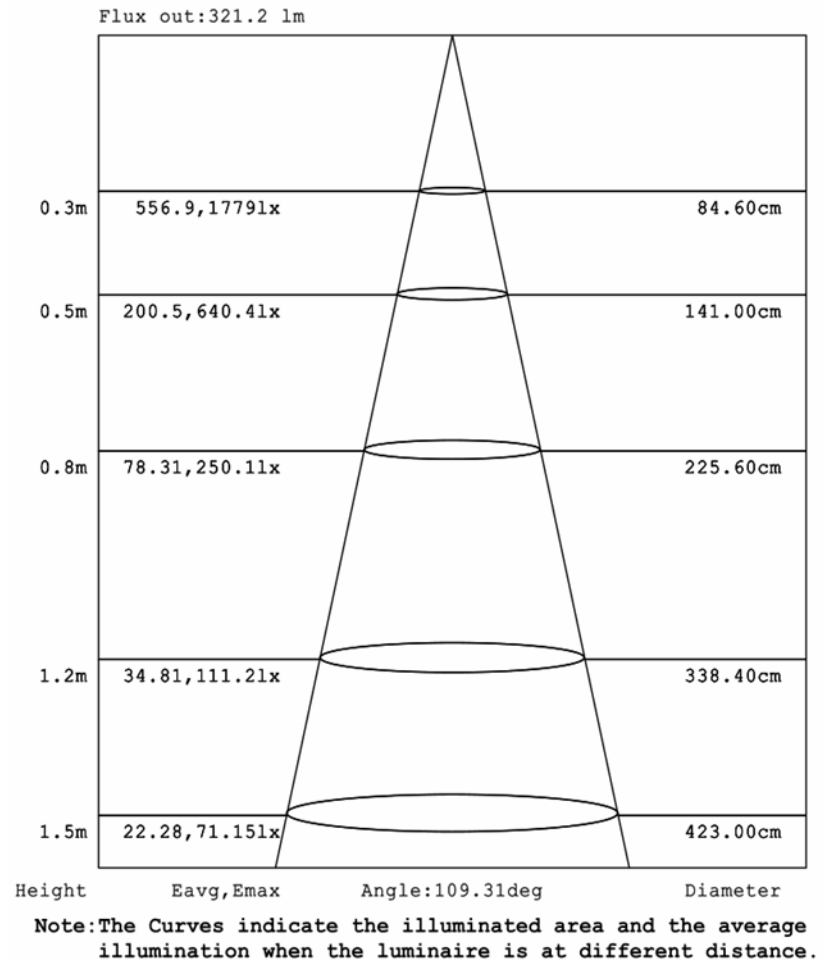
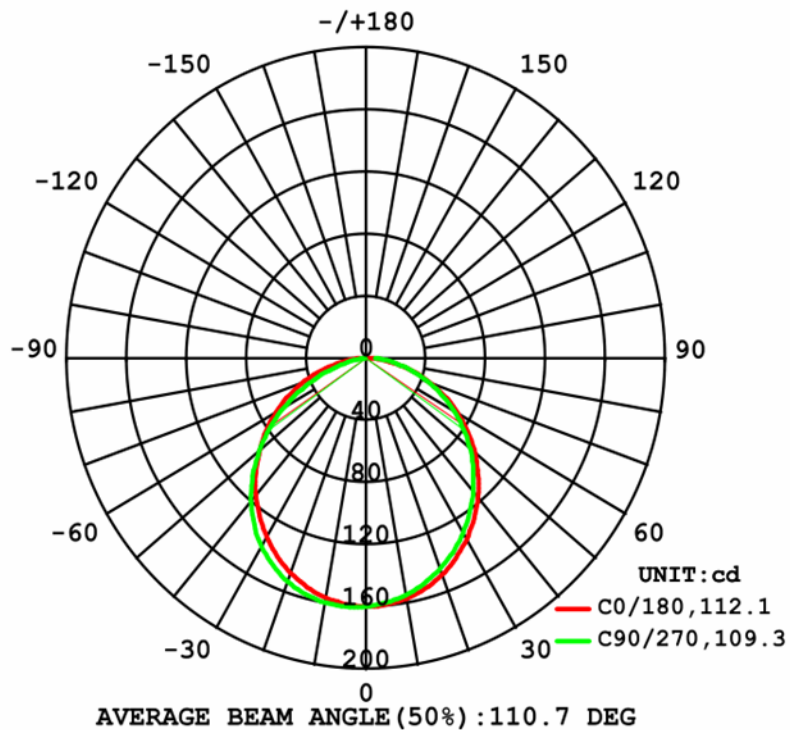


Product size	5000*12*20 mm
Cut-able unit	50mm
LED pitch	16.67 mm
LED quantity	60 LEDs/m
Max. cascade length	5 m
Min. bend diameter	20 mm
Mounting solution	3M tape
Control method	SPI External control
Grey scale	256
Operating ambient	-25°C~45°C
Storage environment	-25°C~60°C / 60% RH

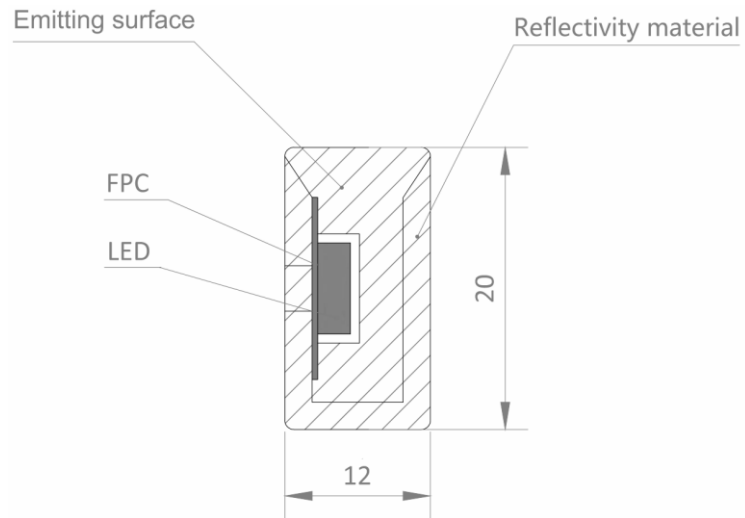
Product numbers	Input voltage	Rated current	Typical power	Color rendering index	Beam angle	Wavelength /temperature	Lumen	Luminous efficiency
RCC60AA10G-1220	DC 12V	150mA/m	3.6W/m	/	120°	620~625nm	85lm	/
RCC60AA10G-1220	DC 12V	150mA/m	3.6W/m	/	120°	520~525nm	200lm	/
RCC60AA10G-1220	DC 12V	150mA/m	3.6W/m	/	120°	460~470nm	75lm	/
RCC60AA10G-1220	DC 12V	600mA/m	14.4W/m	/	120°	/	250lm	/

1. Ranking at  $t_a = 25^\circ\text{C}$ .
2. Tolerance of measurements for brightness is  $\pm 10\%$ , tolerance of measurements for the Chromaticity Coordinate is  $\pm 0.01$ .

LUMINOUS INTENSITY DISTRIBUTION DIAGRAM

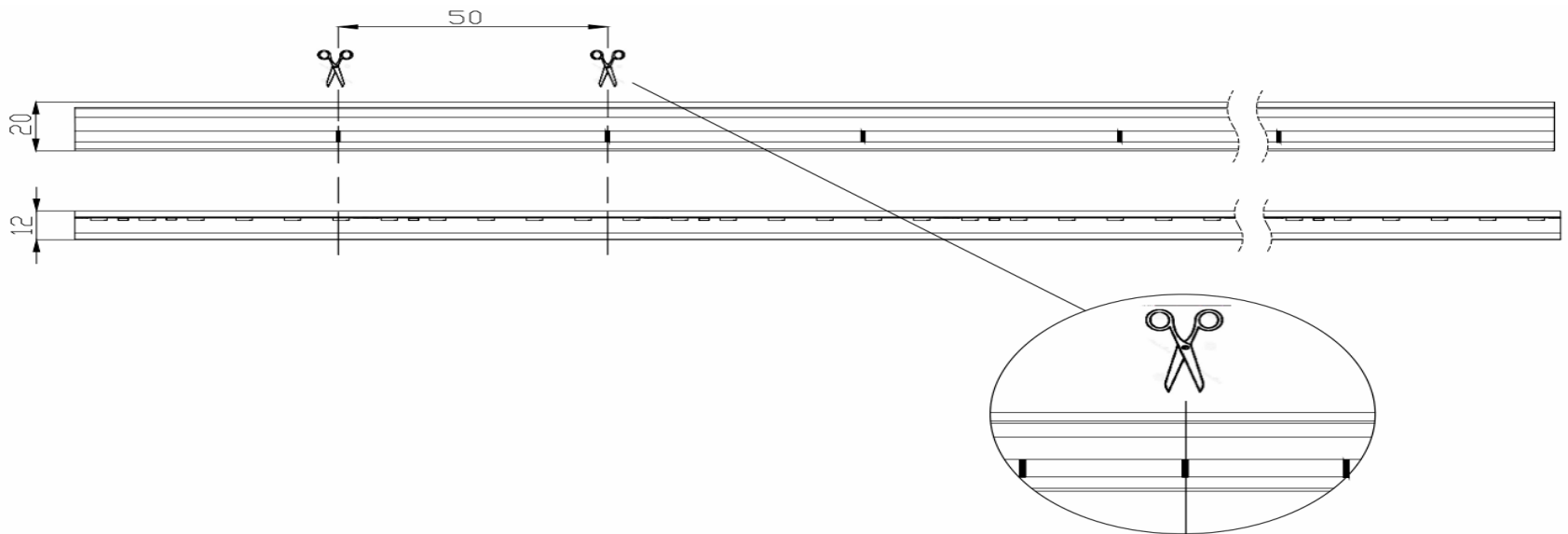


## Section view

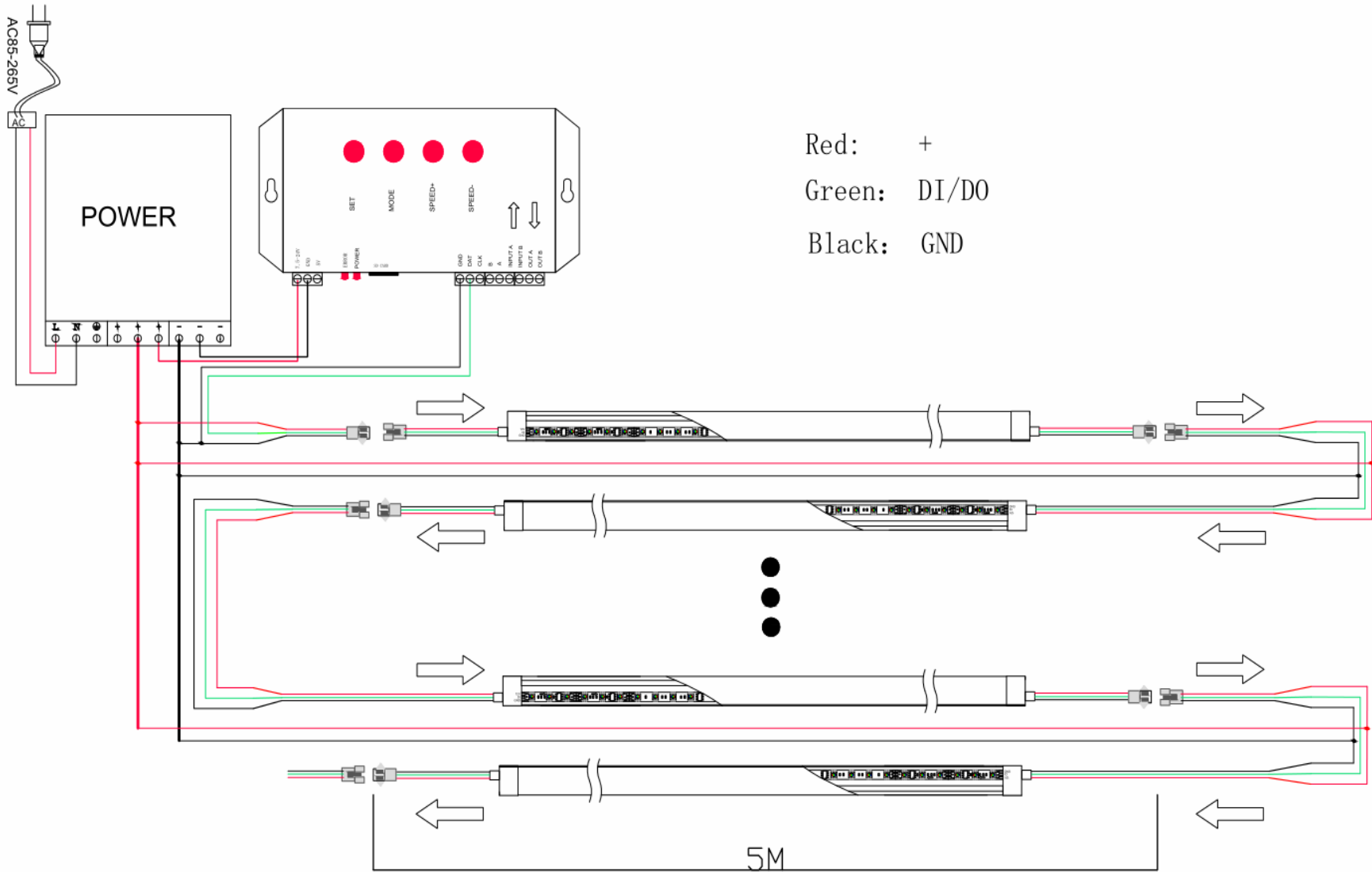


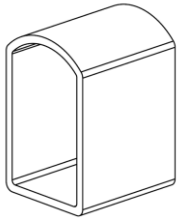
Unit: mm

## Cut diagram

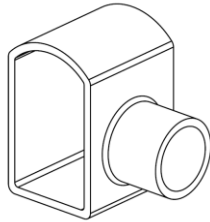


# Installation wiring diagram

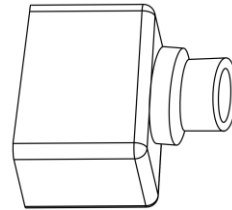




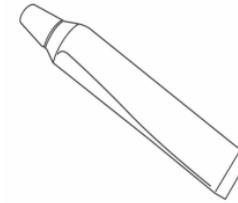
Head up-bottom



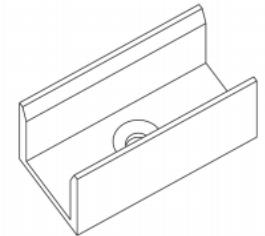
Head cup-side



Head up- straight



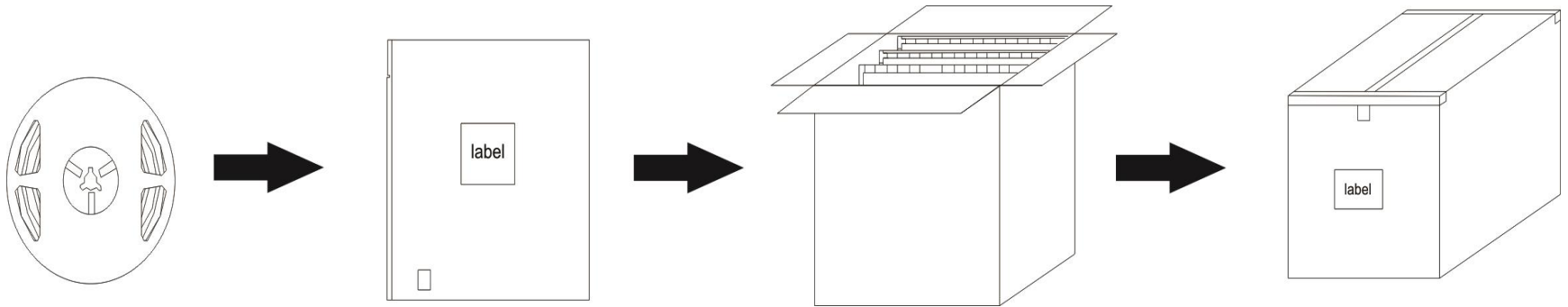
Sealing glue



Mounting base

## Environmental and application condition

Operation temperature	-25°C ~50°C
Storage temperature	-40°C ~70°C
Maximum surface temperature (Tc)	65°C



5m/roll

1roll/bag

Boxing

Complete package

Model NO.	Product Size	Inner Carton Size	Outer Carton Size	Packing Quantity	Gross Weight
RCC60AA10G-1220	5000*12*20mm	/	37*34*34CM	8bags	20kg



## Supplementary Product Information

---

- Installation of LED modules (with power supplies) needs to be made under consideration of all valid regulations and norms.
- Installation by qualified electrician only.
- Please drive the led strip with isolated power, and the ripple of the constant voltage source should be less than 5%.
- Please do not bend the strip into an arc with a diameter less than 20mm to ensure the longevity and reliability.
- Do not fold it in case any damage of LED beads.
- Do not pull the power wire hard to ensure the longevity. Any crash may damage the colloidal surface is prohibited.
- Please make sure the wire is connected to the anode and cathode correctly. The power output should be consistent with the voltage of the strip to avoid damage.
- LED lights should be stored in dry, sealed environment. Please only unpack it before usage. Ambient temperature:  $-20\text{ }^{\circ}\text{C} \sim +40\text{ }^{\circ}\text{C}$ . Storage temperature:  $-25\text{ }^{\circ}\text{C} \sim +60\text{ }^{\circ}\text{C}/60\%\text{RH}$ .
- Please use the strips without waterproof within indoor environment with humidity less than 70%.
- Please be careful during operation. Do not touch the AC power supply in case of electric shock.
- Please leave at least 20% power for the power supply during using to ensure there is enough power supply to drive the product.
- Do not use any acid or alkaline adhesives to fix the product (e.g.: glass cement).