



## Optics type series flex strip

P/N: R020GW15B-TJ

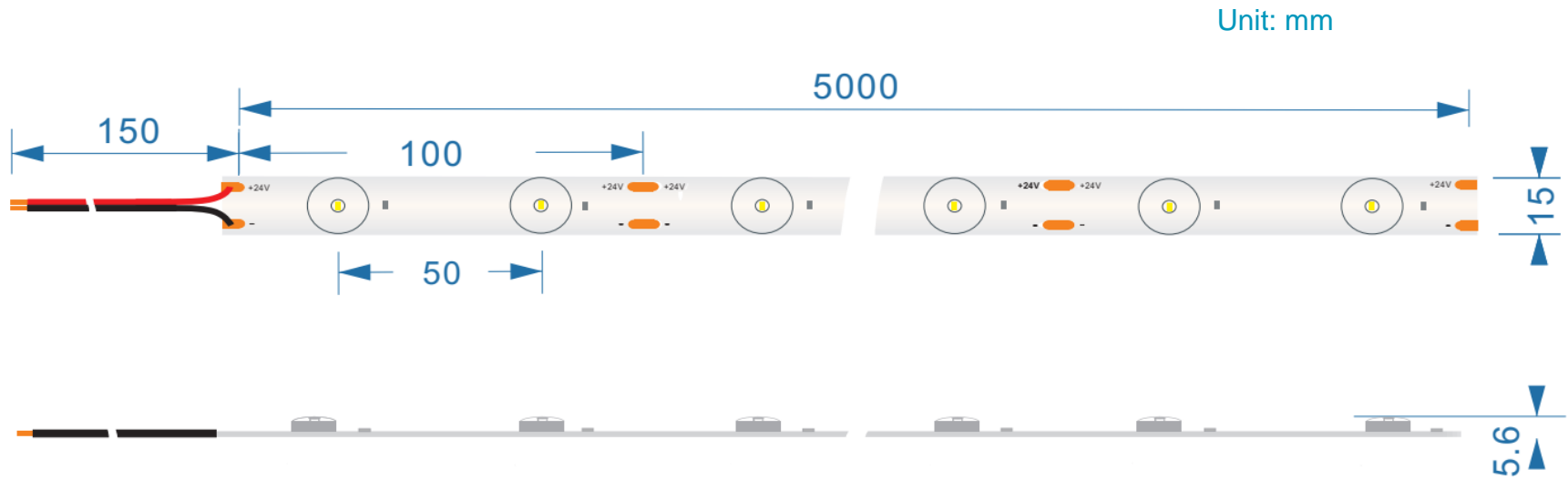
## Areas of application

- It is suitable for indoor advertising light box lighting in hotels, shopping malls, etc.
- Suitable for light boxes and channel letters with a thickness of 50~300mm

## Product main benefits

- Use high-efficiency 2835 LED, 20 LED chips per meter
- Excellent thermal and voltage drop design ( 2 OZ copper FPC design)
- Beam angle: 160°.
- IP Grade: IP20.
- Roll-like packaging, convenient and quick installation.
- It is flexible to use and can be cut to different lengths.
- The normal life span can reach 30,000 hours (at tc 50°C).





Product size	5000*15*5.6 mm
Cut-able unit	100mm
LED pitch	50 mm
LED quantity	20 LEDs/m
Max. cascade length	5 m
Min. bend diameter	30 mm
Mounting solution	3M tape
Operating ambient	-25°C~45°C
Storage environment	-25°C~60°C / 60% RH

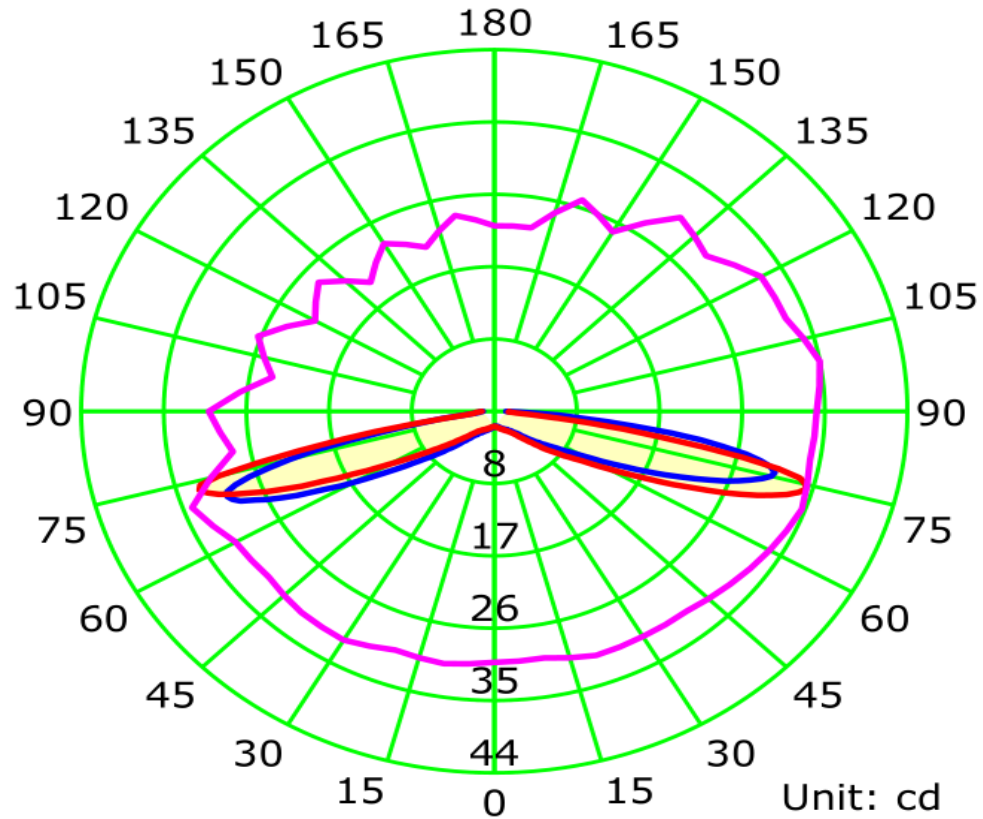
Product numbers	Input voltage	Rated current	Typical power	Color rendering index	Color temperature	Lumen	Luminous efficiency
R020GW15B-TJ	24V DC	416 mA/m	10 W/m	>80	2700K	1050 lm	105 lm/W
					3000k	1090 lm	109lm/W
					4000K	1150 lm	115lm/W
					5000K	1150 lm	115 lm/W
					6500K	1100 lm	110 lm/W

## Wavelength and color temperature range

Red	Green	Blue	Yellow	Warm white	Business white	White	Cool white
619-635	512-528	463-475	584-595	2700-3300	3800-4600	5500-7000	>8000

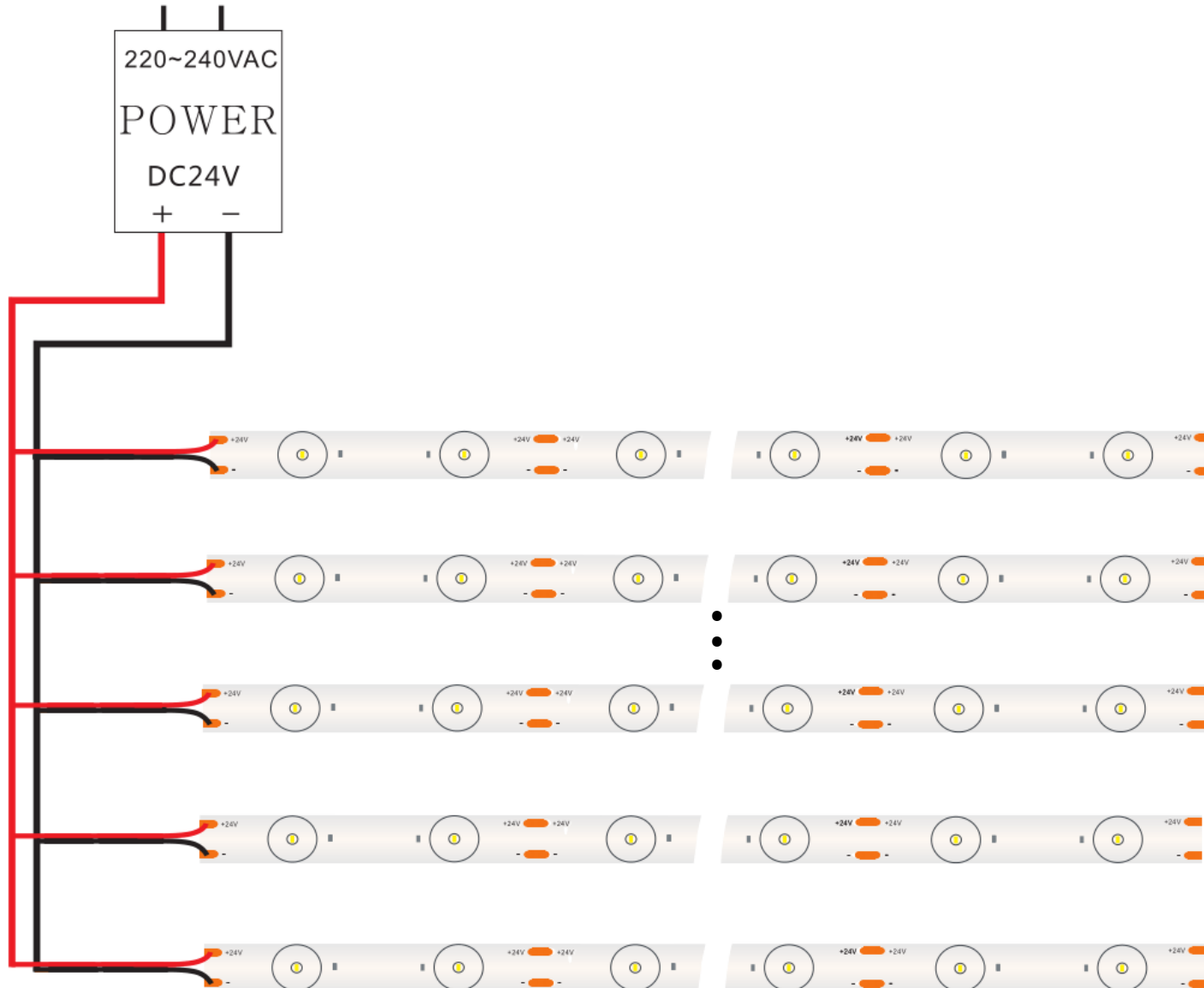
1. Ranking at  $t_a = 25^\circ\text{C}$ .
2. Tolerance of measurements for brightness is  $\pm 10\%$ , tolerance of measurements for the Chromaticity Coordinate is  $\pm 0.01$ .

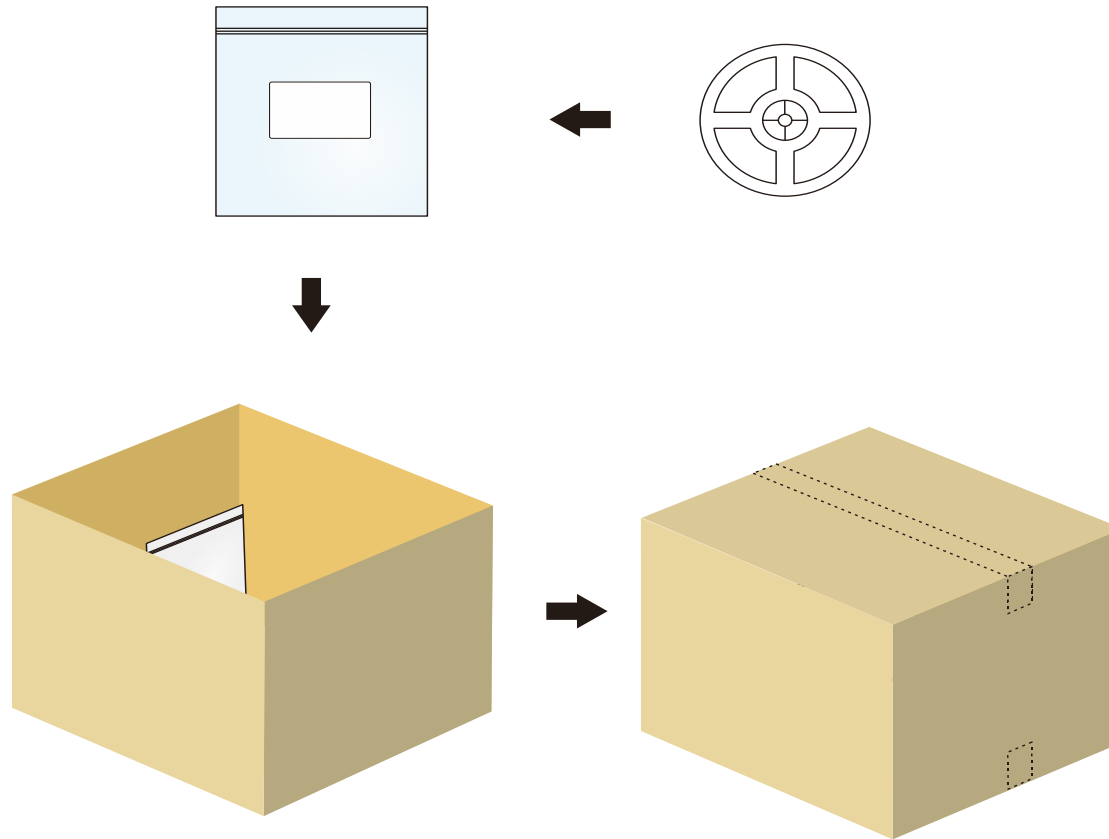
## Luminous Intensity Distribution Curve



Average Diffuse Angle(50%): 159.0°

— C0-C180 — C90-C270 — G75





Model NO.	Product Size	Inner Carton Size	Outer Carton Size	Packing Quantity	Gross Weight
R020GW15B-TJ	5000*15*5.6mm	/	52*37*26CM	50bags	10Kg

- Installation of LED modules (with power supplies) needs to be made under consideration of all valid regulations and norms.
- Installation by qualified electrician only.
- Please drive the led strip with isolated power, and the ripple of the constant voltage source should be less than 5%.
- Please do not bend the strip into an arc with a diameter less than 20mm to ensure the longevity and reliability.
- Do not fold it in case any damage of LED beads.
- Do not pull the power wire hard to ensure the longevity. Any crash may damage the colloidal surface is prohibited.
- Please make sure the wire is connected to the anode and cathode correctly. The power output should be consistent with the voltage of the strip to avoid damage.
- LED lights should be stored in dry, sealed environment. Please only unpack it before usage. Ambient temperature:  $-20\text{ }^{\circ}\text{C} \sim +40\text{ }^{\circ}\text{C}$ . Storage temperature:  $-25\text{ }^{\circ}\text{C} \sim +60\text{ }^{\circ}\text{C}/60\%\text{RH}$ .
- Please use the strips without waterproof within indoor environment with humidity less than 70%.
- Please be careful during operation. Do not touch the AC power supply in case of electric shock.
- Please leave at least 20% power for the power supply during using to ensure there is enough power supply to drive the product.
- Do not use any acid or alkaline adhesives to fix the product (e.g.: glass cement).