



## Cardan bending series strip

P/N: RCC0GX08A-X

RCC0GX08B-X

## Areas of application

- Landscape lighting, facade lighting, steps, bridges, roads, shape, etc.

## Product main benefits

- High quality 2835 SMD LED
- Calendaring copper processing for FPC, more stronger and reliable
- Uniform lighting, dot free
- Bend at any angle by unique design
- Excellent weather and corrosion resistance
- 2700K-6500K, other color available

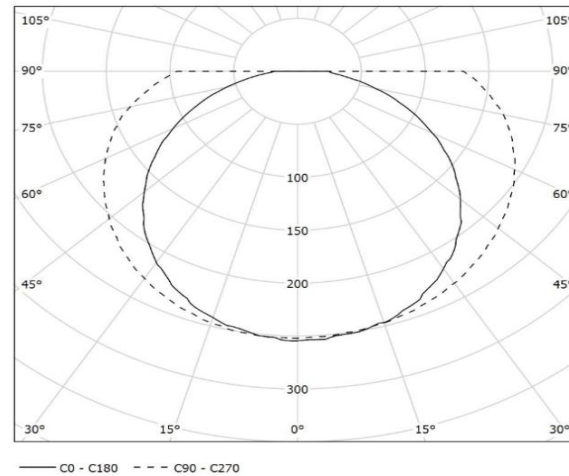


Product numbers	Input voltage	Rated current	Typical power	Color rendering index	Wavelength/Color or temperature	Lumen	Luminous efficiency
RCC0GR08A-X	12V DC	1200mA/m	14.4W/m	/	620~625nm	80lm	/
RCC0GG08A-X	12V DC	1200mA/m	14.4W/m	/	520~528nm	50lm	/
RCC0GB08A-X	12V DC	1200mA/m	14.4W/m	/	465~470nm	40lm	/
RCC0GY08A-X	12V DC	1200mA/m	14.4W/m	/	590-596nm	80lm	/
RCC0GO08A-X	12V DC	1200mA/m	14.4W/m	/	600-605nm	250lm	/
RCC0GX08A-X	12V DC	1200mA/m	14.4W/m	>80	2700K	620lm	43lm/W
					3000K	650lm	45lm/W
					4000K	670lm	47lm/W
					5000K	670lm	47lm/W
					6500K	640lm	45lm/W
RCC0GX08B-X	24V DC	600mA/m	14.4W/m	>80	2700K	630lm	44lm/W
					3000K	660lm	46lm/W
					4000K	680lm	48lm/W
					5000K	680lm	48lm/W
					6500K	650lm	45lm/W

-Test environment temperature 25°C ±2°C

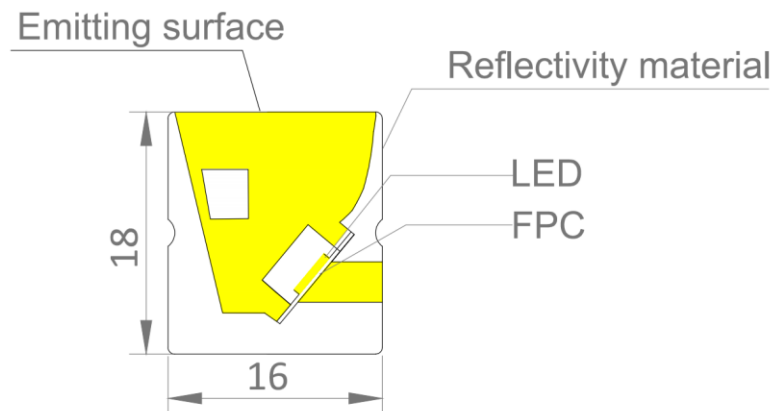
-All above data is typical value, flux tolerance ±10%, beam angle tolerance ±5°, wavelength tolerance ±2nm, power tolerance ±5%.

## Photometric data



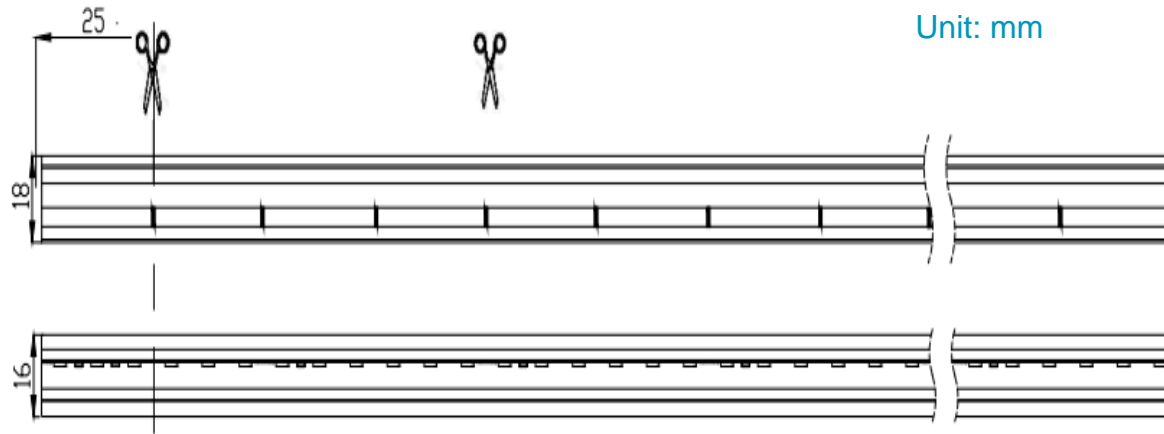
Beam angle(50%I<sub>max</sub>): 114°

## Section view

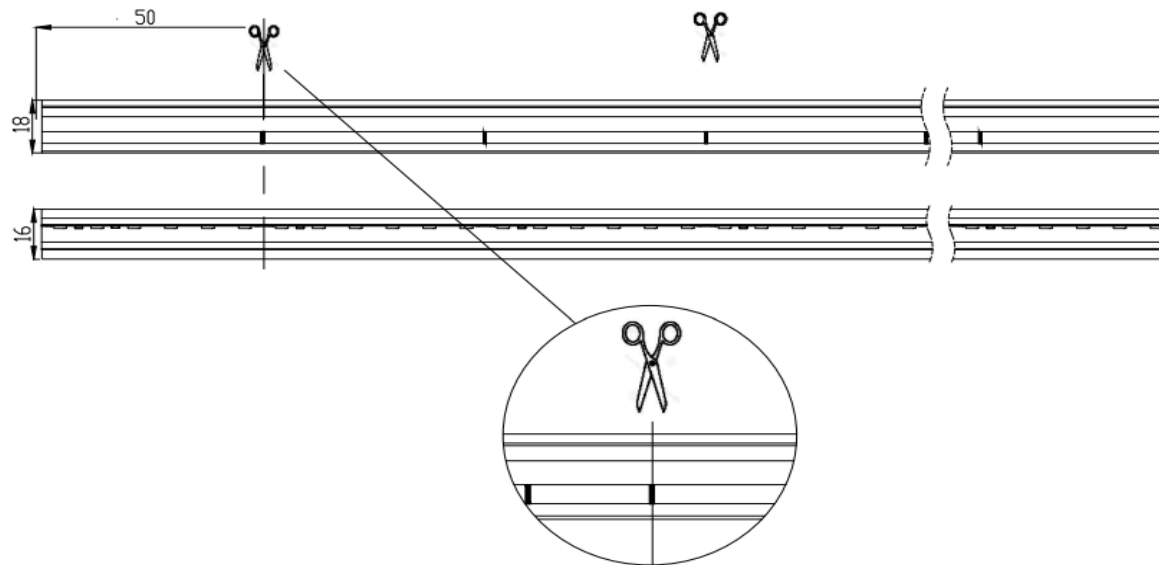


Unit: mm

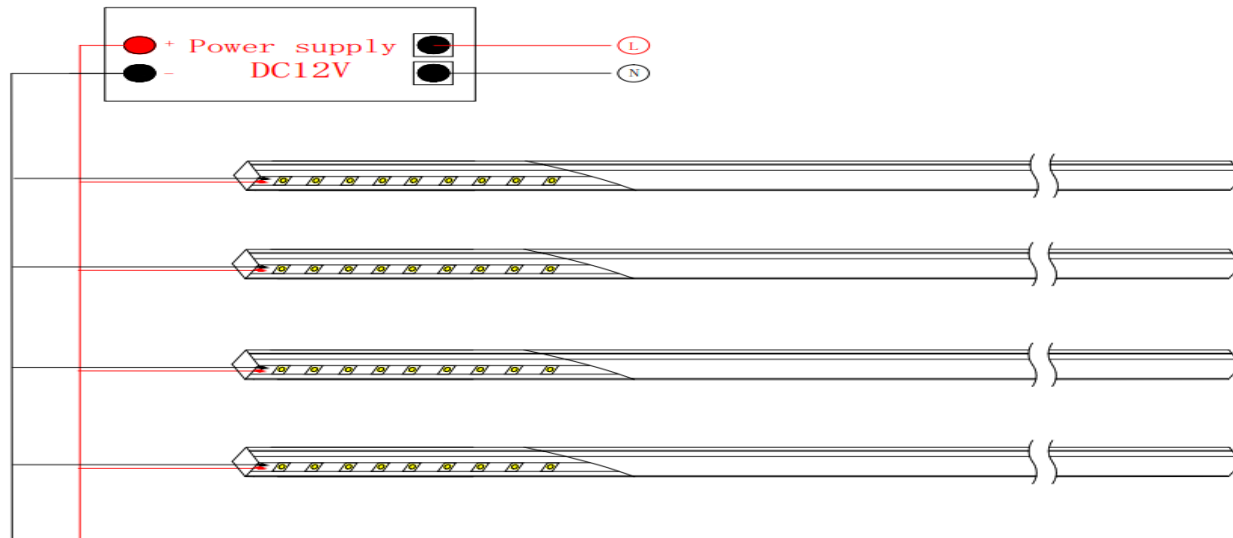
RCC0GX08A-X



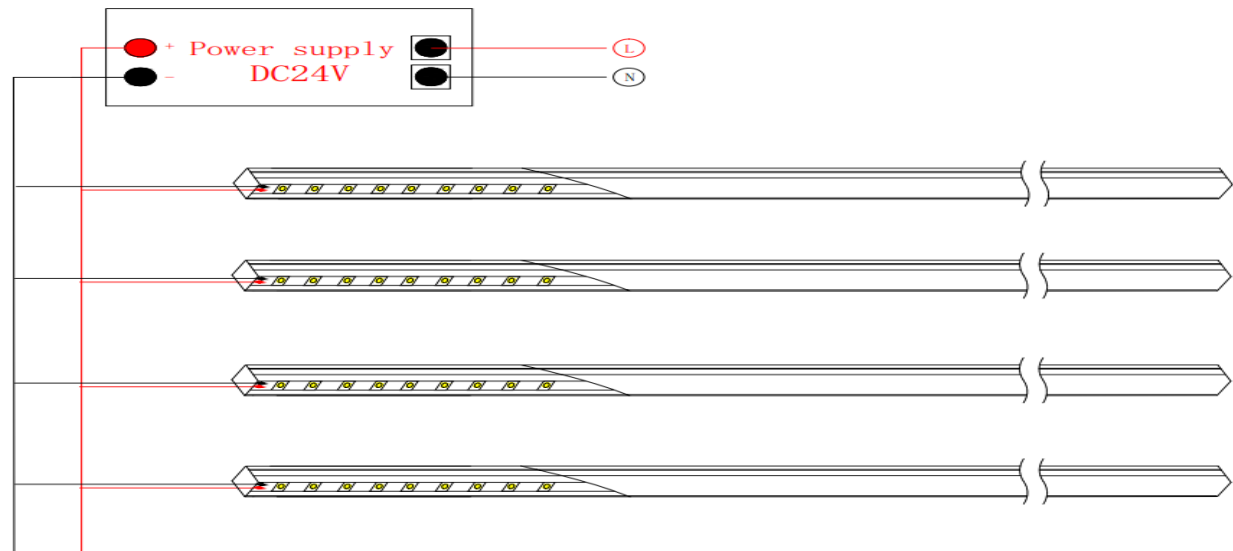
RCC0GX08B-X

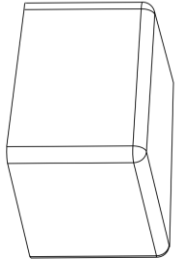


RCC0GX08A-X

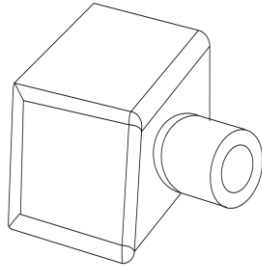


RCC0GX08B-X

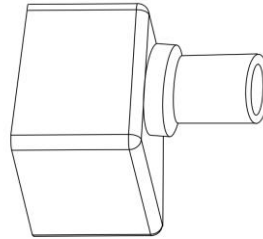




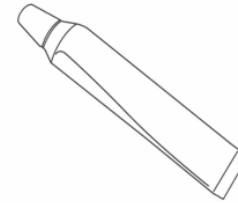
Head up-bottom



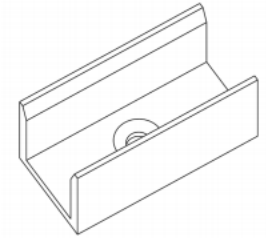
Head cup-side



Head up- straight



Sealing glue

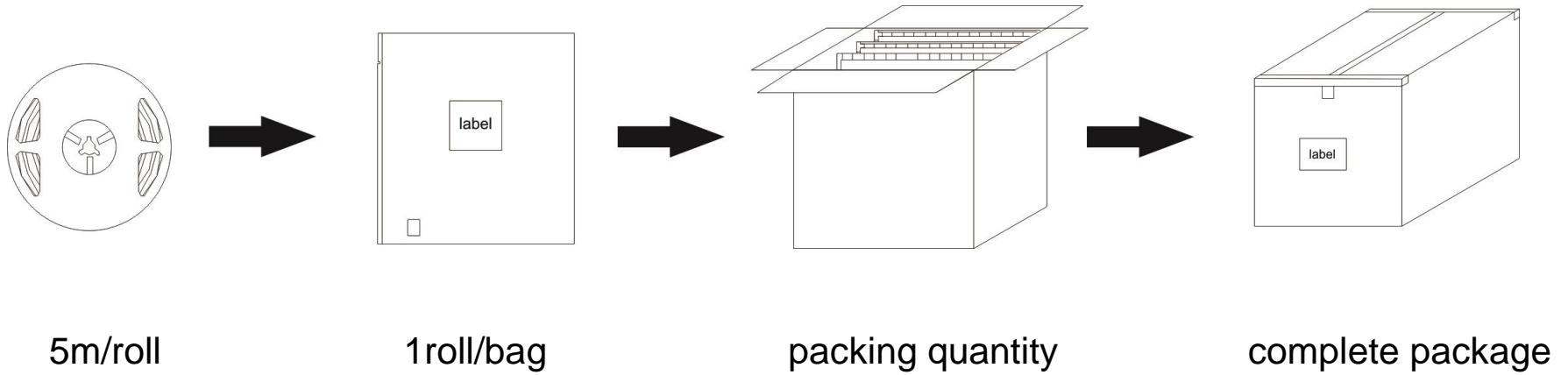


Mounting base

## Environmental and application condition

---

Operation temperature	-25°C~50°C
Storage temperature	-40°C~70°C
Maximum surface temperature (Tc)	65°C



Model NO.	Product Size	Inner Carton Size	Outer Carton Size	Packing Quantity	Gross Weight
RCC0GX08A-X	5000*16*18mm	/	37*34*34CM	5bags	5.2Kg
RCC0GX08B-X	5000*16*18mm	/	37*34*34CM	5bags	5.2Kg

## Supplementary Product Information

---

- Installation of LED modules (with power supplies) needs to be made under consideration of all valid regulations and norms.
- Installation by qualified electrician only.
- Please drive the led strip with isolated power, and the ripple of the constant voltage source should be less than 5%.
- Please do not bend the strip into an arc with a diameter less than 20mm to ensure the longevity and reliability.
- Do not fold it in case any damage of LED beads.
- Do not pull the power wire hard to ensure the longevity. Any crash may damage the colloidal surface is prohibited.
- Please make sure the wire is connected to the anode and cathode correctly. The power output should be consistent with the voltage of the strip to avoid damage.
- LED lights should be stored in dry, sealed environment. Please only unpack it before usage. Ambient temperature: -20 °C ~ + 40 °C. Storage temperature: -25 °C ~ + 60 °C/60%RH.
- Please use the strips without waterproof within indoor environment with humidity less than 70%.
- Please be careful during operation. Do not touch the AC power supply in case of electric shock.
- Please leave at least 20% power for the power supply during using to ensure there is enough power supply to drive the product.
- Do not use any acid or alkaline adhesives to fix the product (e.g.: glass cement).
- Must have extra power supply if the working length exceeds the maximum run length.
- The joints of extended strips should be deal with waterproof when using waterproof products.