

RZ064WW08B

Flexible Strip-64D-W8-Series

Feature:

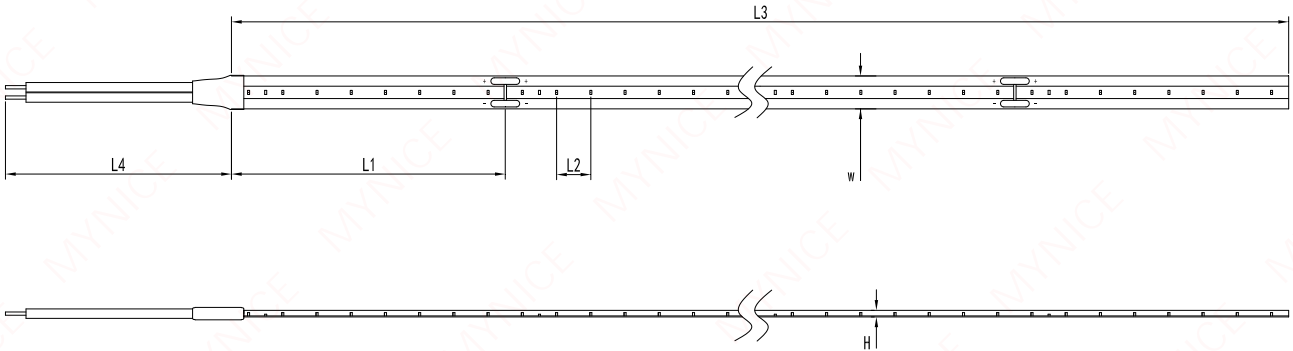


- Using CSP Package, small volume, large luminous Angle, good light and color consistency.
- High temperature resistance, good heat dissipation, less light decay.
- CSP & FPC flexible roll to roll operation, high efficiency, the length of arbitrary cutting.
- Low pressure drive, glue drop protection lamp beads, safe and reliable.

Technical Specifications:				Symbol	CCT	Flux Lm/m
Rated Power	6.0W/m	IP	IP20	●	2700K	535
Rated Voltage	DC24V			●	3000K	565
LED Qty.	64LED/m			●	4000K	580
LED Package	CSP			●	5000K	525
Colour/Ra	Ra>80			●	6000K	575
Beam Angle	170°			●	R	
SDCM	3/5SDCM			●	G	
Operating Temp.	-20~45°C			●	B	
Storage Temp.	-20~60°C			●	W	
Lifespan	>50, 000h			●	RGB/RGBW	

※The above power lumen data is based on the measurement results when the product length is 1 meter and the color temperature is 4000K, with a measurement deviation of ±10%.

Product Size:



						Units: mm
Code	Cut/L1	Distance/L2	Length/L3	Cable/L4	Width/W	Height/H
Value	125	15.625	5000	100	8	1.6
Tolerance	±1	±1	±10	±10	±0.2	±0.1

5

Accessory Information:



General installation



Good fixed

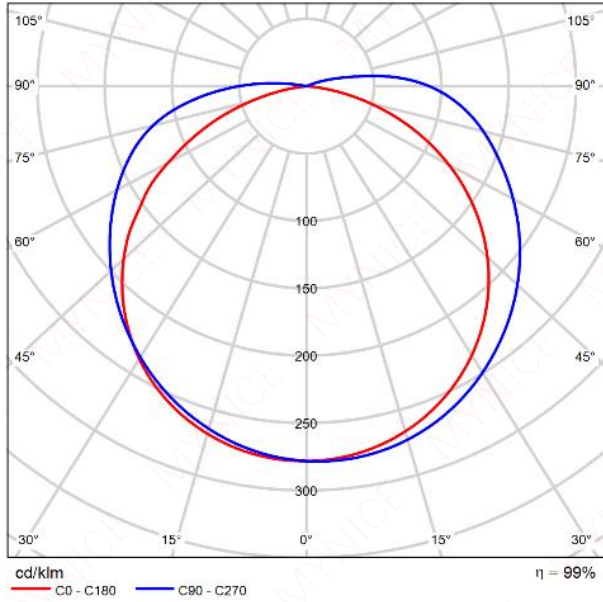


Medium and long-term durability



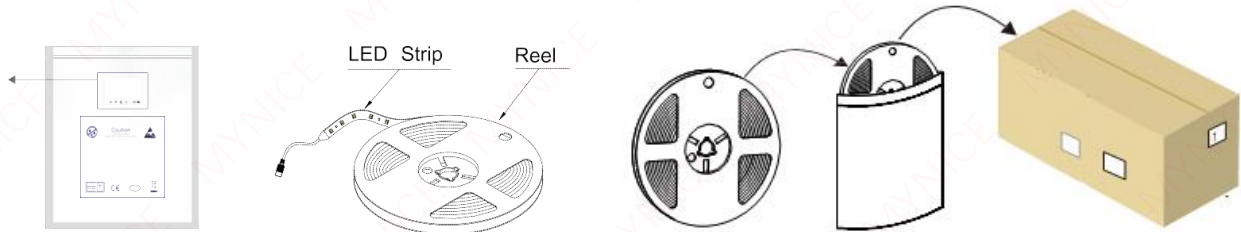
※ Optional fixed buckle

Luminous Intensity Distribution Diagram :



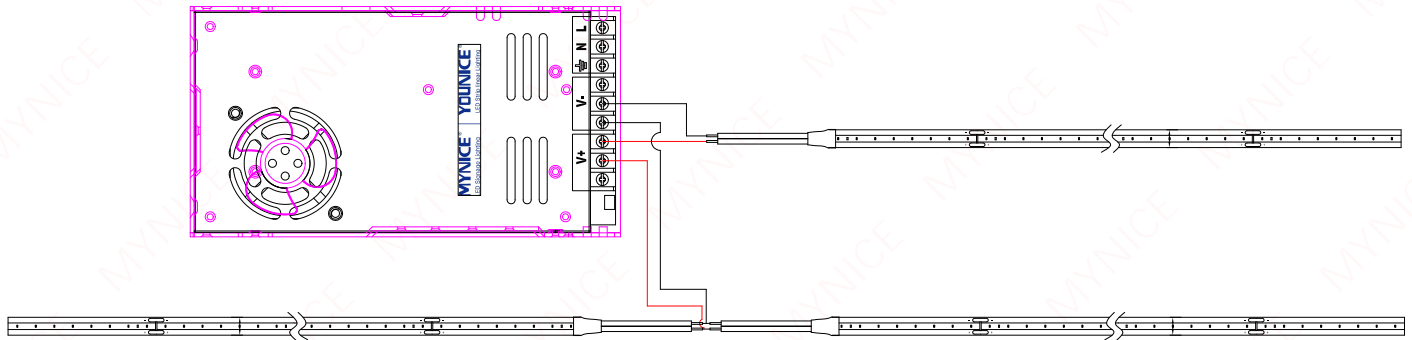
Average Beam Angle(50%):129.3 DEG

Packaging Information :



Net weight (g)	Inner box size (cm)/weight (kg)	Qty PCS/CTN	Carton Size(cm)/GW.(kg)

Electric Diagram:



Cautions:

- Installation of LED modules (with power supplies) needs to be made under consideration of all valid regulations and norms.
- Installation by qualified electrician only.
- Please drive the led strip with isolated power, and the ripple of the constant voltage source should be less than 5%.
- Please do not bend the strip into an arc with a diameter less than 20mm to ensure the longevity and reliability.
- Do not fold it in case any damage of LED beads.
- Do not pull the power wire hard to ensure the longevity. Any crash may damage the colloidal surface is prohibited.
- Please make sure the wire is connected to the anode and cathode correctly. The power output should be consistent with the voltage of the strip to avoid damage.
- LED lights should be stored in dry, sealed environment. Please only unpack it before usage. Ambient temperature: -20 °C ~ + 45 °C. Storage temperature: -25 °C ~ + 60 °C/60%RH.
- Please use the strips without waterproof within indoor environment with humidity less than 70%.
- Please be careful during operation. Do not touch the AC power supply in case of electric shock.
- Please leave at least 20% power for the power supply during using to ensure there is enough power supply to drive the product.
- Do not use any acid or alkaline adhesives to fix the product (e.g.: glass cement).
- The joints of extended strips should be deal with waterproof when using waterproof products.