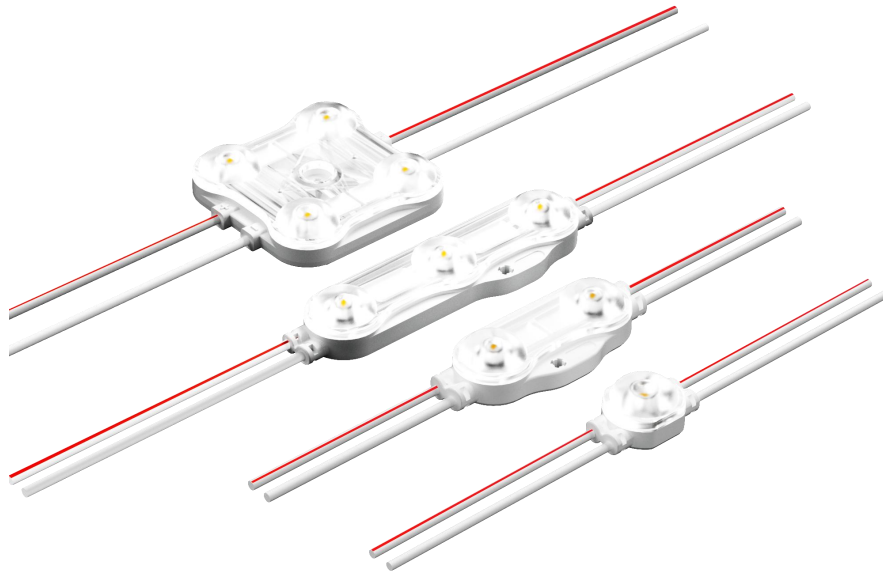


Product datasheet



Sign

Sign1: M21GW44A

Sign3: M23GW44A

Sign2: M22GW44A

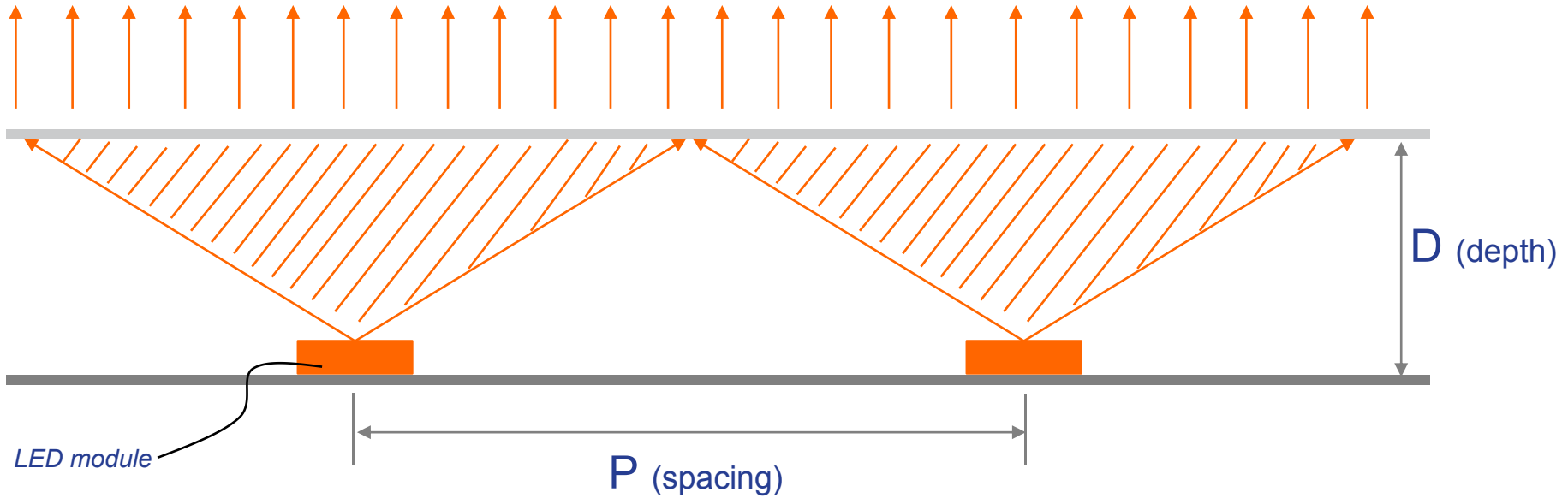
Sign4: M24GW44A

Areas of application

- Signage and illuminated advertising.
- Backlighting of channel letters and light box.
- Best for 50mm to 200mm depth (2inch to 8inch).

Product main benefits

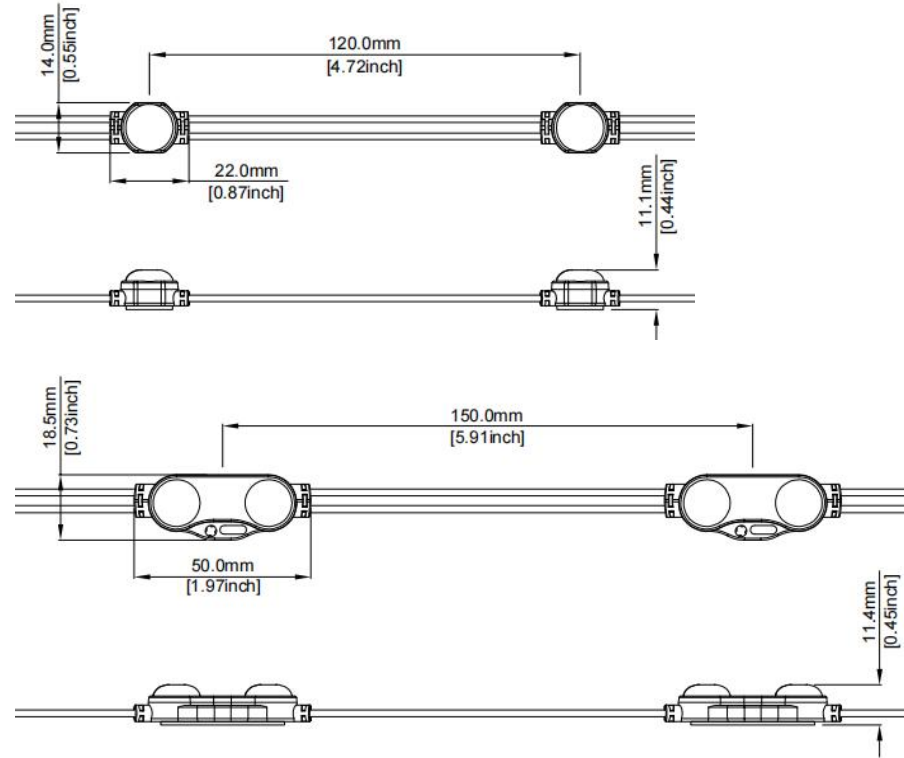
- Classic optics lens design for good uniformity application performance.
- 3/5 years warranty.
- 100lm/W.
- IP66.



$$\text{optical performance proportion} = \frac{D(\text{depth})}{P(\text{spacing})} = 1:2$$

- The proportion of “P” and “D” can show the performance of lens optics design.
- The bigger proportion, the wider light spot.
- The proportion is for reference from lab, actual layout need based on real application.

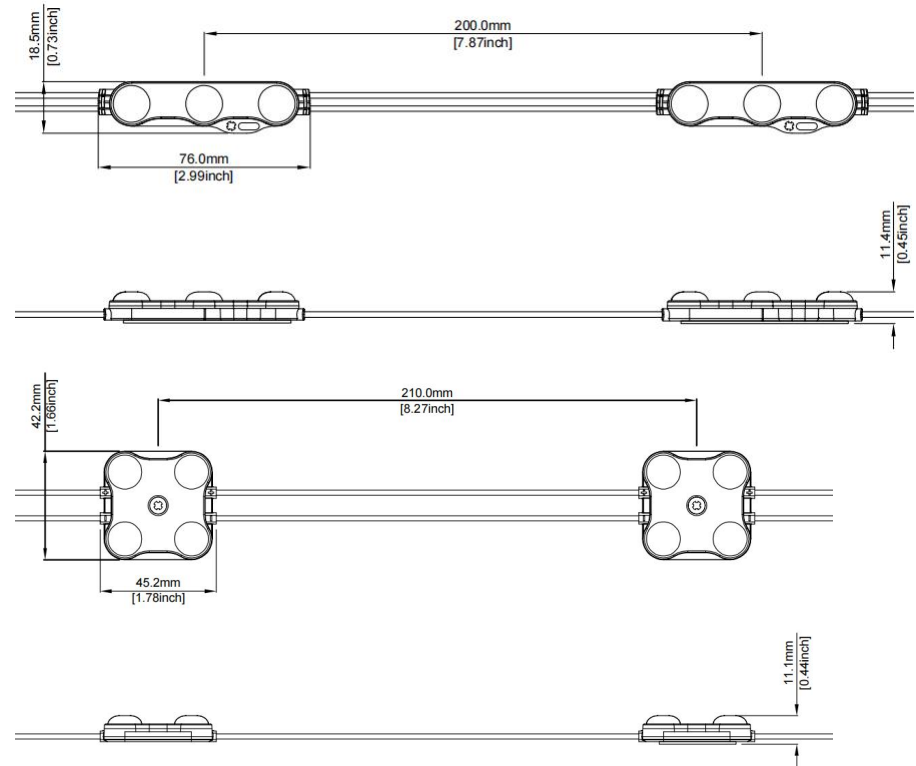
Sign1 & Sign2 parameters



Product (6500K*)	Model	Voltage	Energy Consumption			Brightness			Cascade
			W/module	W/chain	W/ft.	lm/module	lm/ft.	E. LPW	/chain
Sign1	M21GW44A	12VDC	0.5	20	1.3	50	127	100	40
Sign2	M22GW44A	12VDC	1.0	30	2.0	100	203	100	30

1. Constant voltage design, the tolerance of all parameters data is $\pm 10\%$.
2. * Can be 2700K, 3000K, 4000K, 5000K, 7100K, >8000K or other CCT.


Sign3 & Sign4 parameters



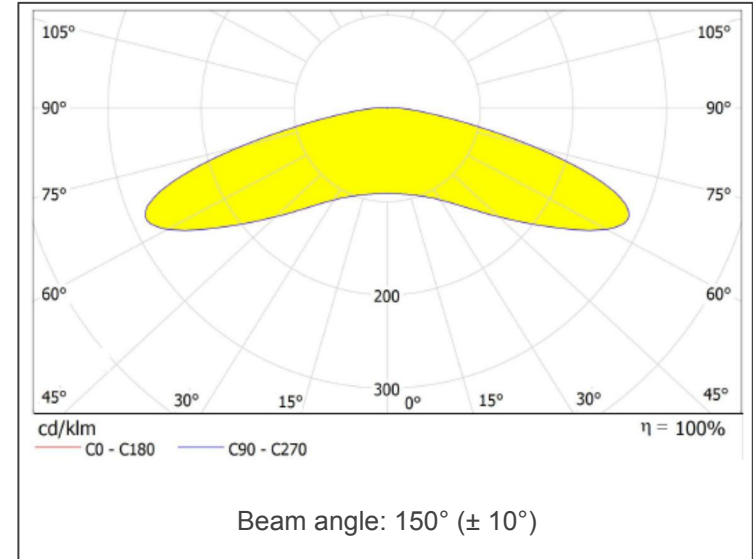
Product (6500K*)	Model	Voltage	Energy Consumption			Brightness			Cascade
			W/module	W/chain	W/ft.	lm/module	lm/ft.	E. LPW	/chain
Sign3	M23GW44A	12VDC	1.5	30	2.3	150	229	100	20
Sign4	M24GW44A	12VDC	2.0	40	2.9	200	290	100	20

1. Constant voltage design, the tolerance of all parameters data is $\pm 10\%$.
2. * Can be 2700K, 3000K, 4000K, 5000K, 7100K, >8000K or other CCT.

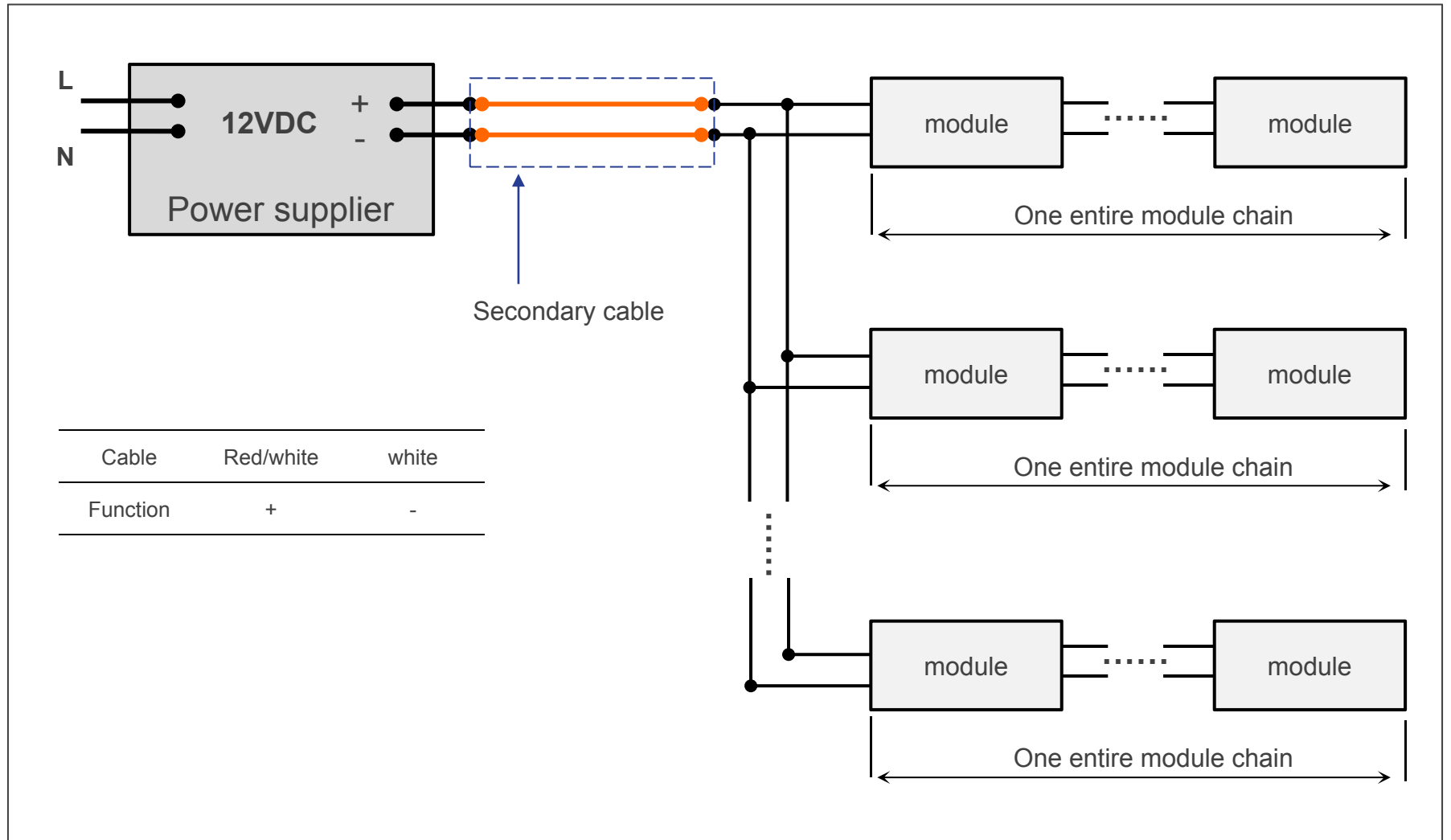
Application Conditions and light distribution

Operating Environment (t_a)	-25°C to +55°C
Storage Temperature Range (t_s)	-40°C to +85°C
IP Rating	IP66
Lifetime Warranty (L70B50)	3/5 years
t_c temperature	70°C
Energy Efficacy Class	F ($\eta_{TM} = 92.6\text{lm/W}$)
	
Dimming mode	PWM dimmable
Cutting Solution	Cut on wire between every module
Certification	CE, BIS
Safety Requirements	IEC/EN 62031, IEC/EN 60598-1 , IEC/EN 61347-1

Distribution Graph



Wiring method



Package and additional information

Product	Model	Package unit (modules/carton box)	Carton box	Dimensions (length x width x height)
Sign1	M21GW44A			52 x 37 x 26 cm
Sign2	M22GW44A			52 x 37 x 26 cm
Sign3	M23GW44A			52 x 37 x 26 cm
Sign4	M24GW44A			52 x 37 x 26 cm

Additional information:

1. Installation of LED modules (with power supplies) needs to be made under consideration of all valid regulations and norms.
2. Installation by qualified electrician only.
3. Parallel connection is mandatory for safe electrical operation. Serial connection of LED modules is discouraged. Unbalanced voltage drop in serial connection can cause hazardous overload
4. Electrical contact is achieved with the contact cables or the terminals of the module. Please refer to the technical data for maximum number of LED modules that can be operated on one control gear.
5. To avoid mechanical damage, the LED modules have to be attached securely to the intended mounting surface. It is recommended to avoid heavy vibration.
6. LED modules are dimmable by means of PWM (pulse width modulation).