

Product datasheet



Mini-3

P/N: M23Gx04A

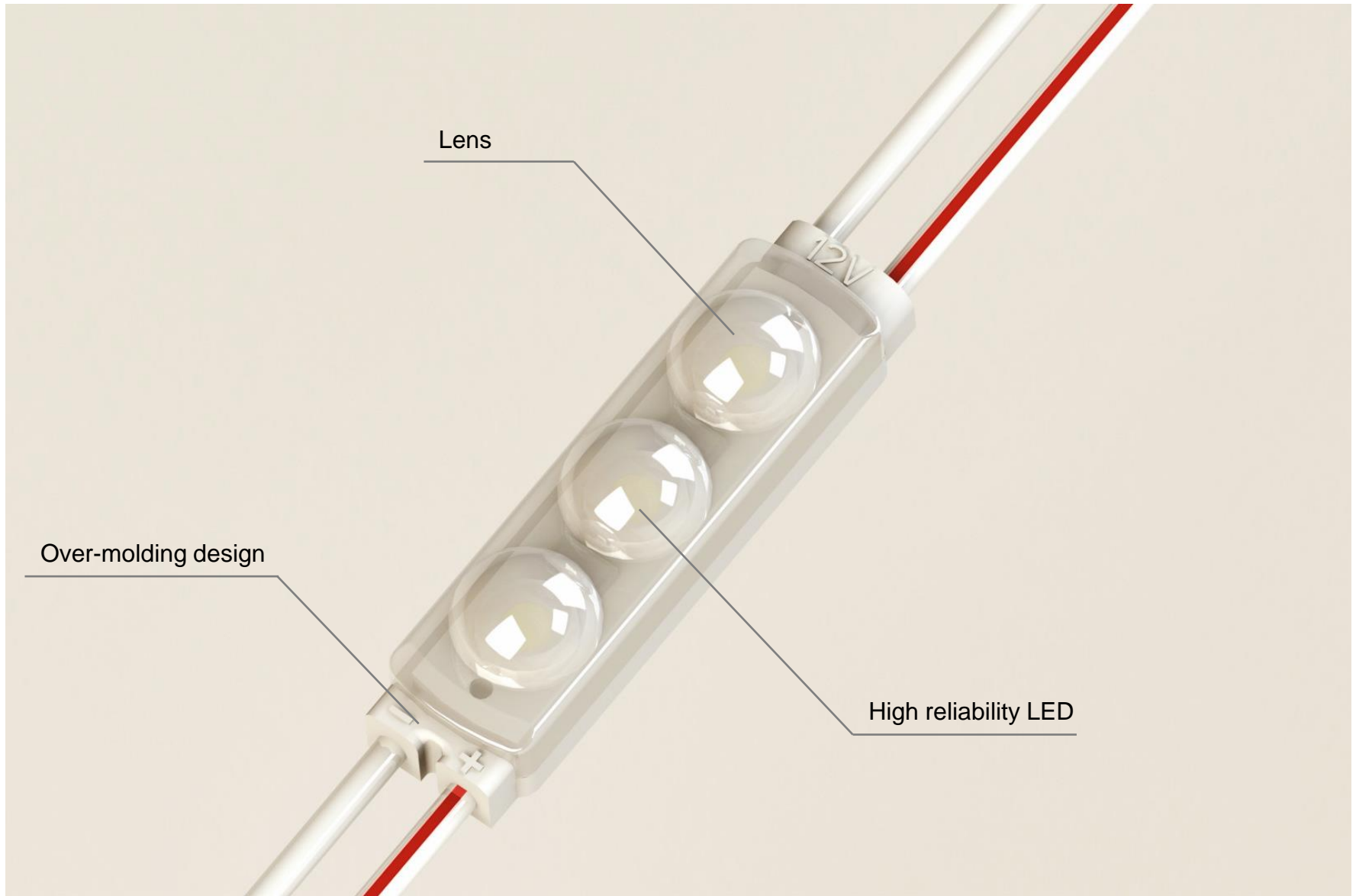
Areas of application

- Signage and illuminated advertising.
- Backlighting of channel letters.
- Best for 30mm to 150mm depth (1.2inch to 6inch).

Product main benefits

- Small module size can be flexible in application.
- IP67.
- 5 Years warranty.
- 0.72 W/module.





PART NUMBERS	Typical Voltage	Energy Consumption (W/module)	Energy Consumption (W/chain)	Energy Consumption (W/ft.)	Additional Information (modules/chain)
M23Gx04A	12VDC	0.72	36	2.2	50

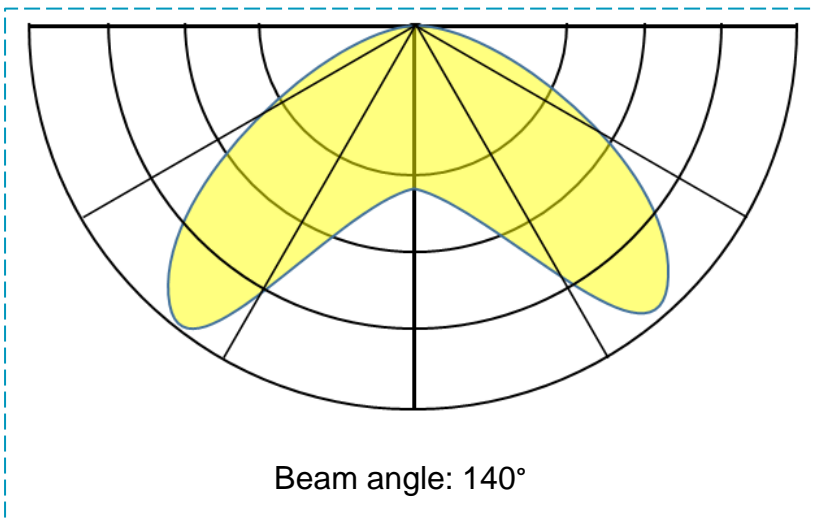
Remark:

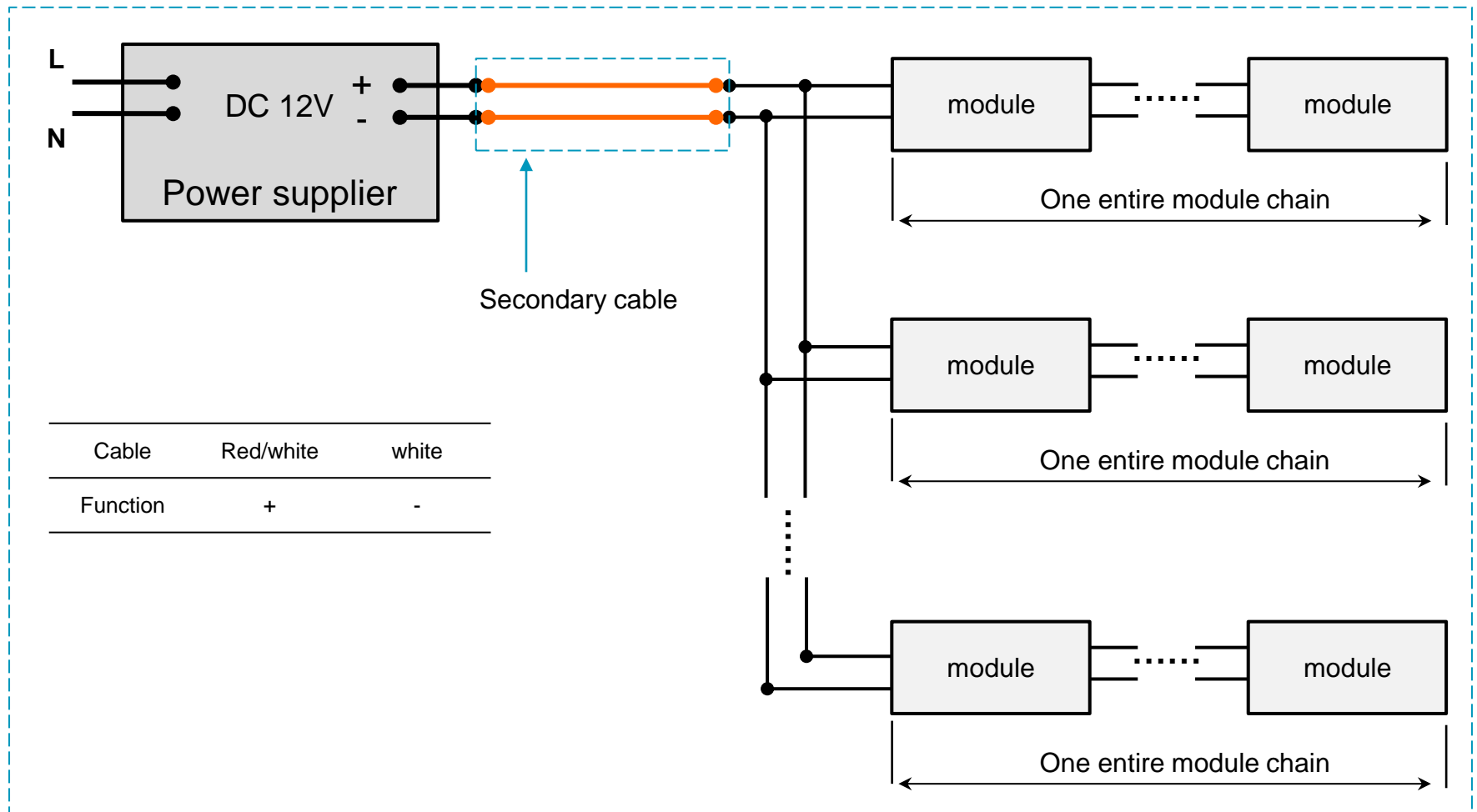
1. Ranking at $t_a = 25^\circ\text{C}$.
2. Constant voltage design.

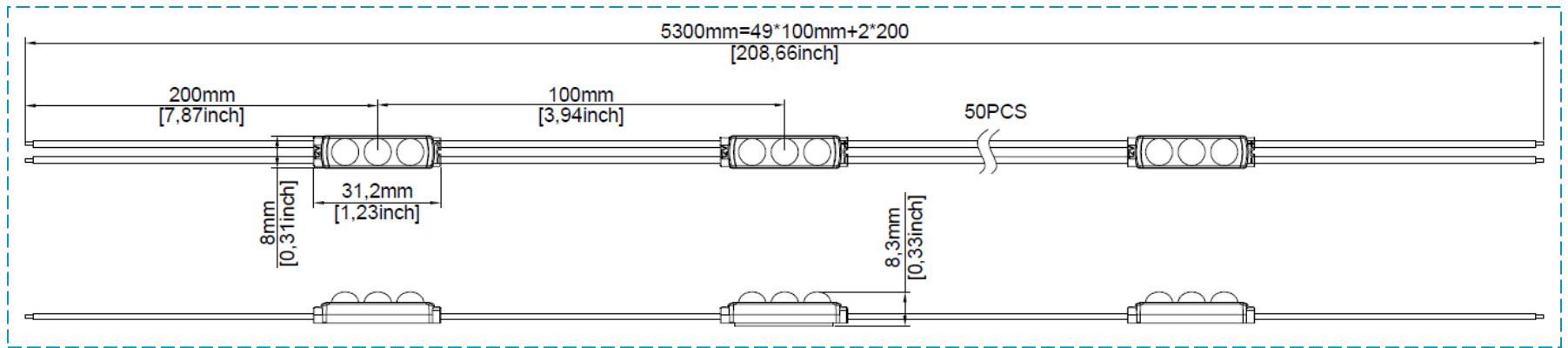
PART NUMBERS	Light color (designation)	Color (CCT, wavelength)	Typical Brightness (lumen/module)	Typical Brightness (lumen/chain)	Typical Brightness (lumen/ft.)
M23GN04A	Warm white	3000K/4000K	65	3250	198
M23GW04A	White	5000K/6500K/7100K	72	3600	220
M23GW04A	Cool White	8000K/10000K	65	3250	198

1. Ranking at $t_a = 25^\circ\text{C}$.
2. Tolerance of measurements for brightness is $\pm 10\%$, tolerance of measurements for the Chromaticity Coordinate is ± 0.01 ; the tolerance of CCT should be calculated accordingly, $R_a > 80$.

Operating Environment (t_a)	-25°C to +55°C
Storage Temperature Range (t_s)	-40°C to +85°C
IP Rating	IP67
Lifetime (L70B50)	50,000 hours
t_c temperature	80°C
Dimming mode	Dimmable
Cutting Resolution	Cut on wire between every module







PART NUMBERS	Package unit (modules/carton box)	Carton box Dimensions (length x width x height)
M23Gx04A		

Additional information:

- Installation of LED modules (with power supplies) needs to be made under consideration of all valid regulations and norms.
- Installation by qualified electrician only.
- Parallel connection is mandatory for safe electrical operation. Serial connection of LED modules is discouraged. Unbalanced voltage drop in serial connection can cause hazardous overload
- Electrical contact is achieved with the contact cables or the terminals of the module. Please refer to the technical data for maximum number of LED modules that can be operated on one control gear.
- To avoid mechanical damage, the LED modules have to be attached securely to the intended mounting surface. It is recommended to avoid heavy vibration.
- LED modules are dimmable by means of PWM (pulse width modulation).