

## Product datasheet



### Mini-1

P/N: M21Gx02A

P/N: M21Gx02A-H (high-efficiency)

### Areas of application

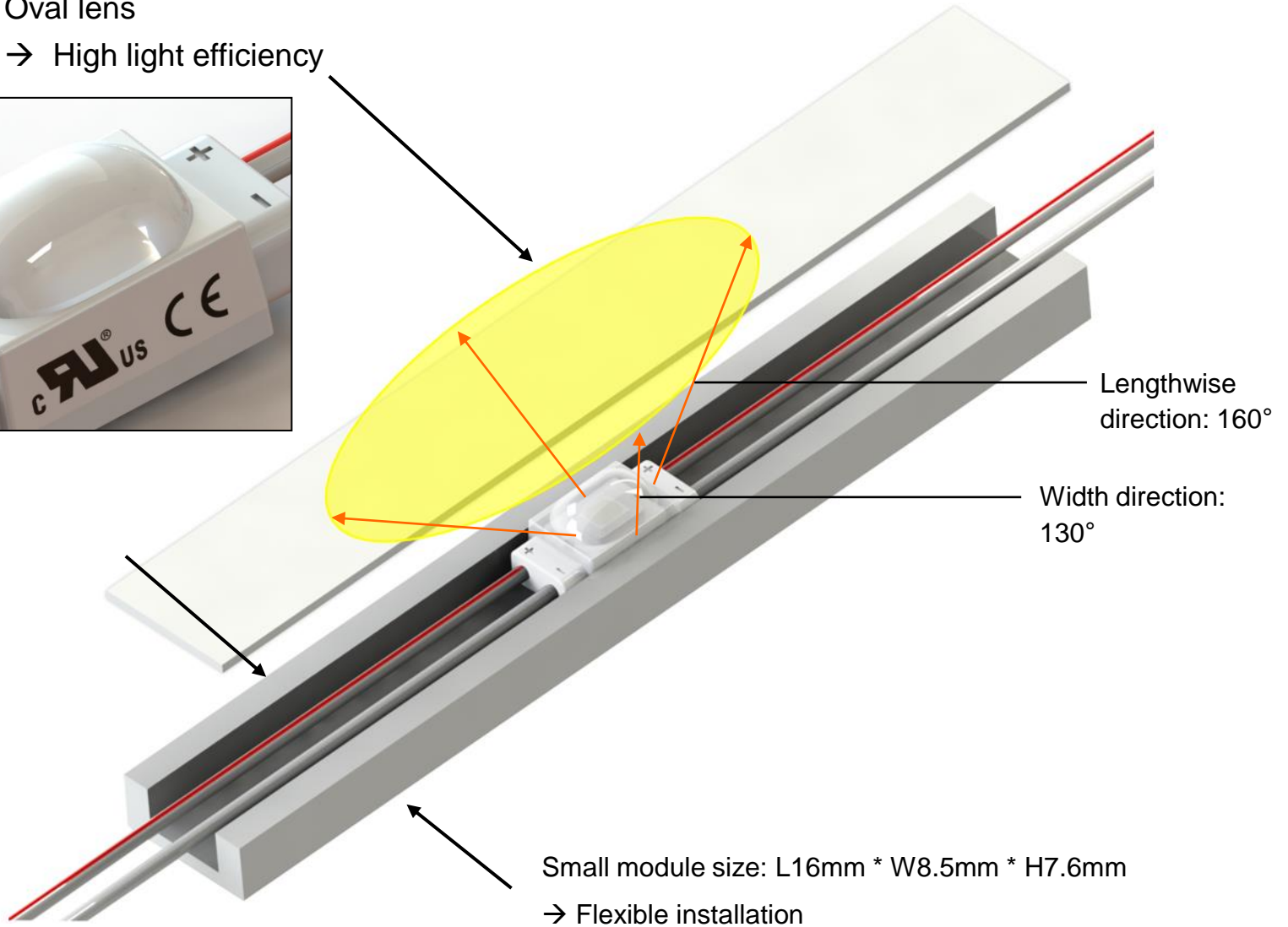
- Signage and illuminated advertising.
- Backlighting of channel letters and block letter.
- Best for 30mm to 100mm depth (1.2inch to 4inch).

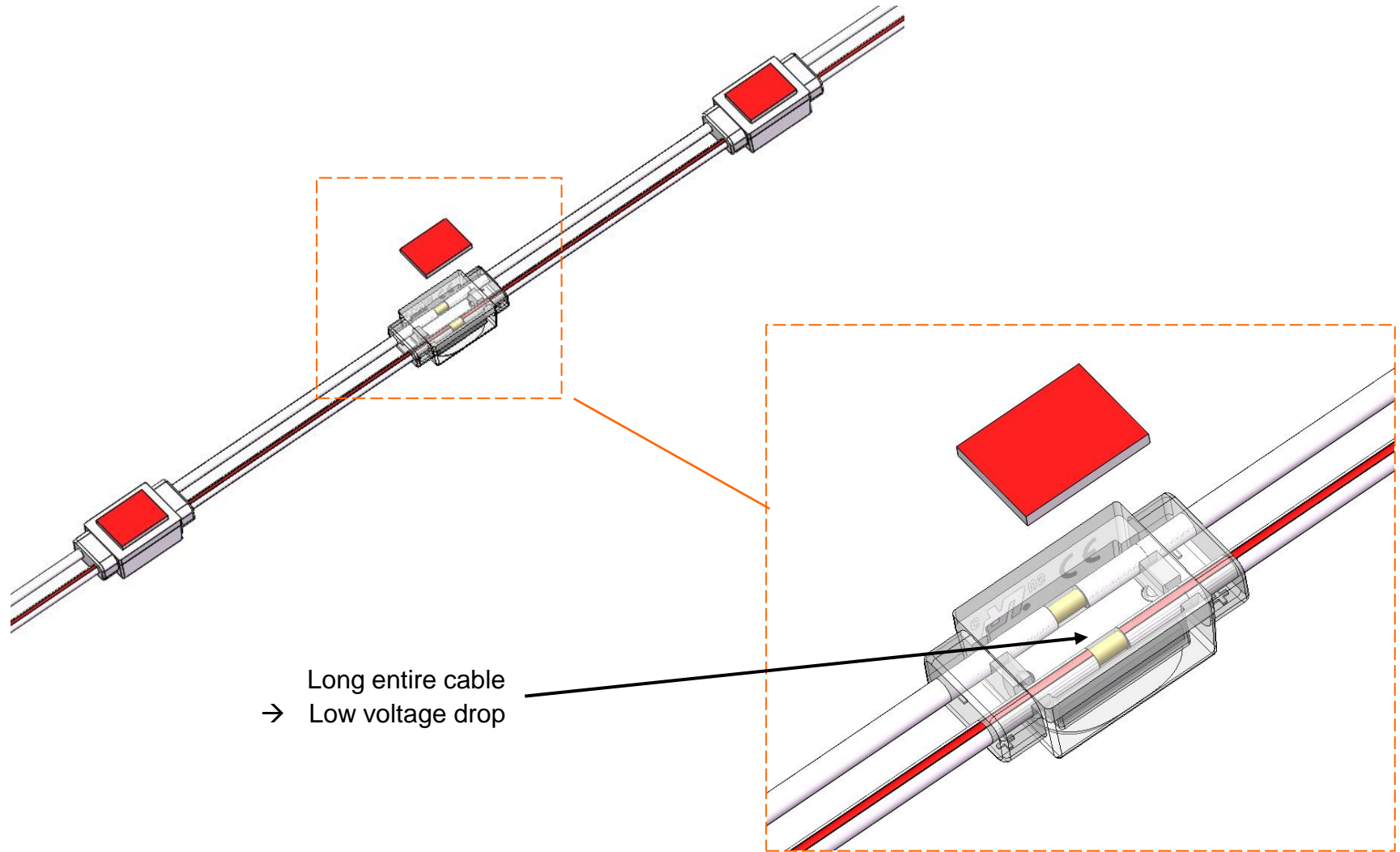
### Product main benefits

- Uniform and efficient illumination at high LED pitches thanks to oval optics design.
- Very small module size design can be flexible in application.
- IP67.
- 5 Years warranty.
- 3 SDCM.
- 160 lm/W.

Oval lens

→ High light efficiency





Long entire cable  
→ Low voltage drop

PART NUMBERS	Typical Voltage	Energy Consumption (W/module)	Energy Consumption (W/chain)	Energy Consumption (W/ft.)	Additional Information (modules/chain)
M21Gx02A-H	12VDC	0.3	30	2.3	100
M21Gx02A	12VDC	0.36	36	2.2	100

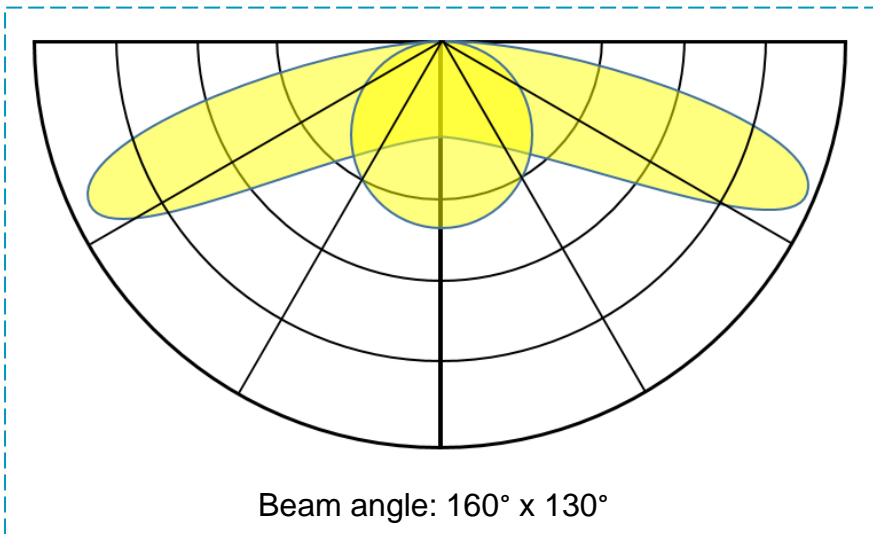
Remark:

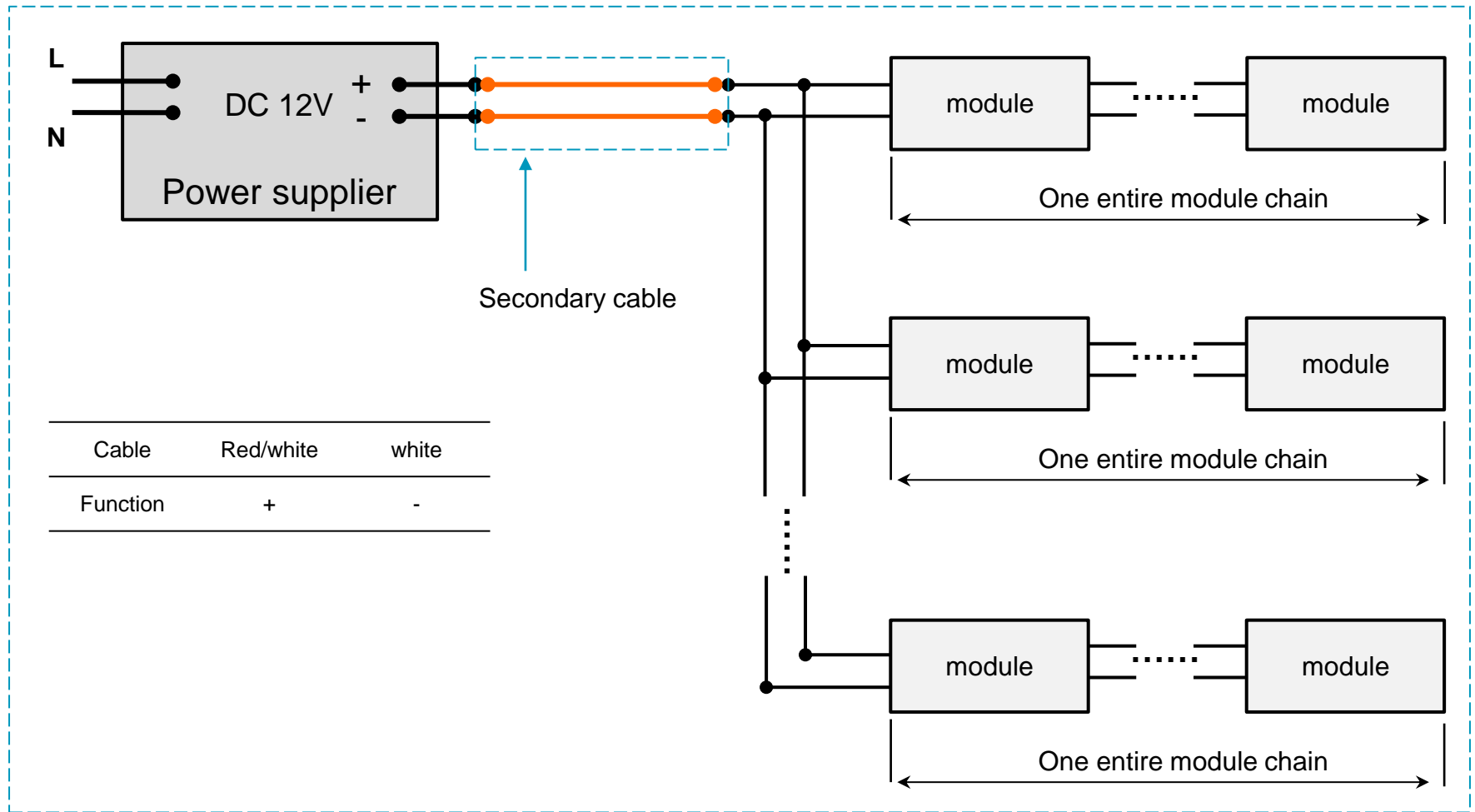
1. Ranking at  $t_a = 25^\circ\text{C}$ .
2. Constant voltage design.

PART NUMBERS	Light color (designation)	Color (CCT, wavelength)	Typical Brightness (lumen/module)	Typical Brightness (lumen/chain)	Typical Brightness (lumen/ft.)
M21GN02A-H	Warm white	3000K/4000K	43	4300	328
M21GW02A-H	White	5000K/6500K/7100K	48	4800	366
M21GW02A-H	Cool White	8000K/10000K	43	4300	328
M21GW02A	White	3000K - 10000K	41	4100	250
M21GR02A	Red	620-625 nm	6	600	46
M21GG02A	Green	520-525 nm	25	2500	191
M21GB02A	Blue	465-470 nm	5	500	38

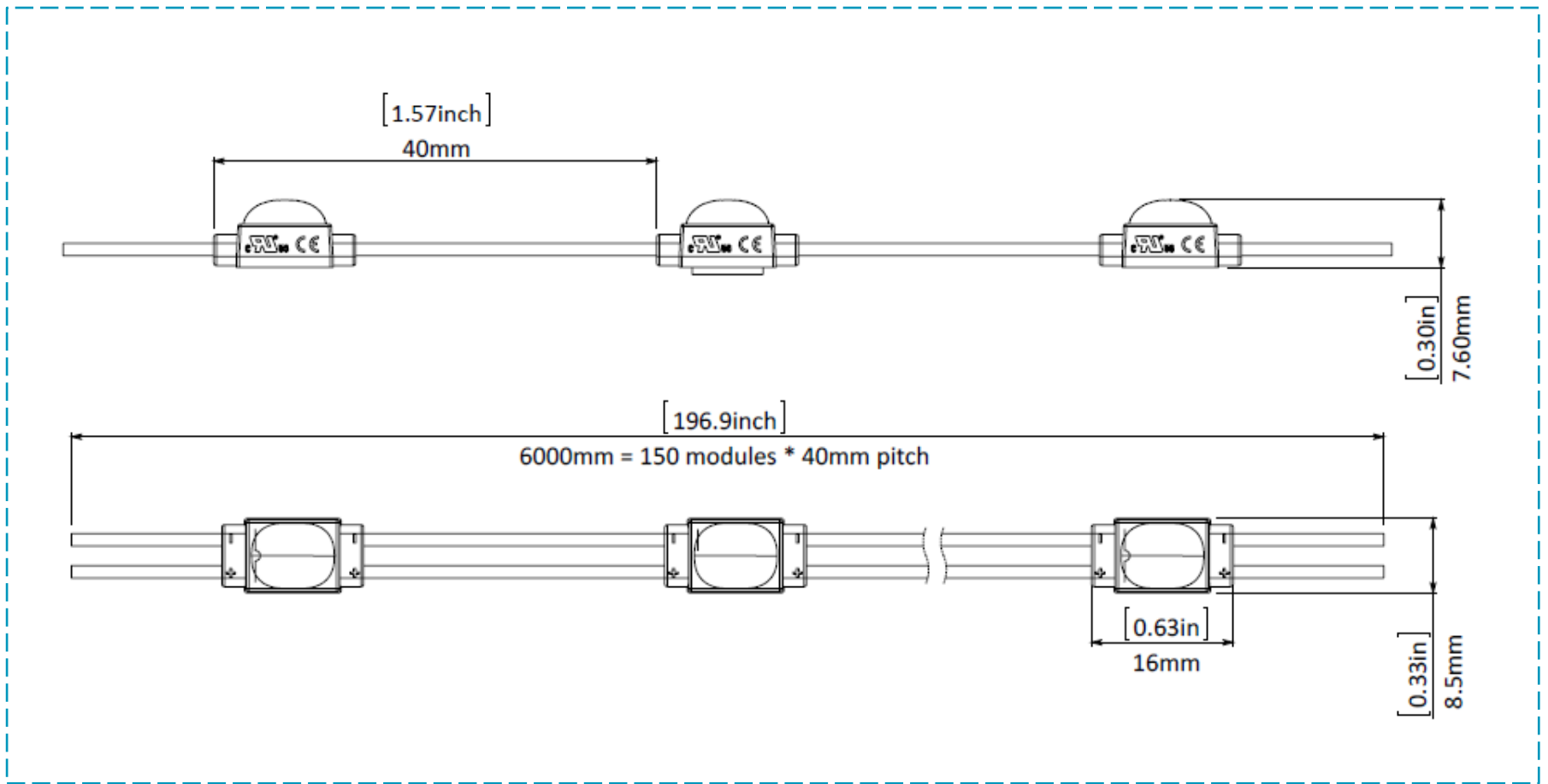
1. Ranking at  $t_a = 25^\circ\text{C}$ .
2. Tolerance of measurements for brightness is  $\pm 10\%$ , tolerance of measurements for the Chromaticity Coordinate is  $\pm 0.01$ ; the tolerance of CCT should be calculated accordingly.

Operating Environment ( $t_a$ )	-25°C to +55°C
Storage Temperature Range ( $t_s$ )	-40°C to +85°C
IP Rating	IP67
Lifetime (L70B50)	50,000 hours
$t_c$ temperature	80°C
Dimming mode	Dimmable
Cutting Resolution	Cut on wire between every module



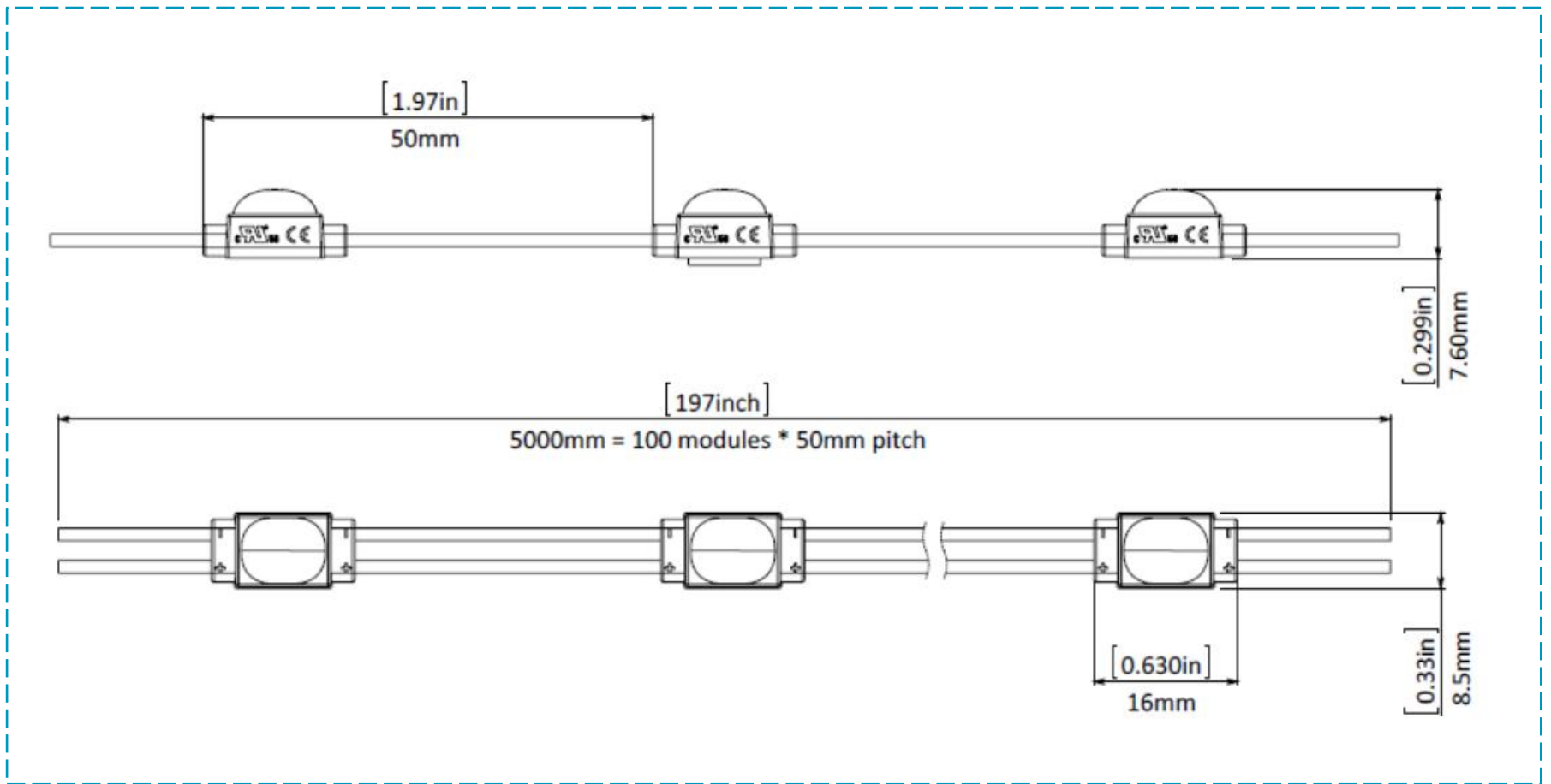


# Drawing (M21Gx02A-H)





# Drawing (M21Gx02A)



PART NUMBERS	Package unit (modules/carton box)	Carton box Dimensions (length x width x height)
M21Gx02A		

## Additional information:

- Installation of LED modules (with power supplies) needs to be made under consideration of all valid regulations and norms.
- Installation by qualified electrician only.
- Parallel connection is mandatory for safe electrical operation. Serial connection of LED modules is discouraged. Unbalanced voltage drop in serial connection can cause hazardous overload
- Electrical contact is achieved with the contact cables or the terminals of the module. Please refer to the technical data for maximum number of LED modules that can be operated on one control gear.
- To avoid mechanical damage, the LED modules have to be attached securely to the intended mounting surface. It is recommended to avoid heavy vibration.
- LED modules are dimmable by means of PWM (pulse width modulation).