

Product datasheet

Mini-Zero

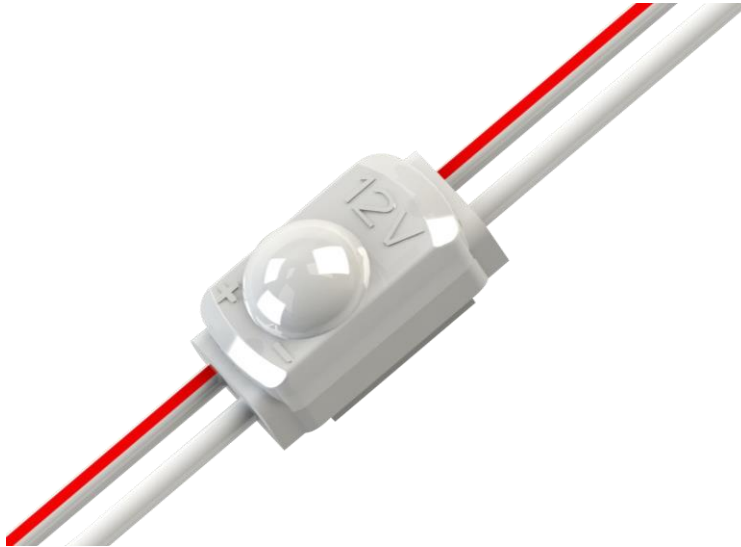
P/N: M21Gx04A

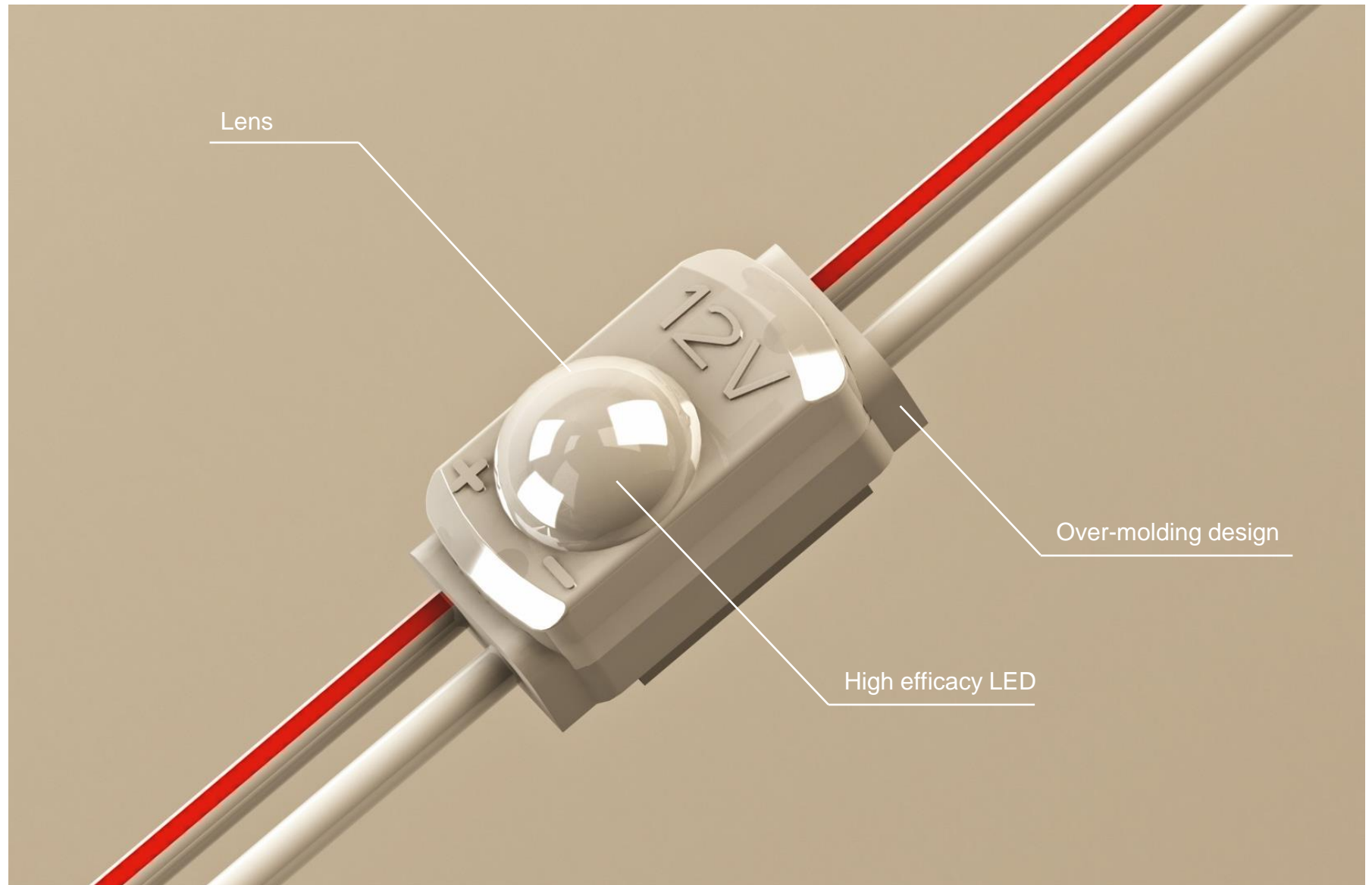
Areas of application

- Signage and illuminated advertising.
- Backlighting of channel letters and block letter.
- Best for 30mm to 100mm depth (1.2inch to 4inch).

Product main benefits

- Very tiny module size design (L12.8 x W6.2 x H6.8 mm) can be flexible in application but with complete design system as lens, water-proof and electrical design.
- IP67.
- 5 Years warranty.
- 3 SDCM.
- 165 lm/W.





PART NUMBERS	Typical Voltage	Energy Consumption (W/module)	Energy Consumption (W/chain)	Energy Consumption (W/ft.)	Additional Information (modules/chain)
M21Gx04A	12VDC	0.2	20	1.5	100

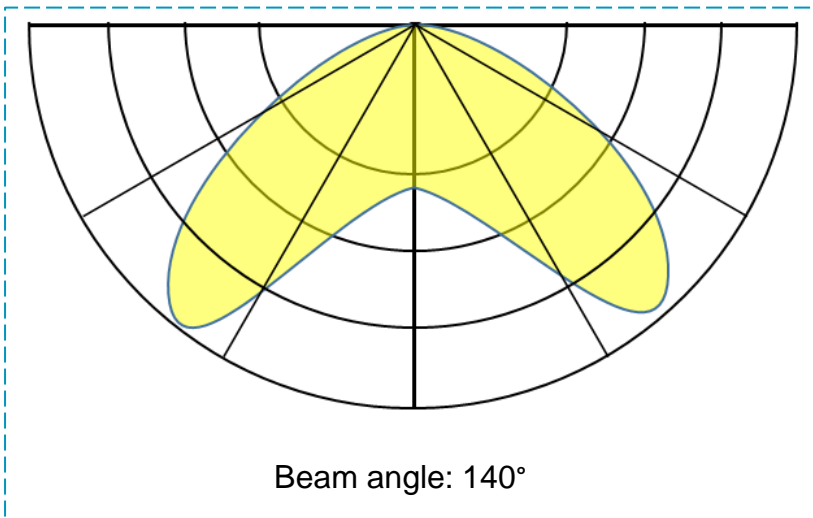
Remark:

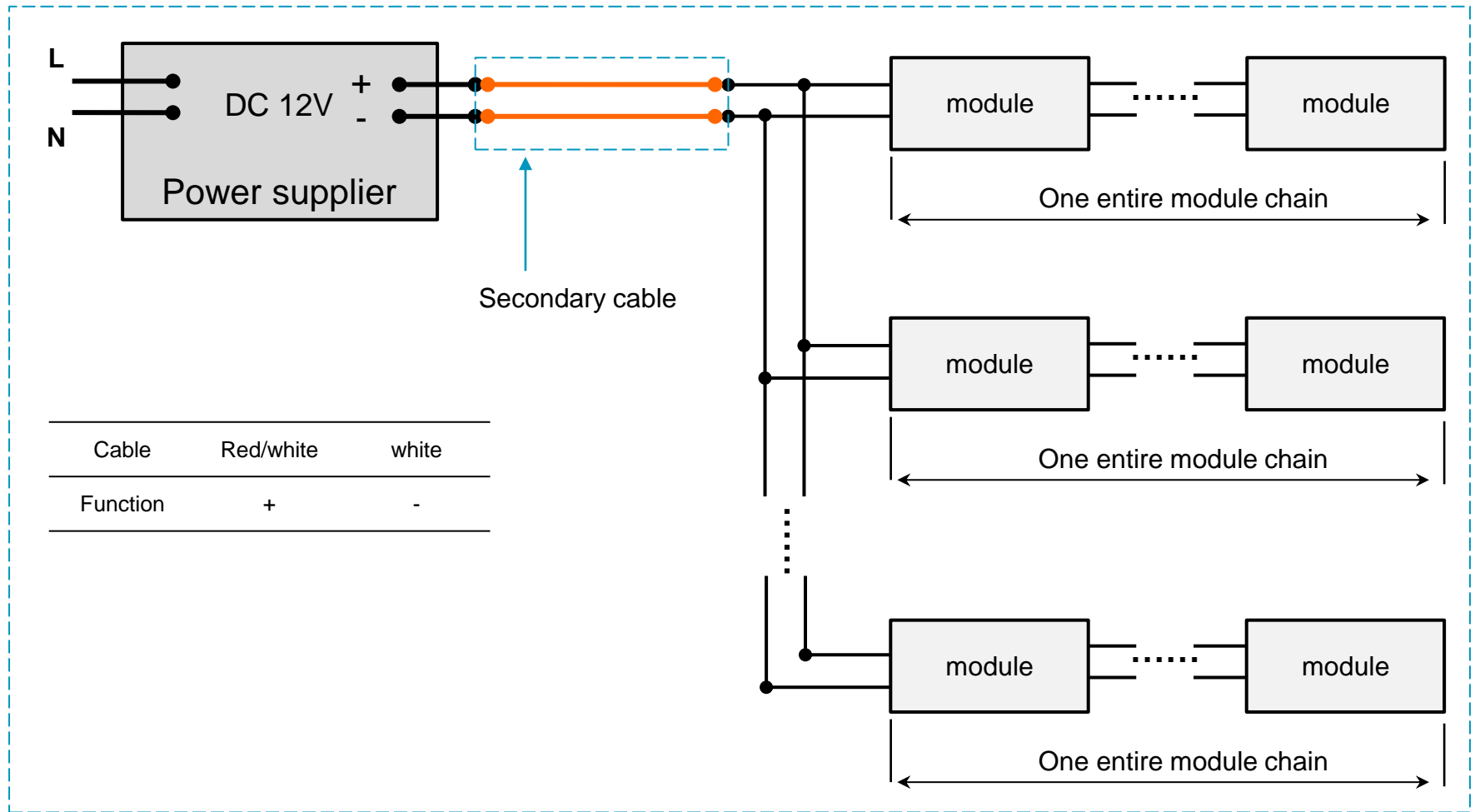
1. Ranking at $t_a = 25^\circ\text{C}$.
2. Constant voltage design.

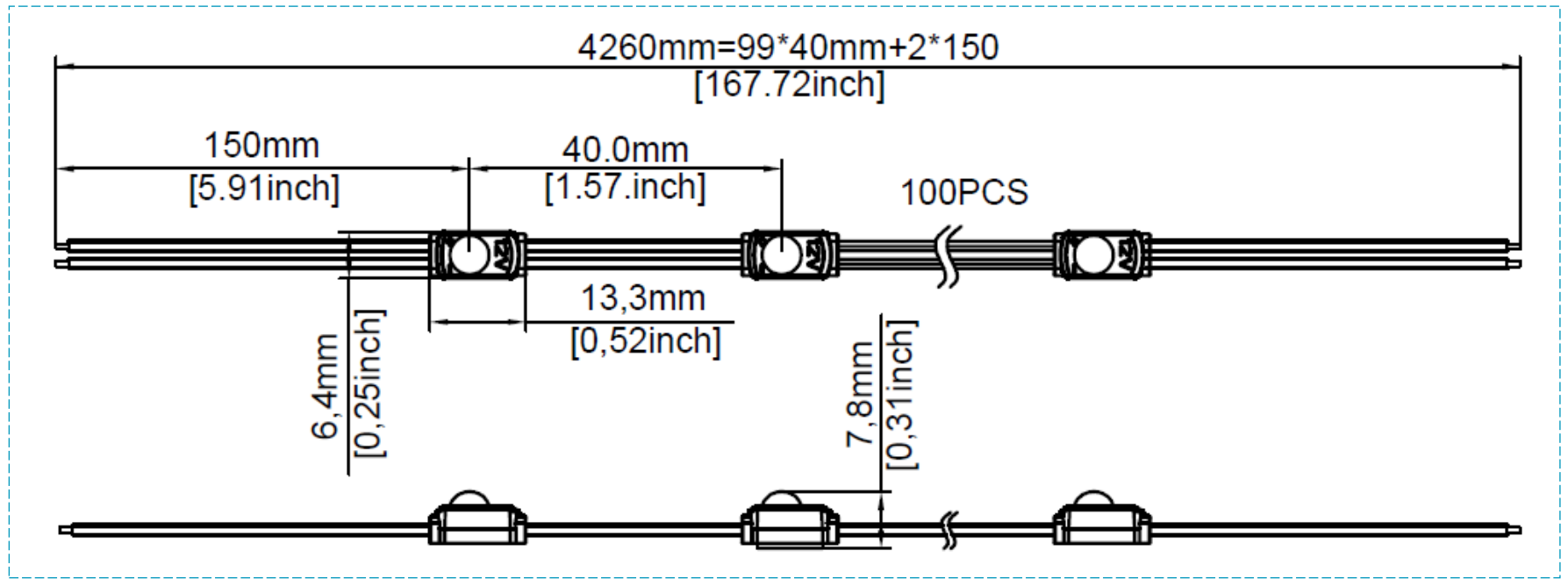
PART NUMBERS	Light color (designation)	Color (CCT, wavelength)	Typical Brightness (lumen/module)	Typical Brightness (lumen/chain)	Typical Brightness (lumen/ft.)
M21GN04A	Warm white	3000K/4000K	30	3000	229
M21GW04A	White	5000K/6500K/7100K	33	3300	252
M21GW04A	Cool White	8000K/10000K	30	3000	229
M21GR04A	Red	620-625 nm	3.5	350	27
M21GG04A	Green	520-525 nm	15	1500	114
M21GB04A	Blue	465-470 nm	3	300	23

1. Ranking at $t_a = 25^\circ\text{C}$.
2. Tolerance of measurements for brightness is $\pm 10\%$, tolerance of measurements for the Chromaticity Coordinate is ± 0.01 ; the tolerance of CCT should be calculated accordingly, $R_a > 80$.

Operating Environment (t_a)	-25°C to +55°C
Storage Temperature Range (t_s)	-40°C to +85°C
IP Rating	IP67
Lifetime (L70B50)	50,000 hours
t_c temperature	80°C
Dimming mode	Dimmable
Cutting Resolution	Cut on wire between every module







PART NUMBERS	Package unit (modules/carton box)	Carton box Dimensions (length x width x height)
M21Gx04A		

Additional information:

- Installation of LED modules (with power supplies) needs to be made under consideration of all valid regulations and norms.
- Installation by qualified electrician only.
- Parallel connection is mandatory for safe electrical operation. Serial connection of LED modules is discouraged. Unbalanced voltage drop in serial connection can cause hazardous overload
- Electrical contact is achieved with the contact cables or the terminals of the module. Please refer to the technical data for maximum number of LED modules that can be operated on one control gear.
- To avoid mechanical damage, the LED modules have to be attached securely to the intended mounting surface. It is recommended to avoid heavy vibration.
- LED modules are dimmable by means of PWM (pulse width modulation).