



5050RGBW KIT series flex strip

P/N: R060AH10Q-5M-KIT

R060AH10R-5M-KIT

Areas of application

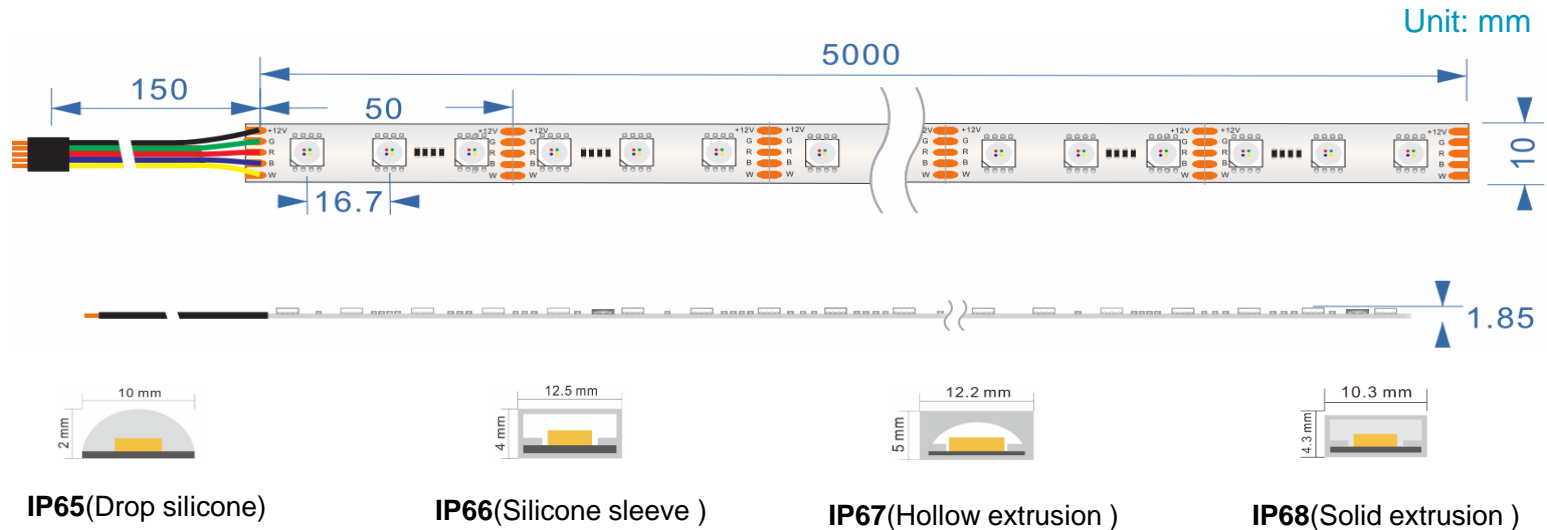
- Used in holiday lighting, decorative figures, event signs, displays, shop windows, storefronts, bars, streets, parks, porches, stairs, railings, building outlines, landscape lighting, entertainment themes and other places.



Product main benefits

- High quality 5050RGBW four in one LEDs.
- Low voltage DC12/24V constant voltage drive, safe and reliable.
- Various control methods such as infrared, bluetooth, WIFI (Tuya) controller and mobile APP can be selected.
- Product color, length, function, etc. can be customized by DIY.
- Color box packaging, complete accessories, easy to use, easy to install.



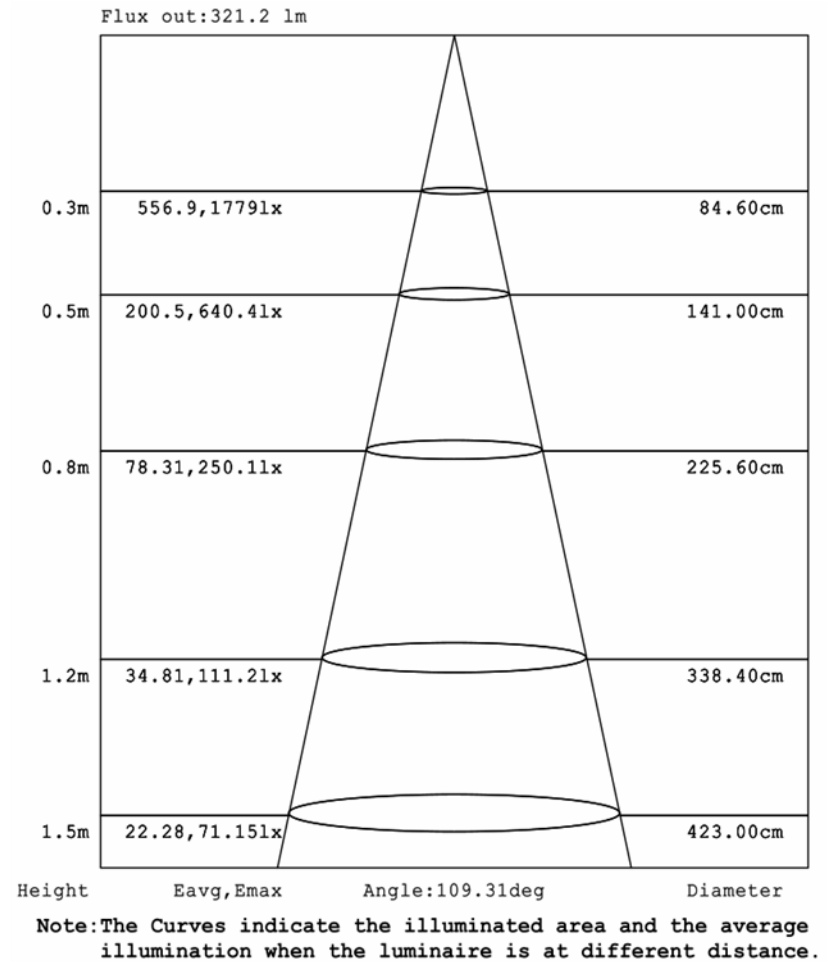
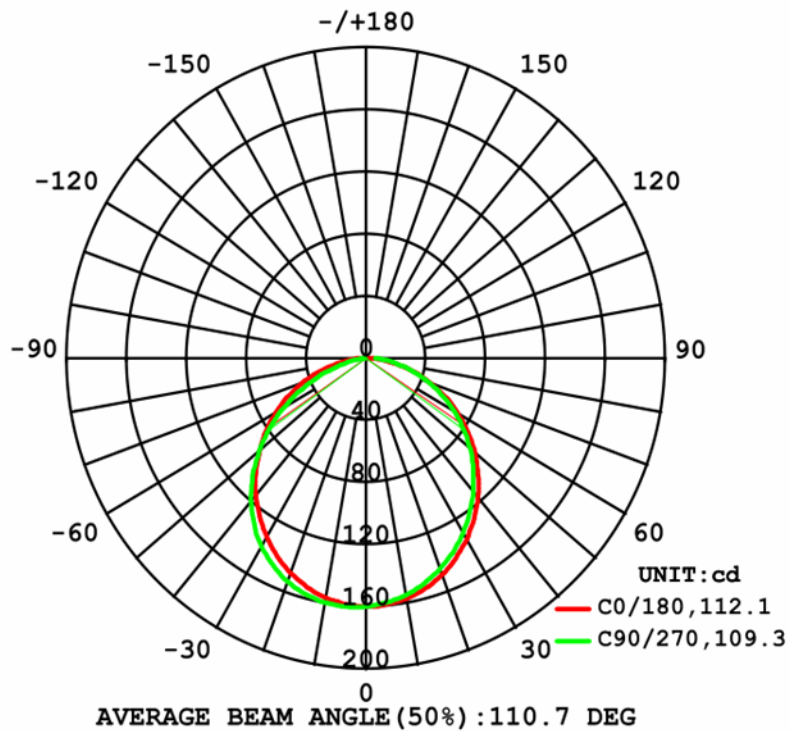


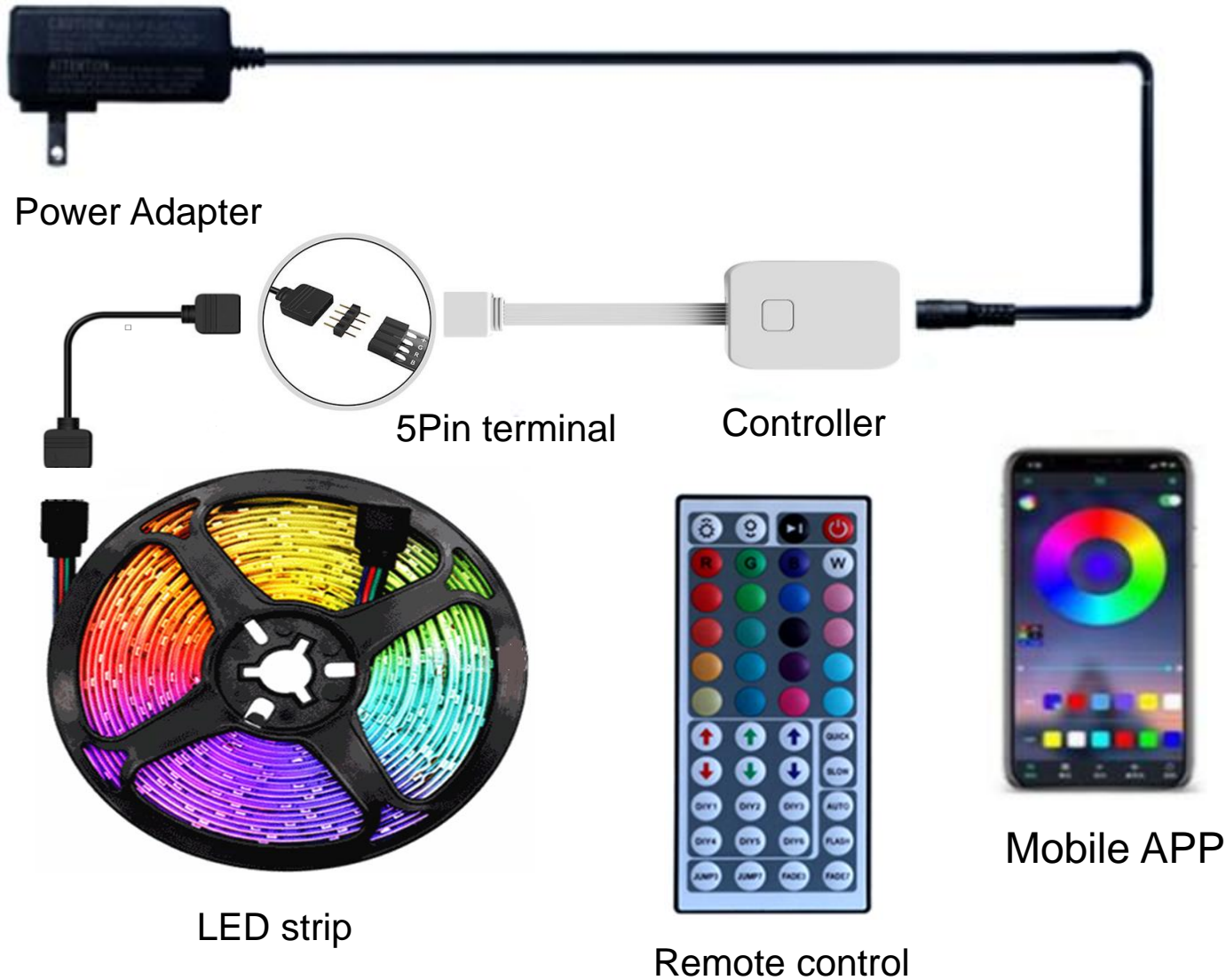
Product size	5000*10*1.85 mm
Cut-able unit	50/100mm
LED pitch	16.7mm
LED quantity	60 LEDs/m
Max. cascade length	5 m
Min. bend diameter	20 mm
Mounting solution	3M tape
Operating ambient	-25°C~45°C
Storage environment	-25°C~60°C / 60% RH

Product numbers	Input voltage	Rated current	Typical power	Color rendering index	Color/ CRI	Beam angle	Wavelength /temperature	Lumen	Luminous efficiency
R060AH10Q-5M-KIT R060AH10R-5M-KIT	DC 12/24V	125mA/62.5mA/m	1.5W/m	/	Red	120°	620~625nm	90lm	/
R060AH10Q-5M-KIT R060AH10R-5M-KIT	DC 12/24V	125mA/62.5mA/m	1.5W/m	/	Green	120°	520~525nm	160lm	/
R060AH10Q-5M-KIT R060AH10R-5M-KIT	DC 12/24V	125mA/62.5mA/m	1.5W/m	/	Blue	120°	460~470nm	75lm	/
R060AH10Q-5M-KIT R060AH10R-5M-KIT	DC 12/24V	125mA/62.5mA/m	1.5W/m	/	White	120°	/	130lm	/
R060AH10Q-5M-KIT R060AH10R-5M-KIT	DC 12/24V	375mA/188mA/m	4.5W/m	/	RGB	120°	/	300lm	/
R060AH10Q-5M-KIT R060AH10R-5M-KIT	DC 12/24V	500mA/250mA/m	6W/m	/	RGBW	120°	/	360lm	/

1. Ranking at $t_a = 25^\circ\text{C}$.
2. Tolerance of measurements for brightness is $\pm 10\%$, tolerance of measurements for the Chromaticity Coordinate is ± 0.01 .

LUMINOUS INTENSITY DISTRIBUTION DIAGRAM







Female
pin terminal



Male
pin terminal



Female pin
terminal wire



Male pin
terminal wire



USB plug cable



EU



US



AU



UK

Environmental and application condition

Operation temperature	-25°C~50°C
Storage temperature	-40°C~70°C
Maximum surface temperature (Tc)	65°C



Model NO.	Product Size	Inner Carton Size	Outer Carton Size	Packing Quantity	Gross Weight
R060AH10Q-KIT	5000*10*1.85mm	165*165*65mm	515*345*290mm	20bags	20kg
R060AH10R-KIT					

Supplementary Product Information

- Installation of LED modules (with power supplies) needs to be made under consideration of all valid regulations and norms.
- Installation by qualified electrician only.
- Please drive the led strip with isolated power, and the ripple of the constant voltage source should be less than 5%.
- Please do not bend the strip into an arc with a diameter less than 20mm to ensure the longevity and reliability.
- Do not fold it in case any damage of LED beads.
- Do not pull the power wire hard to ensure the longevity. Any crash may damage the colloidal surface is prohibited.
- Please make sure the wire is connected to the anode and cathode correctly. The power output should be consistent with the voltage of the strip to avoid damage.
- LED lights should be stored in dry, sealed environment. Please only unpack it before usage. Ambient temperature: $-20^{\circ}\text{C} \sim +40^{\circ}\text{C}$. Storage temperature: $-25^{\circ}\text{C} \sim +60^{\circ}\text{C}/60\%\text{RH}$.
- Please use the strips without waterproof within indoor environment with humidity less than 70%.
- Please be careful during operation. Do not touch the AC power supply in case of electric shock.
- Please leave at least 20% power for the power supply during using to ensure there is enough power supply to drive the product.
- Do not use any acid or alkaline adhesives to fix the product (e.g.: glass cement).