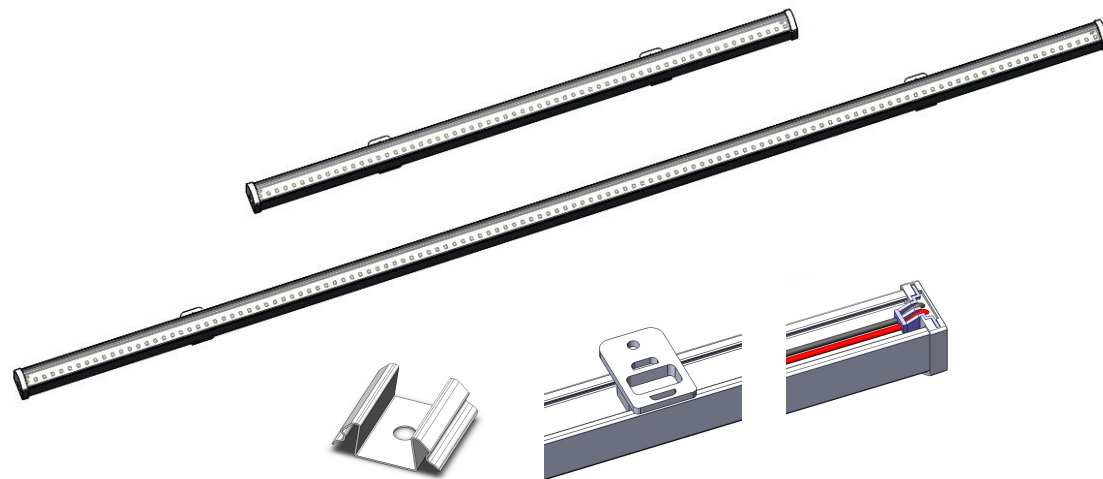


## Product datasheet

**MYNICE®**  
LED Signage Lighting

**YOUNICE®**  
LED Strip Linear Lighting



### HE\_OPTICS WASHER

P/N: Z828GX19E-0.3

Z856GX19E-0.6

Z8C6GX19E-1.2

Z8C6GX19E-2.4

### Areas of application

- Gas station, Wall washer

### Product main benefits

- **Integrated extrusion cover with optics,**
- UV-resistant PC material for all component, superior weather resistance,
- No dark area between tubes,
- Reliable wire connection thanks to anti-drag wire design,
- Integrated and sliding buckle design for easy installation,
- Stainless steel clip available,
- 5 Years warranty,
- IP66.



**EPISTAR**

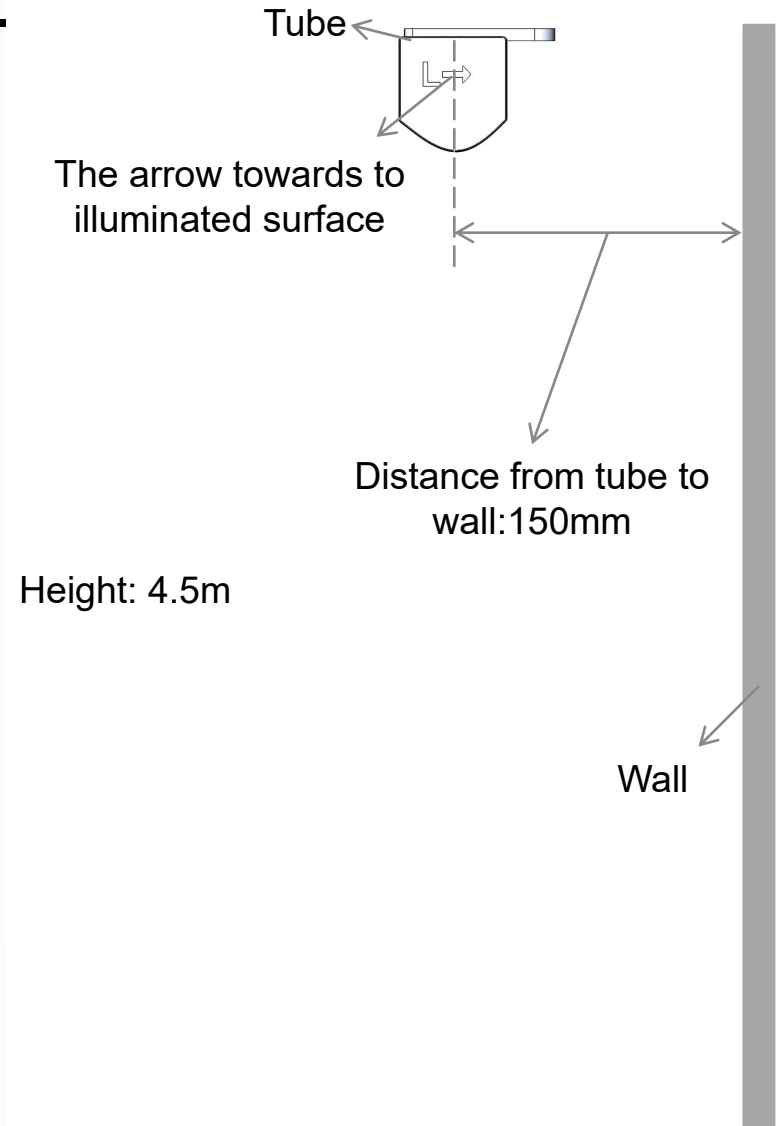
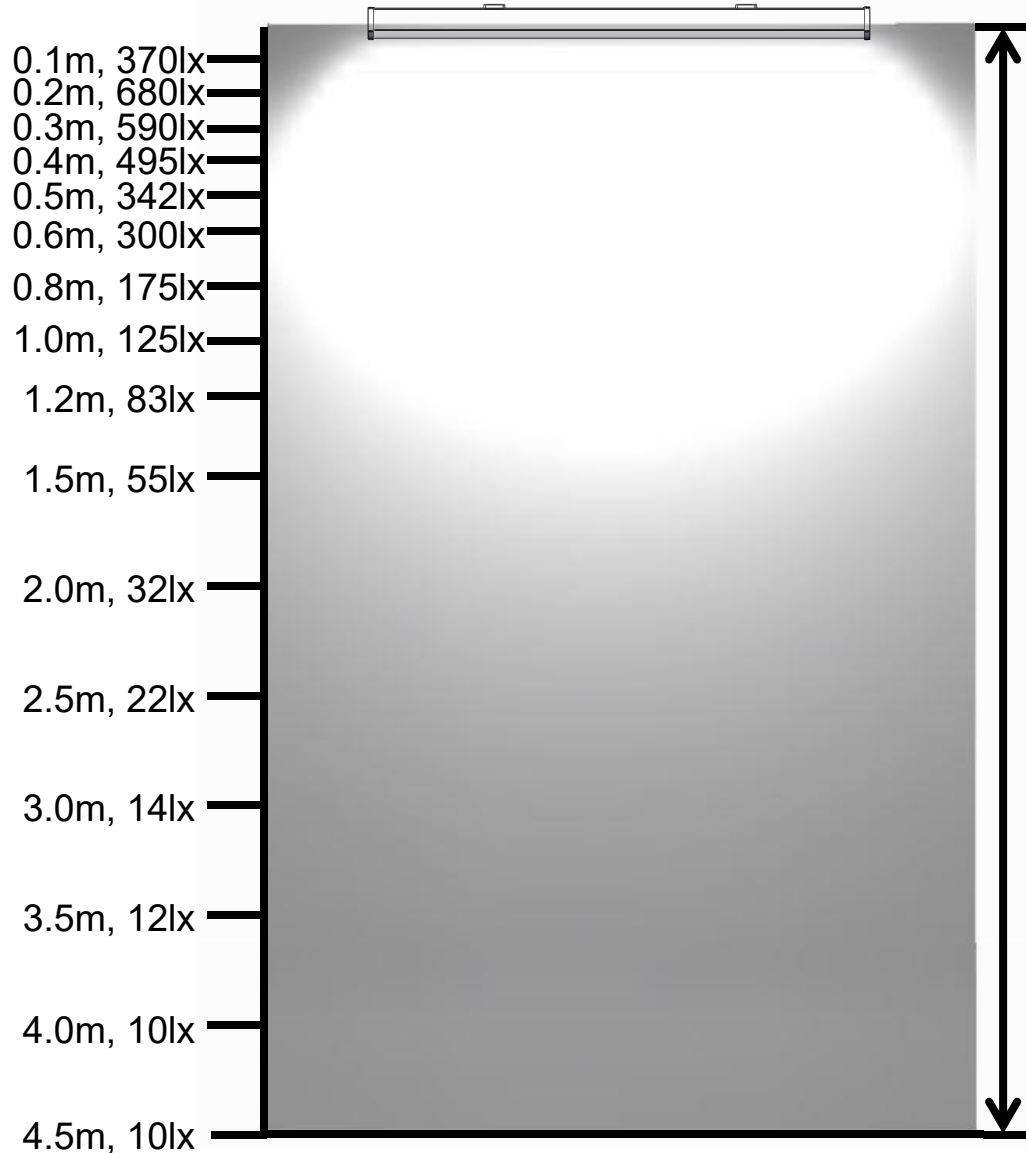
PART NUMBERS	Typical Voltage	Energy Consumption	Energy Consumption/ft	Qty. connection(max.)
Z828GW19E-0.3	24VDC	3.75W	3.75W	16pcs
Z856GW19E-0.6	24VDC	7.5W	3.75W	8pcs
Z8C6GW19E-1.2	24VDC	15.0W	3.75W	4pcs
Z8C6GW19E-2.4	24VDC	30.0W	3.75W	2pcs
Z828GR19E-0.3	24VDC	3.75W	3.75W	16pcs
Z856GR19E-0.6	24VDC	7.5W	3.75W	8pcs
Z8C6GR19E-1.2	24VDC	15.0W	3.75W	4pcs
Z8C6GR19E-2.4	24VDC	30.0W	3.75W	2pcs

Remark:

1. Ranking at  $t_a = 25^\circ\text{C}$ .
2. Constant voltage design.

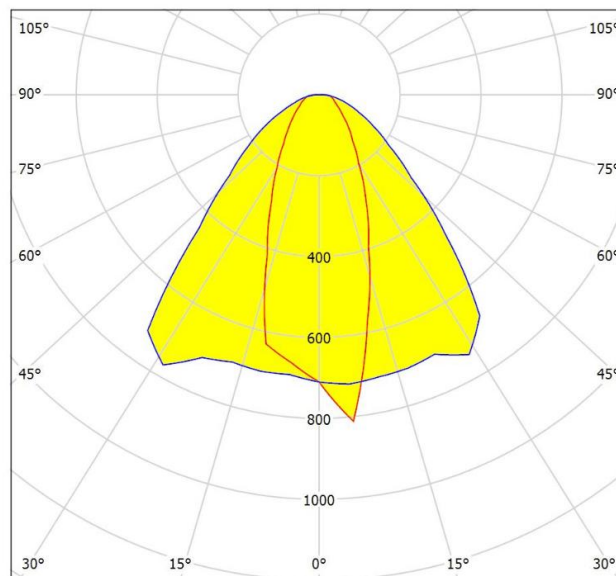
PART NUMBERS	Light color (designation)	Color (CCT, wavelength)	Typical Brightness (lumen/pcs)	Typical Brightness (lumen/ft.)
Z828GW19E-0.3	White	6500K	480	480
Z856GW19E-0.6	White	6500K	950	480
Z8C6GW19E-1.2	White	6500K	1850	480
Z8C6GW19E-2.4	White	6500K	3700	480
Z828GR19E-0.3	Red	620-625nm	125	125
Z856GR19E-0.6	Red	620-625nm	250	125
Z8C6GR19E-1.2	Red	620-625nm	500	125
Z8C6GW19E-2.4	Red	620-625nm	1000	125

1. Ranking at  $t_a = 25^\circ\text{C}$ .
2. Tolerance of measurements for brightness is  $\pm 10\%$ , tolerance of measurements for the Chromaticity Coordinate is  $\pm 0.01$ ; the tolerance of CCT should be calculated accordingly,  $R_a > 70$ .

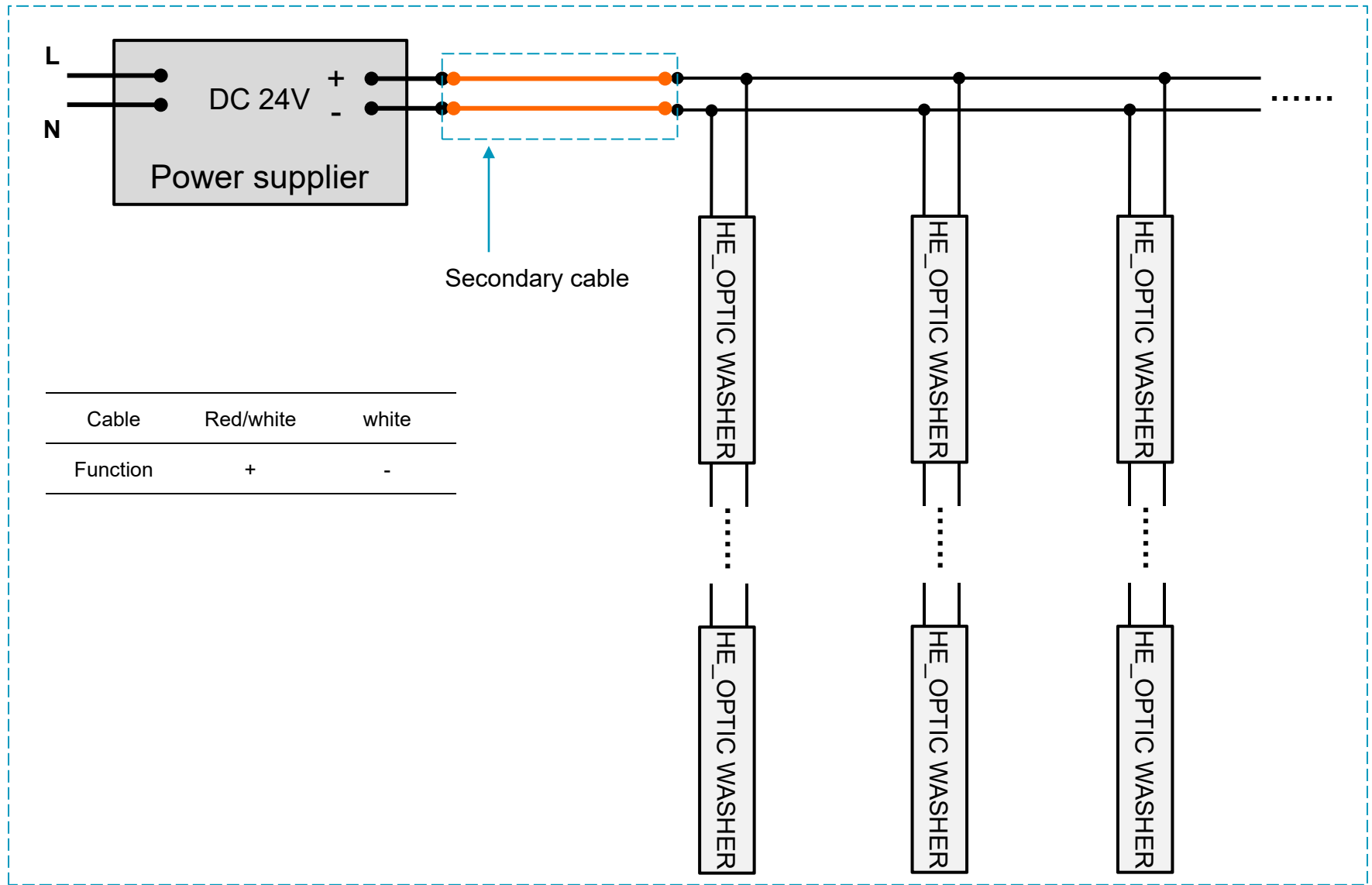


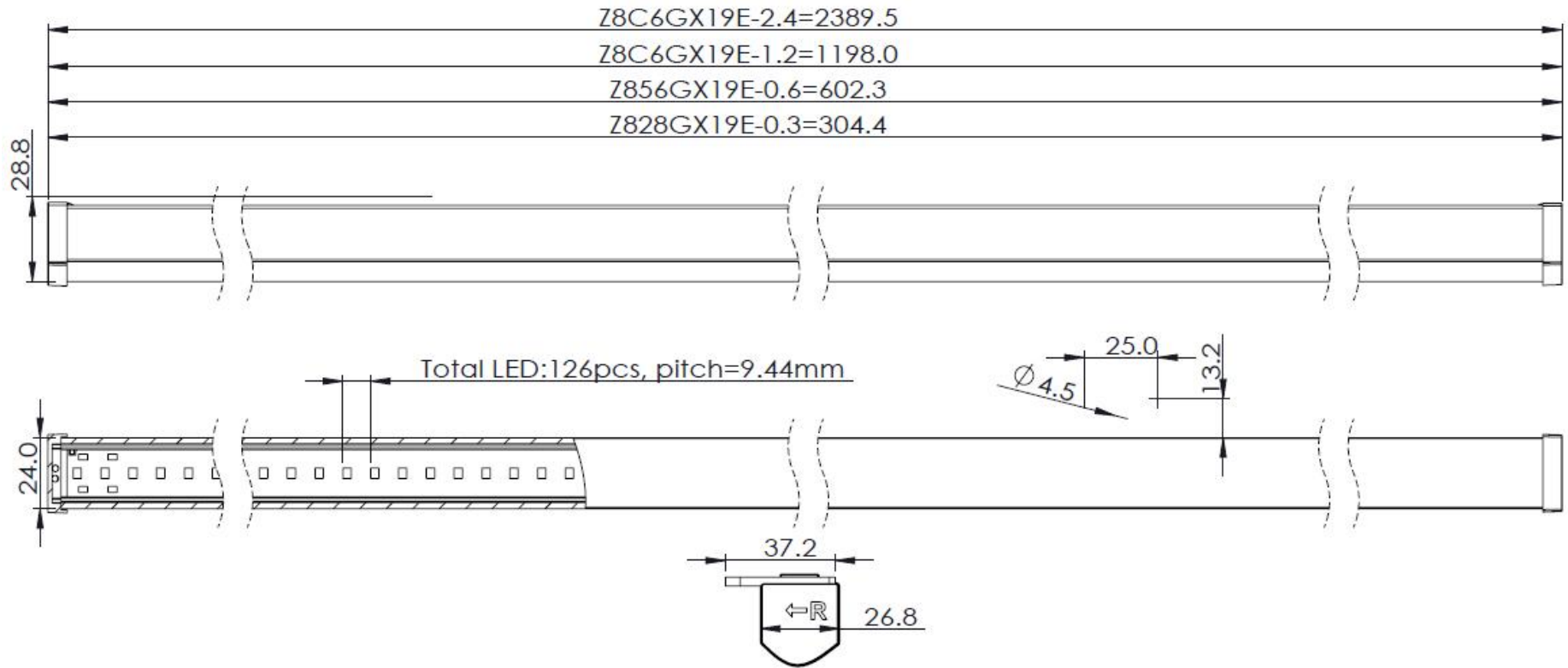
# Application Conditions and light distribution

Operating Environment ( $t_a$ )	-25°C to +60°C
Storage Temperature Range ( $t_s$ )	-40°C to +85°C
IP Rating	IP66
Lifetime (L70B50)	50,000 hours
$t_c$ temperature	80°C
Dimming mode	Dimmable



Beam angle: 40°X90°





Units: mm

PRODUCTS	PART NUMBERS	Package unit (modules/carton box)	Carton box Dimensions (length x width x height)
HE_OPTIC WASHER	Z828GX19E-0.3	48	1265x205x155mm
	Z856GX19E-0.6	24	1265x205x155mm
	Z8C6GX19E-1.2	12	1265x205x155mm
	Z8C6GX19E-2.4	12	2465x205x155mm

## Additional information:

- Installation of LED light tubes (with power supplies) needs to be made under consideration of all valid regulations and norms.
- Installation by qualified electrician only.
- Parallel connection is mandatory for safe electrical operation. Serial connection of LED light tube is discouraged. Unbalanced voltage drop in serial connection can cause hazardous overload
- Electrical contact is achieved with the contact cables or the terminals of the light bars. Please refer to the technical data for maximum number of LED light tubes that can be operated on one control gear.
- To avoid mechanical damage, the LED light tubes have to be attached securely to the intended mounting surface. It is recommended to avoid heavy vibration.
- LED light tubes are dimmable by means of PWM (pulse width modulation).